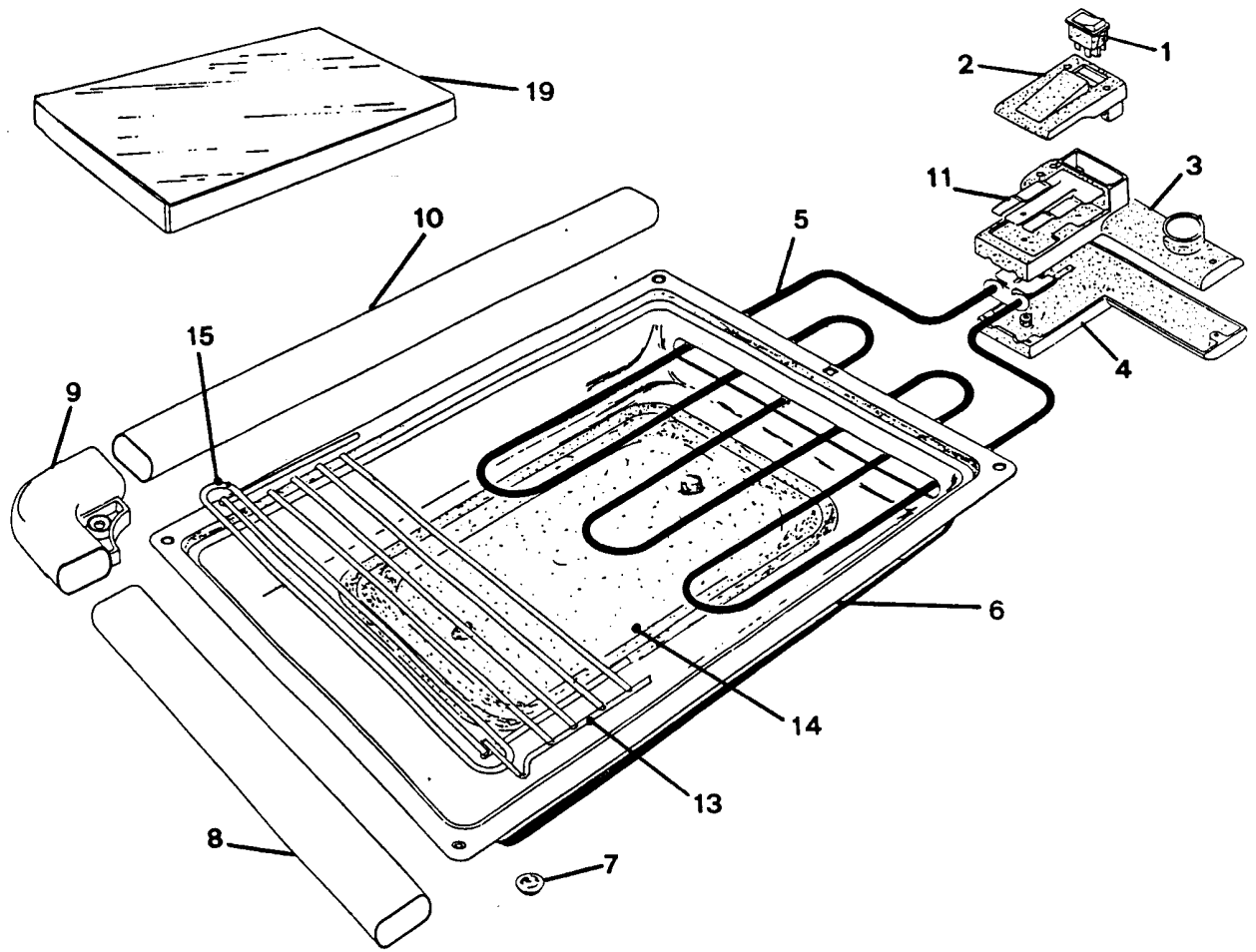




0-091001

SIMAC "INT"

TB 660



Position	Code	description
	SC1902203	INSTRUCTION BOOK
	TR1023	CARTON PACKAGING
01	TR1000	SWITCH
02	TR1001	SUPPORT
03	TR1002	PROTECTION Upper
04	TR1014	PROTECTION LOWER
05	ES000	*NOT AVAILABLE
06	TR1016	TRAY
07	TR1006	RUBBER PAD
08	TR1007	PROFILE
09	TR1008	COUPLING
10	TR1017	PROFILE
11	TR1010	SPRING
13	TR1018	WIRE RACK
14	TR1019	TRAY
15	TR1020	FRAME