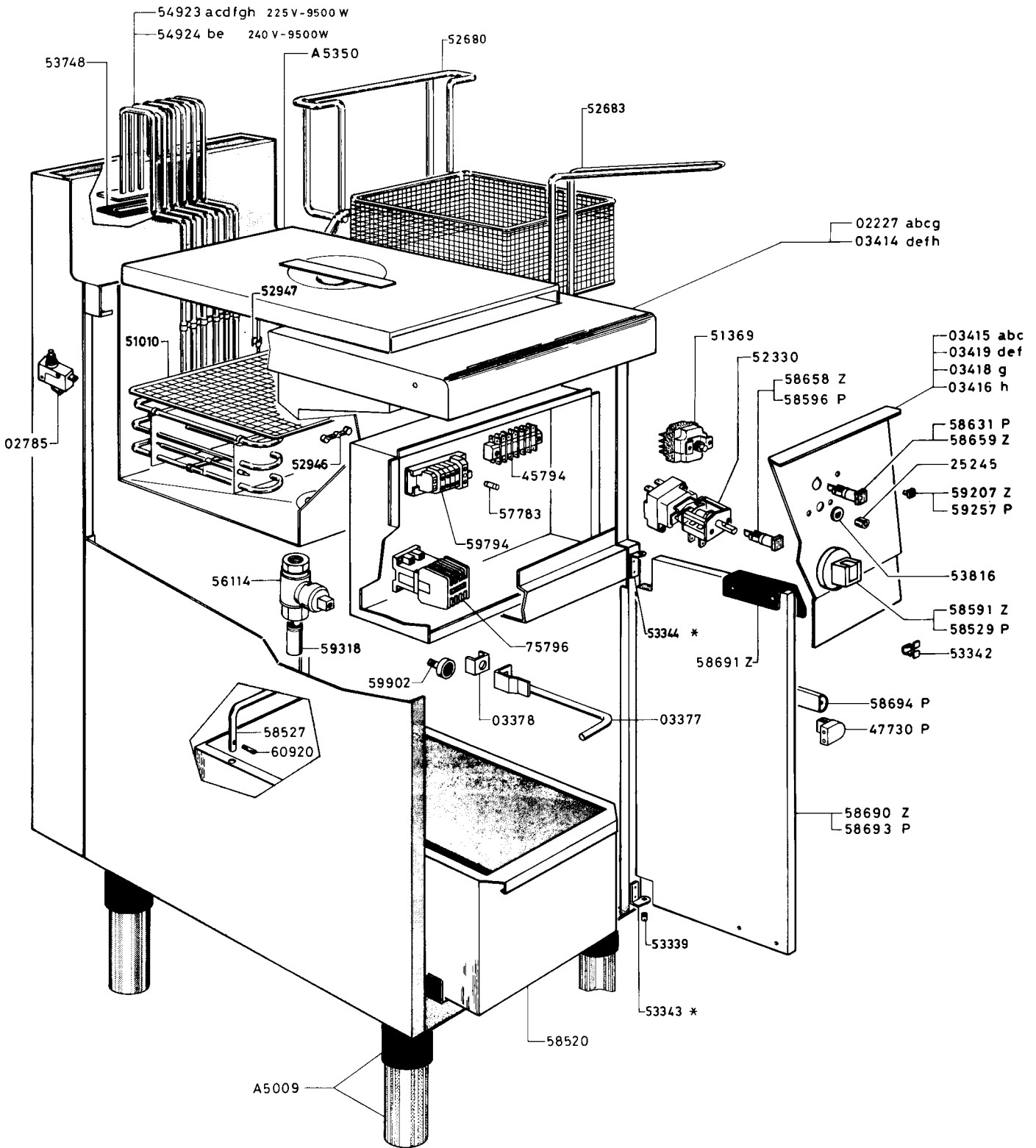


"700" FRIGGITRICE MONOBLOCCO ELETTRICA ELECTRIC MONOBLOCK FRYER						RIF Da matricola REF from serial NR
a	b	c	d	e	f	247.....
161921 MFR/E 355	161922 MFR/E 355UK	161923 MFR/E 355 D	161924 MFR/E 705	161925 MFR/E 705UK	161926 MFR/E 705 D	to 539
Revised 09-93						207.11-0



* 53343 INFER. DX.-SUPER. SX./LOWER RIGHT-UPPER LEFT
 * 53344 SUPER. DX.-INFER. SX./UPPER RIGHT-LOWER LEFT

"700" FRIGGITRICE MONOBLOCCO ELETTRICA FREE STANDING ELECTRIC FRYER							Z - P	RIF. Da matricola REF. from serial N°
								540....
a	b	c	d	e	f	g	h	l
161921	161922	161923	161924	161925	161926	171516	171521	
MFR/E 355	MFR/E 355UK	MFR/E 356	MFR/E 705	MFR/E 705UK	MFR/E 706	RFR/E 356	RFR/E 701	

Revised 96-01

Pag. 1/1 2-01706