

ELECTRIC FRYER 15 L
FRIGGITRICE ELETTRICA 15 L

PNC	Model	Ref.	Page	Notes
168864	MFR/E 1S14	a	1	Friggitrice Zanussi 15 L freestanding
168865	MFR/E 2D14	b	1	Friggitrice Zanussi 15 + 15 L freestanding
168064	RFR/E 1S14	e	1	Friggitrice Electrolux 15 L freestanding
168065	RFR/E 2D14	f	1	Friggitrice Electrolux 15 +15 L freestanding

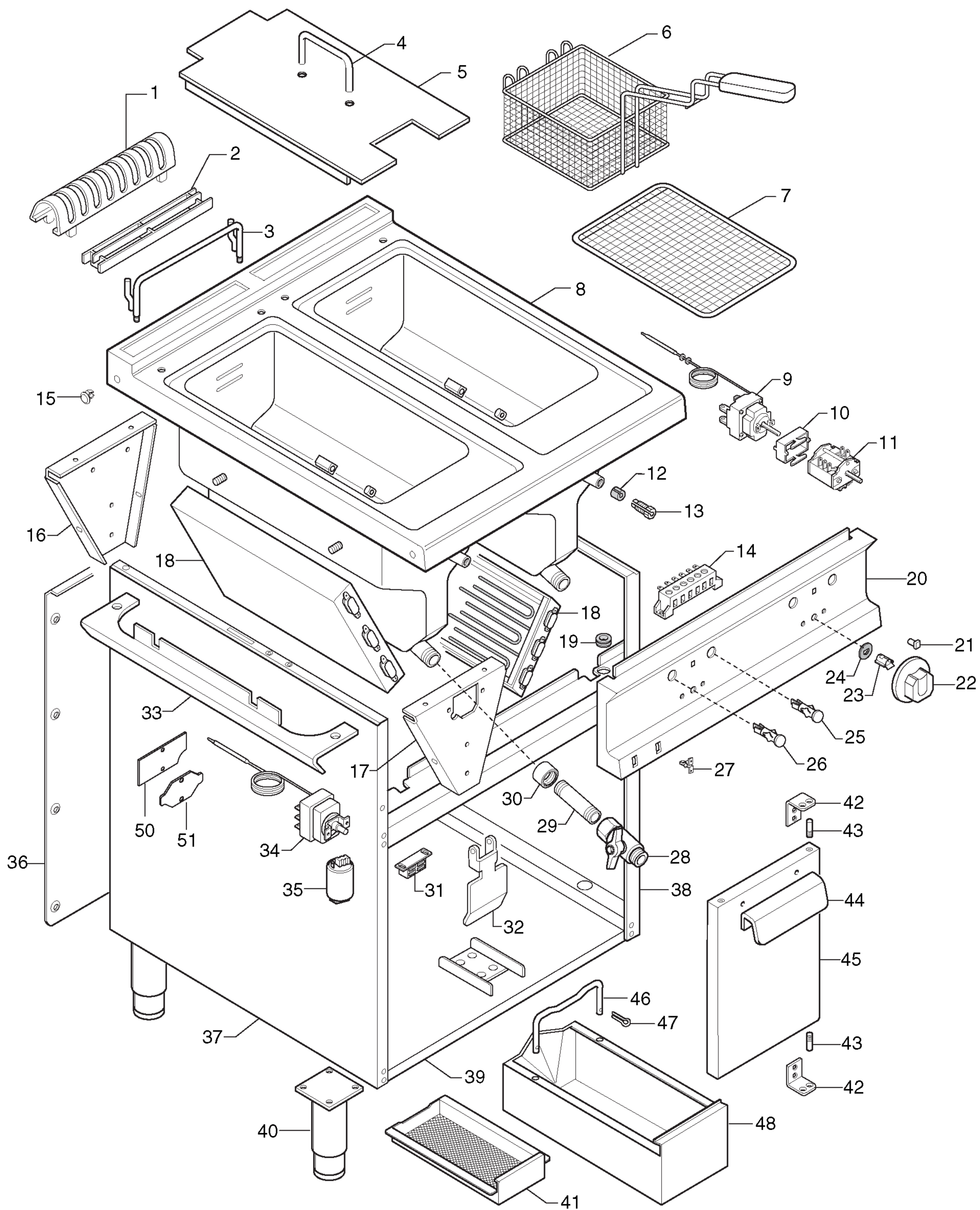
Index

Pag. 1 Tank - shelf and components
 2-3 Spare parts list

Indice

Ripiano - vasca e componenti
 Lista ricambi

Brand / Marchio : Z - E
Factory code: 9PDX



ELECTRIC FRYER 15 L
FRIGGITRICE ELETTRICA 15 L FREESTANDING