

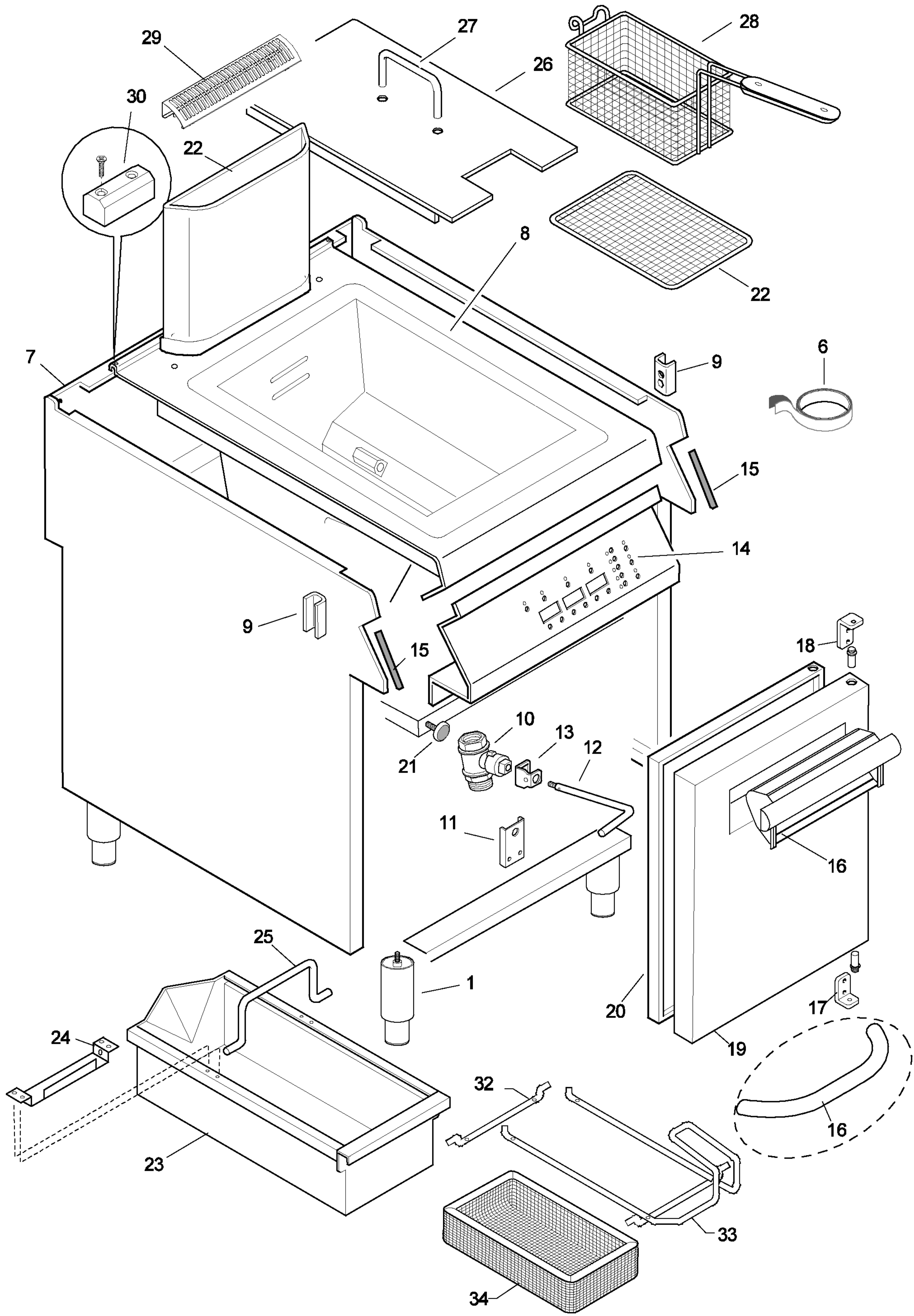


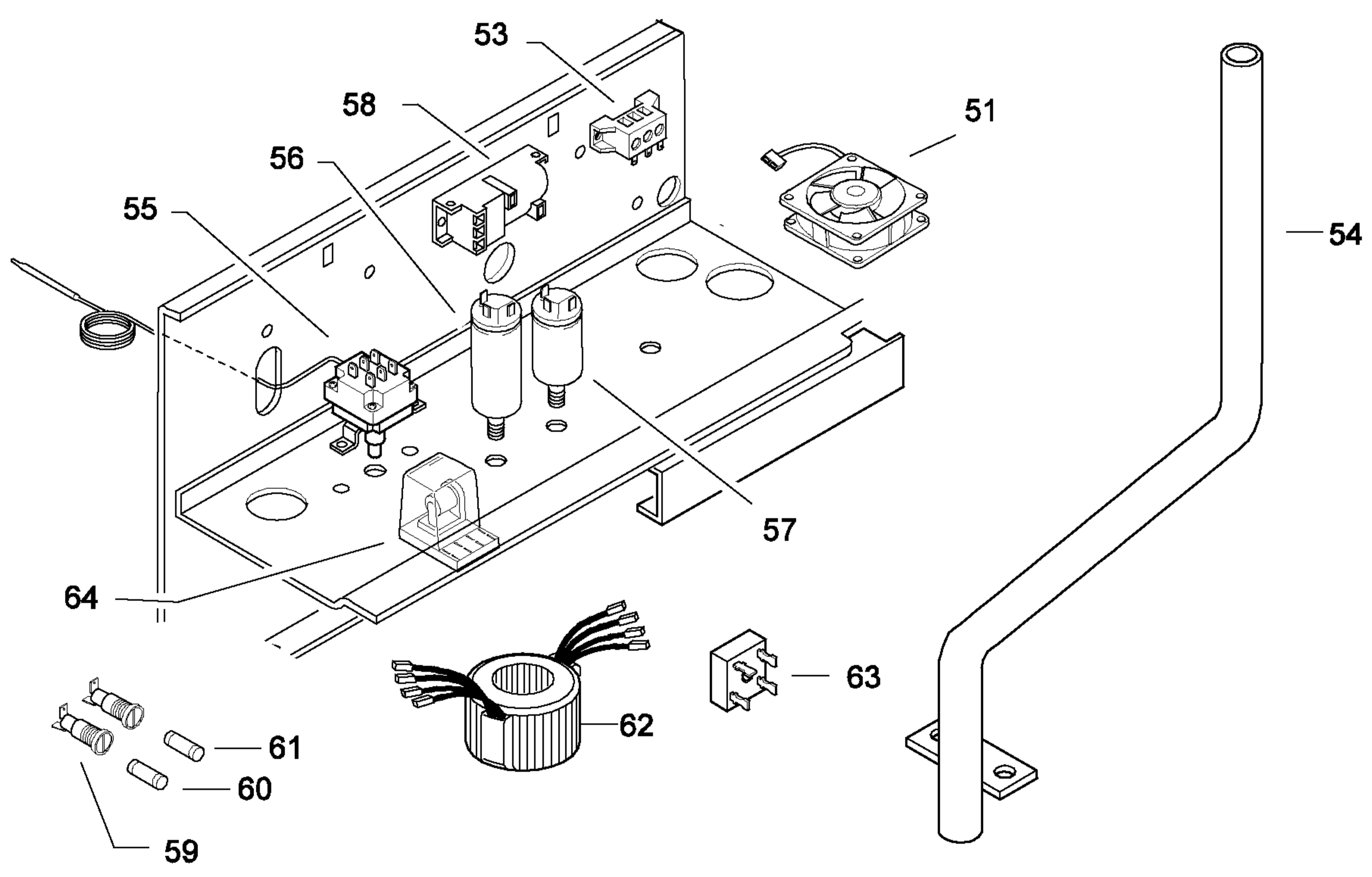
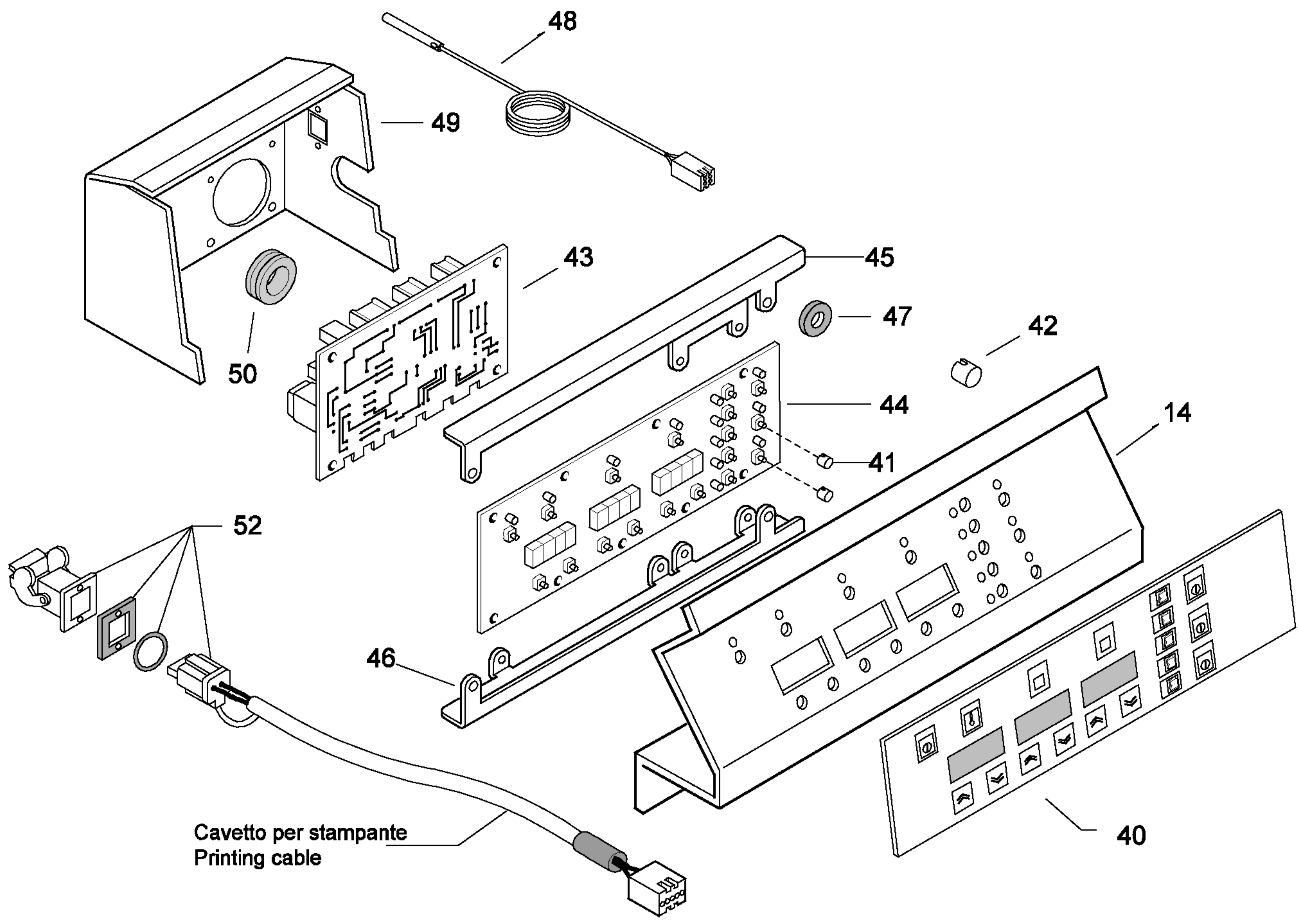
SPARE PARTS CATALOGUE
 CATALOGO PARTI DI RICAMBIO
FRIGGITRICI GAS ELETTRONICHE 23L E900XP
GAS ELECTRONIC FRYERS 23L E900XP

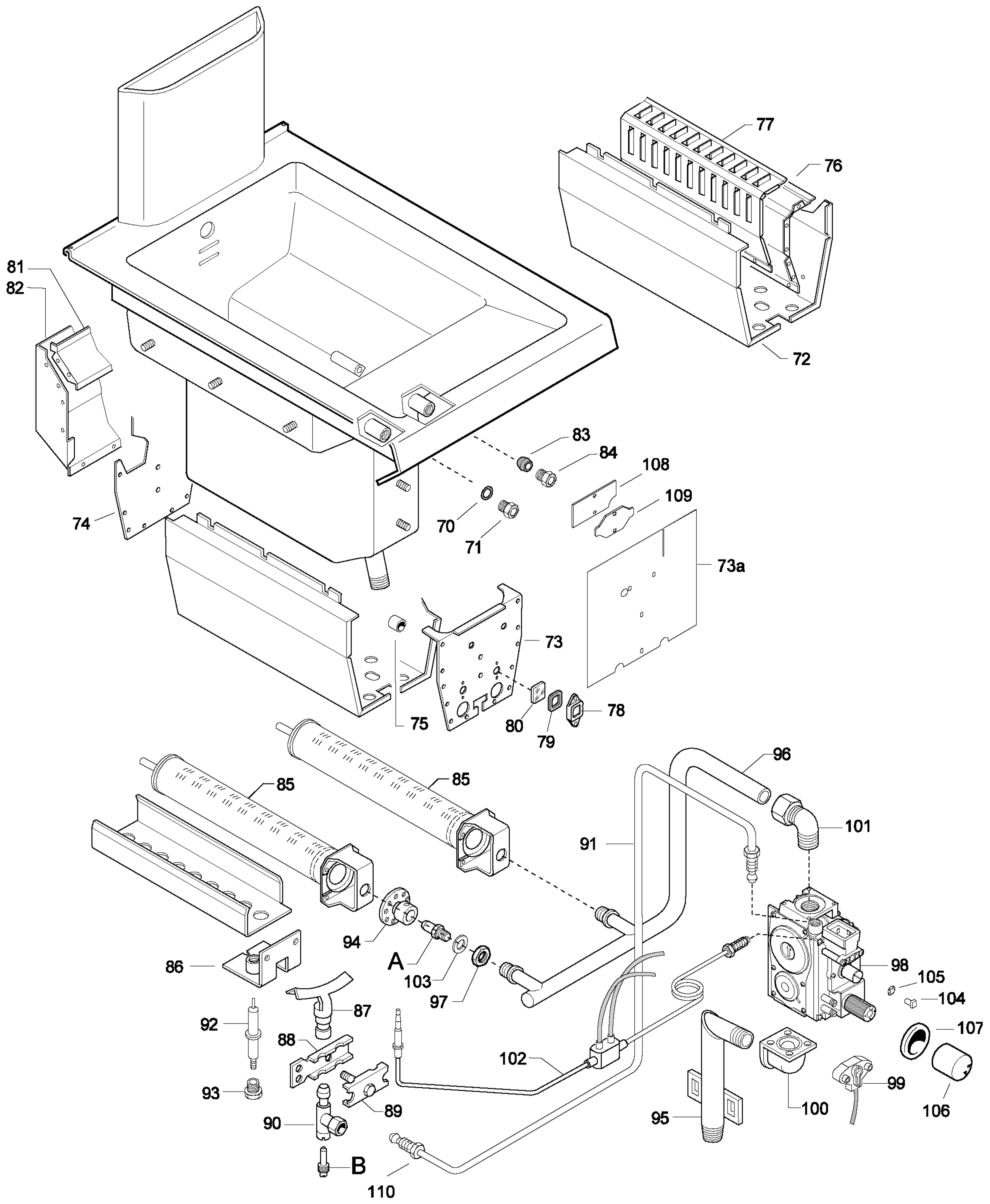
PNC	Model	Ref	Pag.	Brand	Version	Notes
391081	E9FRGD1JFE	a	2-5	ELX	GAS	23LT ELECTRONIC CONTROL
391082	E9FRGD1JFO	b	2-5	ELX	GAS	23LT ELECTR.CONTROL+OIL FILTER
391083	E9FRGD1JFP	c	2-5	ELX	GAS	23L PROG.-ELEC.CONTR+OIL FILT.
392081	Z9FRGD1JFE	d	2-5	ZAN	GAS	23LT ELECTRONIC CONTROL
392082	Z9FRGD1JFO	e	2-5	ZAN	GAS	23LT ELECTR.CONTROL+OIL FILTER
392083	Z9FRGD1JFP	f	2-5	ZAN	GAS	23L PROG.-ELEC.CONTR+OIL FILT.
393081	A9FRGD1JFE	g	2-5	OEM	GAS	23LT ELECTRONIC CONTROL
393082	A9FRGD1JFO	h	2-5	OEM	GAS	23LT ELECTR.CONTROL+OIL FILTER
393083	A9FRGD1JFP	i	2-5	OEM	GAS	23LT PROGRAMMABLE-ELEC.CONTR+O

Pag	Index	Indice	Note
2	General componets	Componenti struttura	
3	Electric Components	Componenti elettrici	
4	Gas components	Componenti Gas	
5	Electric Components	Componenti elettrici	
6,7,8	Spare parts list	Lista ricambi	

Brand/Marchio: All
 Factory code: 9PDX

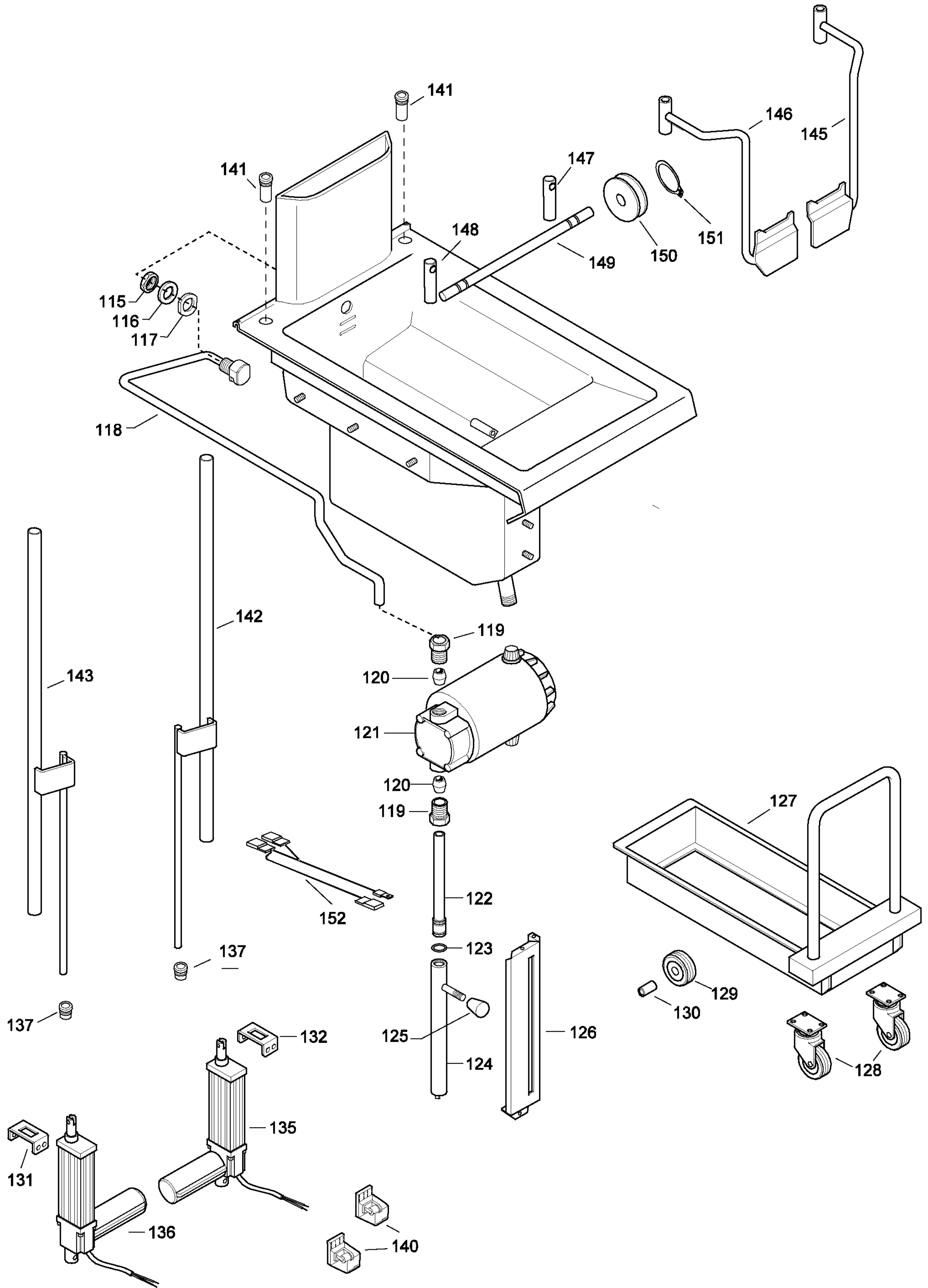






B - Ugello pilota / Pilot nozzle	
6DGT Code	Ref./ Notes
003327	n°40 2H/2E+ G20 20mbar
003327	n°40 2ELL G25 20mbar
003327	n°40 2L G25 25mbar
058525	n°30 3+3B/P G30/31 28-30/37mbar
REG / ADJ	n°70 No CE G20 10mbar
REG / ADJ	n°25 No CE G110 8mbar

A - Ugello bruciatore / Burner nozzle	
6DGT Code	Ref. / Notes
006419	ø2.90 2H/2E+ G20 20mbar
054084	ø3.20 2ELL G25 20mbar
054084	ø3.20 2L G25 25mbar
003723	ø1.75 3+3B/P G30/31 28-30/37mbar
055388	ø3.30 No CE G20 10mbar
059365	ø5.50 No CE G110 8mbar



FRIGGITRICI GAS ELETTRONICHE 23L E900XP
GAS ELECTRONIC FRYERS 23L E900XP

PNC	MODEL	Ref	Description
391287	E9FRGD1J4E	A	23LT GAS FRYER ELECTRONIC CONTROL
391288	E9FRGD1J4O	B	23LT GAS FRYER-ELECTR.CONTROL+OIL FILTER
391289	E9FRGD1J4P	C	23LT GAS FRYER-PROG.-ELEC.CONTR+OIL FILT

Index

Components / Componenti
 Gas nozzels / Ugelli gas
 Spare part lists / liste ricambi

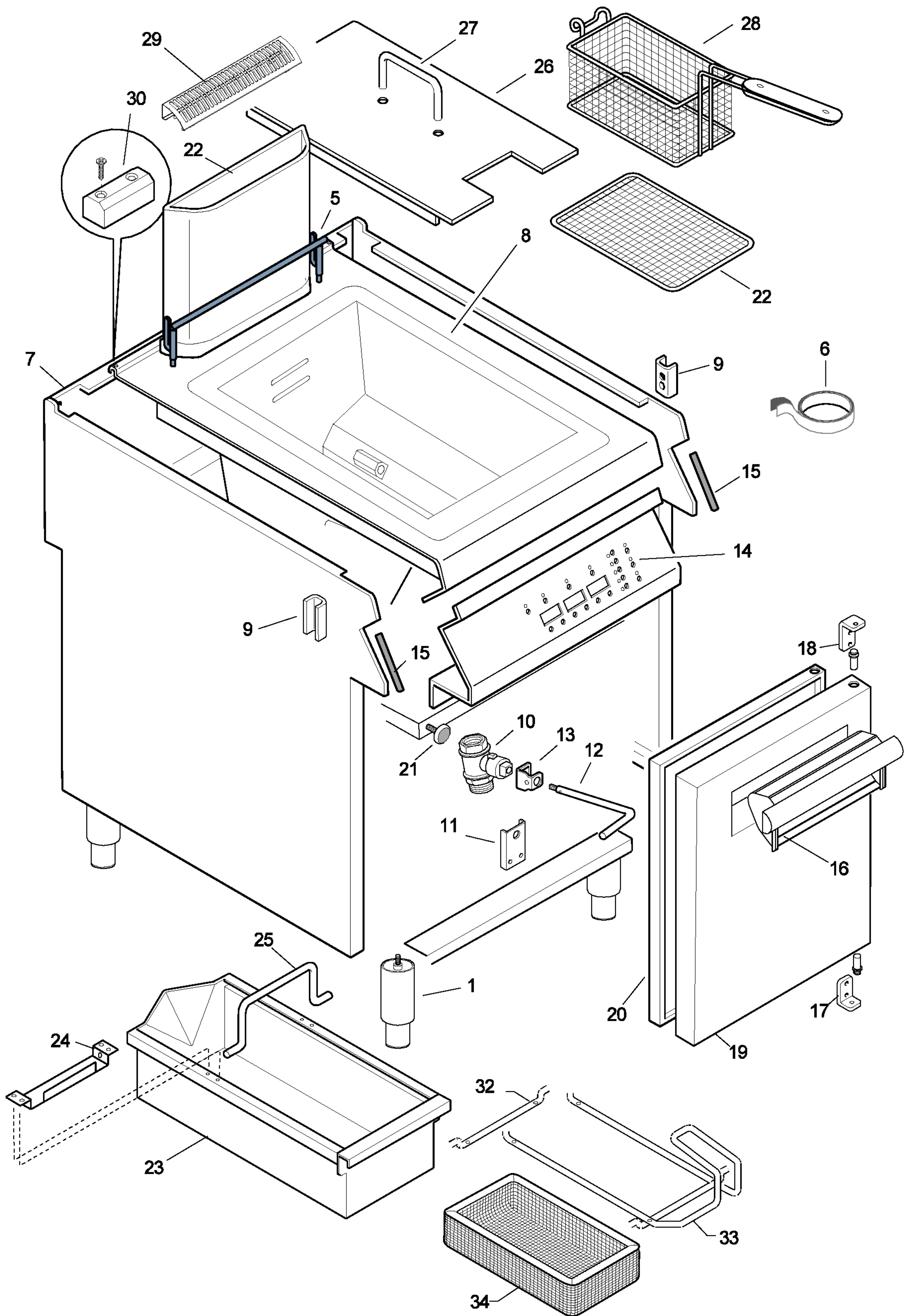
Pag

2,3,4,5
 6
 6,7,8

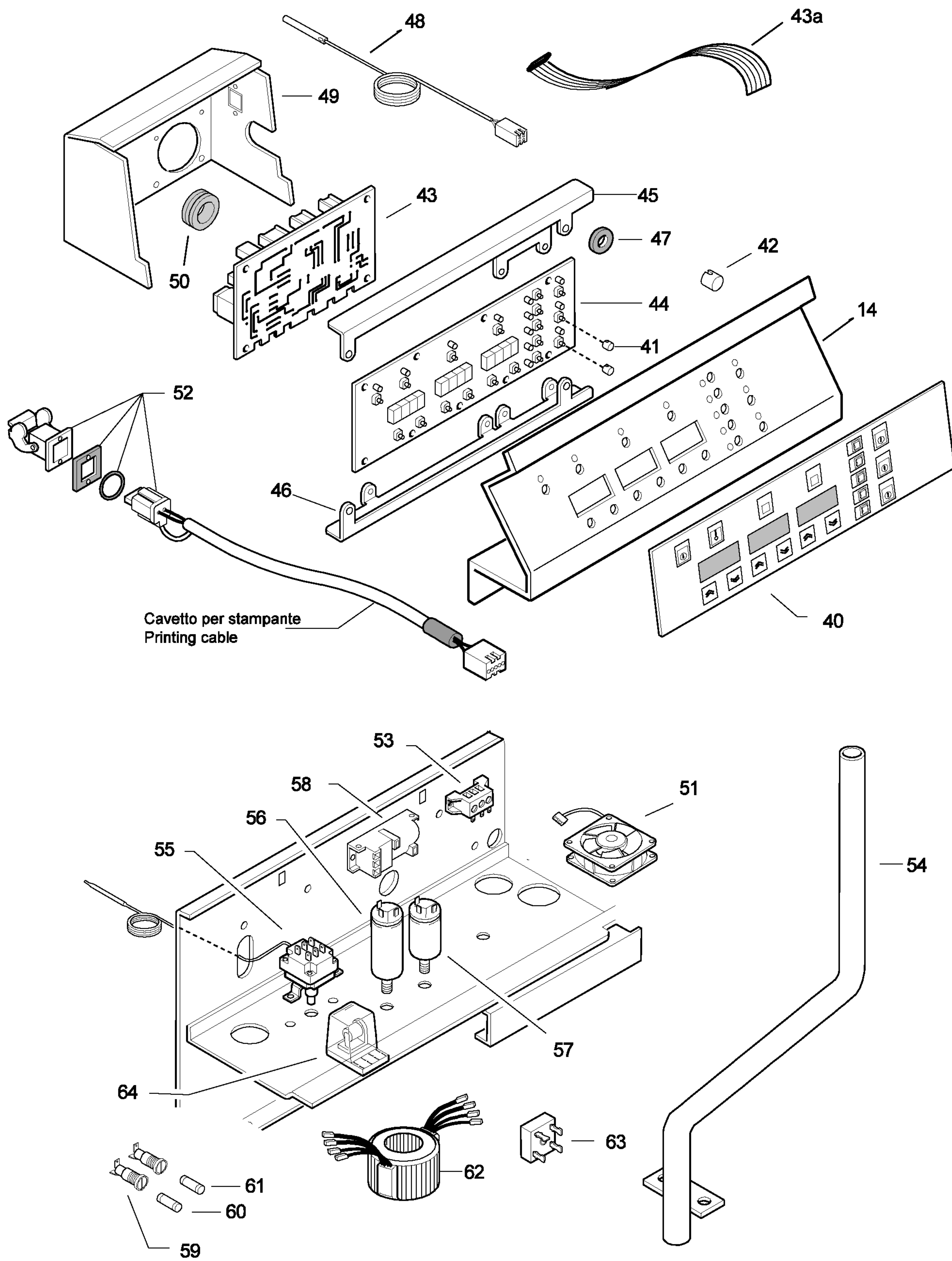
NOTE: 60Hz**BOLD: Last Change/ Grassetto= ultima modifica**

From Ser. Nr. Up to Ser. Nr.	Ed. document publication . 2016 – 03 Ed. page revision 2016 - 03	Page 1	Doc. N° 59785U800
---------------------------------	---	--------	--------------------------

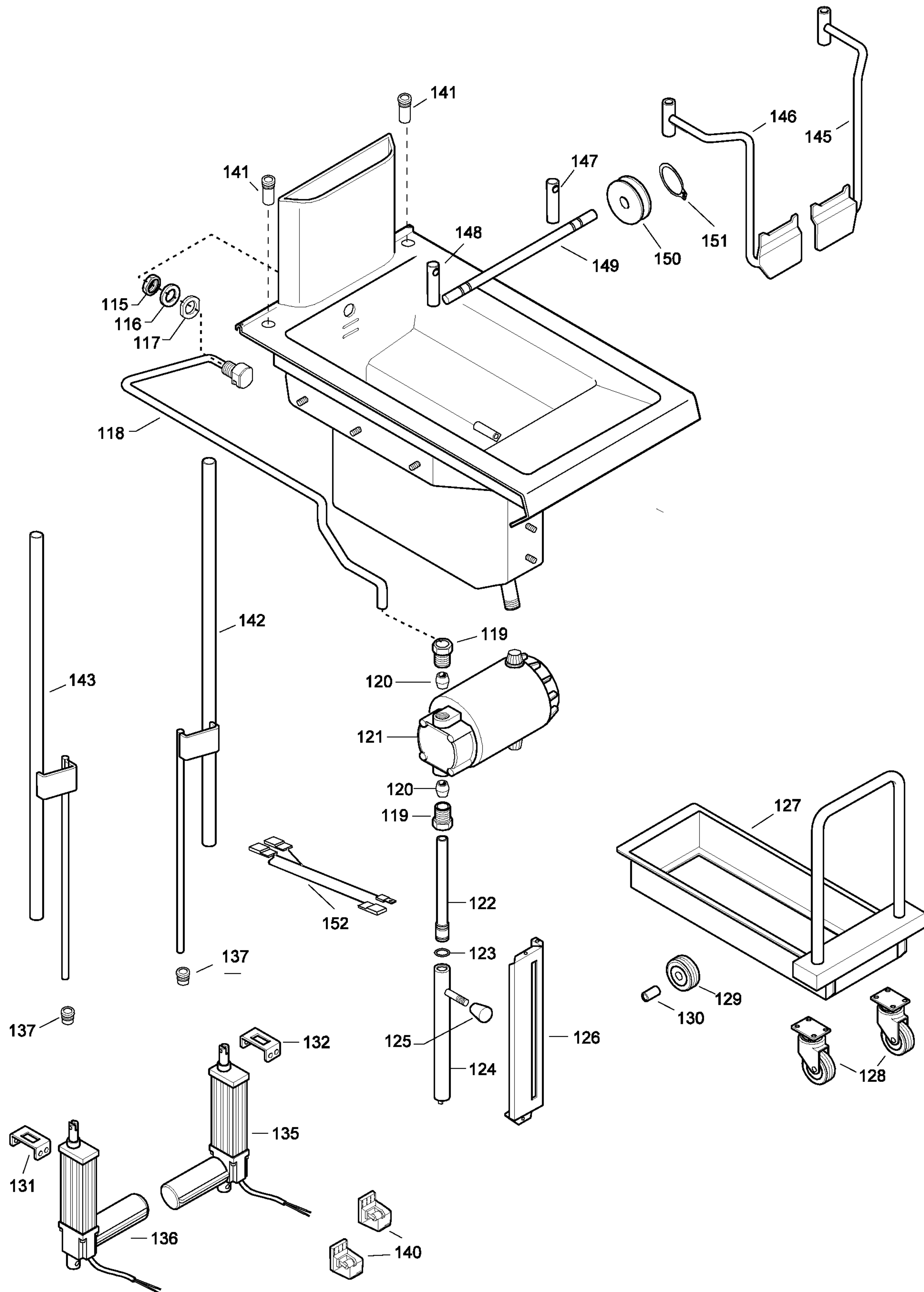
FRIGGITRICI GAS ELETTRONICHE 23L E900XP GAS ELECTRONIC FRYERS 23L E900XP



FRIGGITRICI GAS ELETTRONICHE 23L E900XP GAS ELECTRONIC FRYERS 23L E900XP



FRIGGITRICI GAS ELETTRICHE 23L E900XP GAS ELECTRONIC FRYERS 23L E900XP



FRIGGITRICI GAS ELETTRONICHE 23L E900XP
GAS ELECTRONIC FRYERS 23L E900XP

B - Ugello pilota / Pilot nozzle			
Spare Code	Ref./ Notes		
003327	n°40	2H/2E+	G20 20mbar
003327	n°40	2ELL	G25 20mbar
003327	n°40	2L	G25 25mbar
058525	n°30	3+3B/P	G30/31 28-30/37mbar
REG / ADJ	n°70	No CE	G20 10mbar
REG / ADJ	n°25	No CE	G110 8mbar

A - Ugello bruciatore / Burner nozzle			
Spare Code	Ref. / Notes		
006419	ø2.90	2H/2E+	G20 20mbar
054084	ø3.20	2ELL	G25 20mbar
054084	ø3.20	2L	G25 25mbar
003723	ø1.75	3+3B/P	G30/31 28-30/37mbar
055388	ø3.30	No CE	G20 10mbar
059365	ø5.50	No CE	G110 8mbar