

thermaline S90 **FRITTEUSEN, ELEKTRISCH**
FRYERS, ELECTRIC
FRIGITTRICI ELETTRICHE
FRITEUSE ÉLECTRIQUE

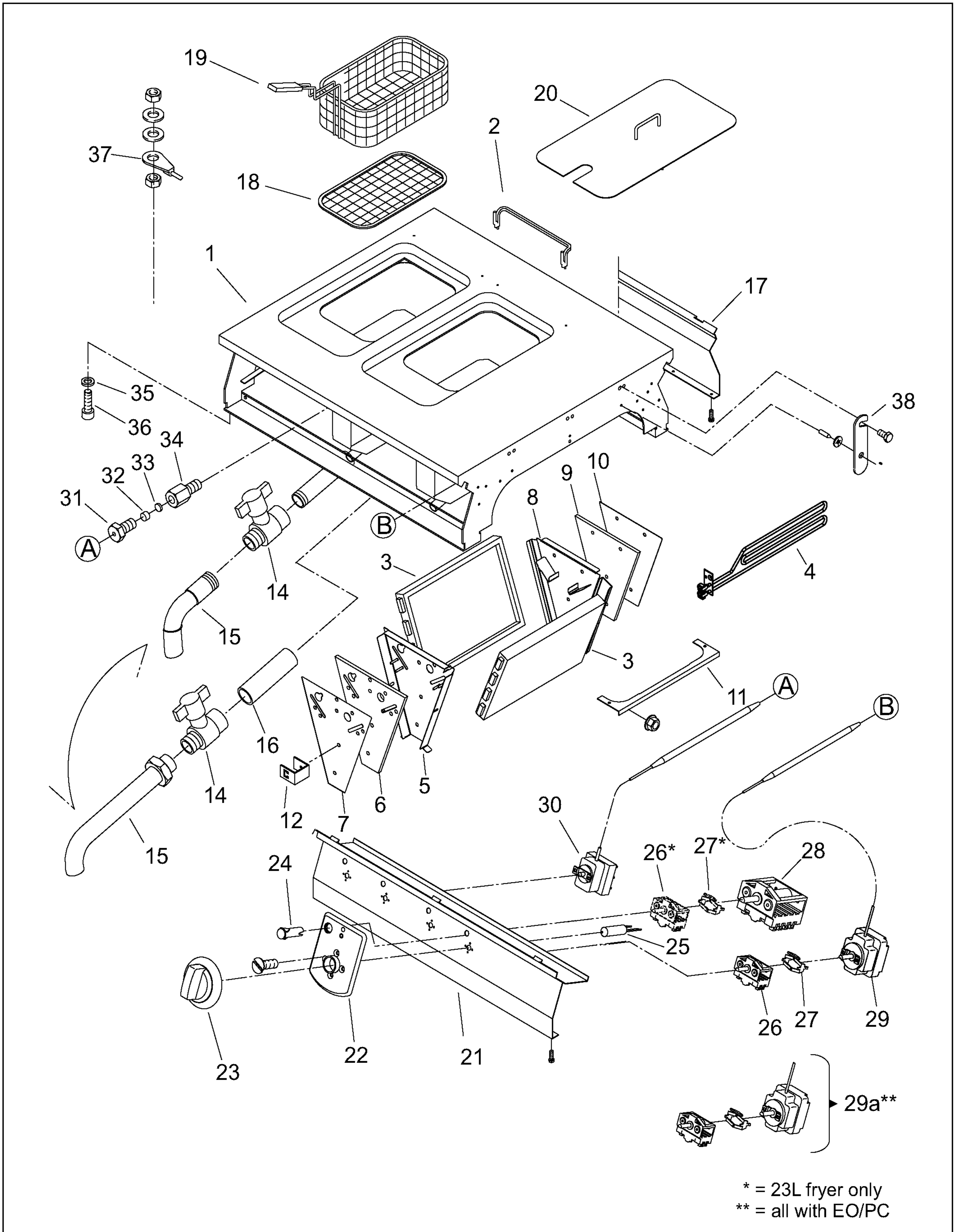
| MODEL CODE | / | PNC | |
|---|---|--------|---|
| freistehend, free standing , isolato, isolé einseitig bedienbar, operated from one side, comando da un lato, utilisable d'un côté | | | |
| WFWROFO000 | / | 584093 | a |
| WFXROFO000 | / | 584094 | b |
| WFWUOFO000 | / | 584097 | e |
| WFXUOFO000 | / | 584098 | f |

| MODEL CODE | / | PNC | |
|--|---|--------|---|
| an Wand, against wall, contro la parete, contre cloison, einseitig bedienbar, operated from one side, comando da un lato, utilisable d'un côté | | | |
| WFWROA0000 | | 584095 | c |
| WFXROA0000 | | 584096 | d |
| WFWUOA0000 | / | 584099 | g |
| WFXUOA0000 | / | 584100 | h |

Series No.: starting from 601...

| | |
|----|------------------------------|
| DE | ERSATZTEILLISTE |
| GB | SPARE PARTS LIST |
| IT | LISTA DEI PEZZI DI RICAMBIO |
| FR | LISTE DES PIÈCES DE RECHANGE |

| |
|--|
| 62.9585.02_UL Edition 2 01.2009 |
|--|



* = 23L fryer only
** = all with EO/PC

