

(11) 3503134537

(6) 5000811198

(5) 5000511197

(9) 5040211157

(10) 5060909894

(12) 5020811177

(13) 5010111158

**Z1
TAV.Z1
DETAIL Z1
DETAIL Z1
DeTAIL Z1**

(16) 5041810597

(14) 5061610987

(15) 5060910023

(27) 3000503764

(28) 5018007498

(19) 5040316827

(18) 5017316826

(17) 2X 5061111706

(20) 1X 5061111708

(29) 3005637011

(23) 5022914338

(22) 5022914031

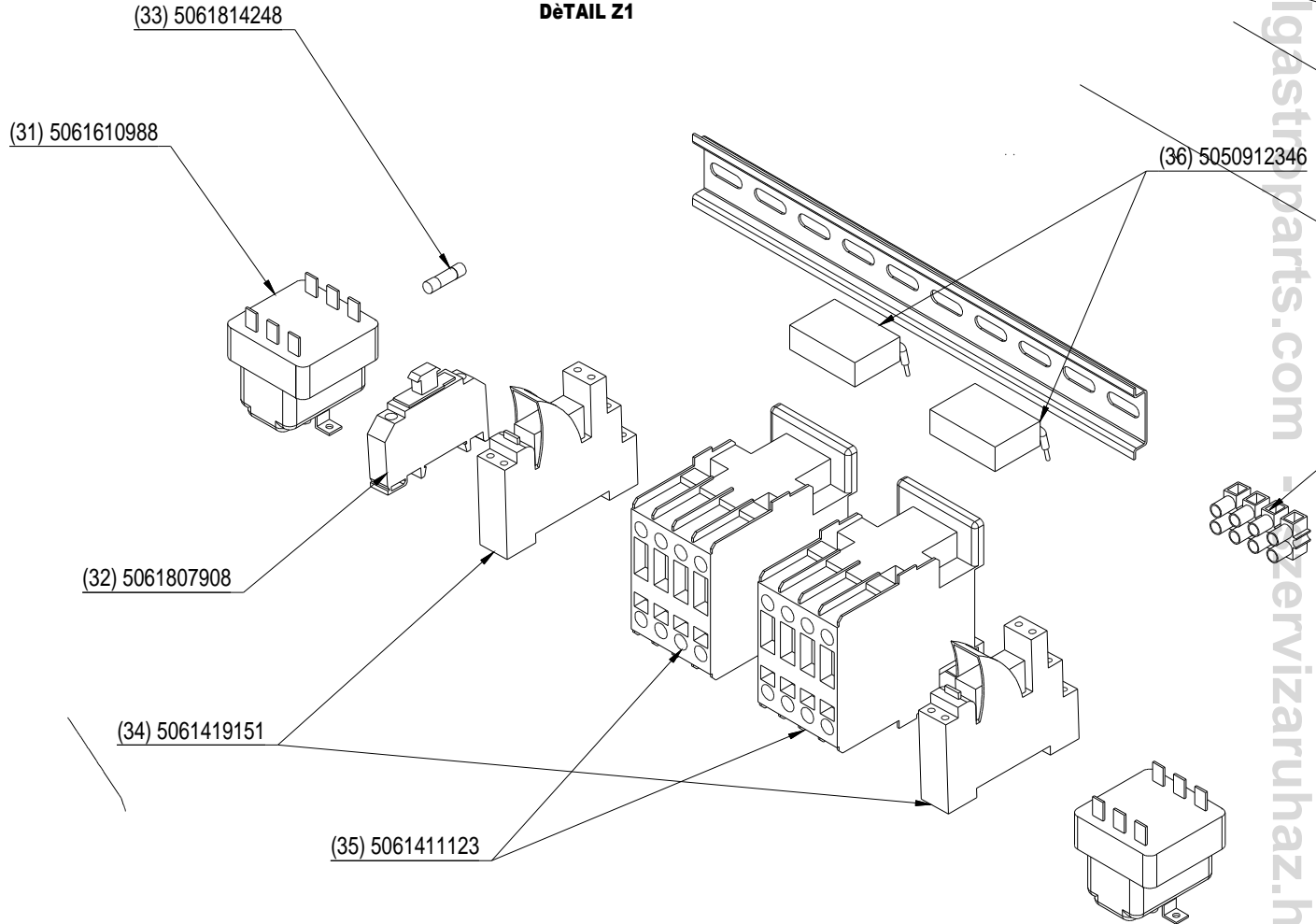
(21) 5017314030

(30) 2012000292

globalgastronauts.com - szervizajutak.hu

TAV.Z1
DETEIL Z1
DETAIL Z1
DèTAIL Z1

Z1



AM0103985355

8EF2/50

FRIGGITRICE ELT. 8EF2/50
ELT-FRITEUSE 8EF2/50ELT. TWIN WELL FRYER 8EF2/50
FRITEUSE E'LECTRIQUE 8EF2/80

| CODE | Descrizione | Beschreibung | Description |
|------|--|-----------------------------------|--------------------------------------|
| 1 | AM5000811199 COPERCHIO QUADRO EY/FE/M | ABDECKUNG RECHTECK EY/FE/M | COVER RECTANGULAR EY/FE/M |
| 2 | AM5040811156 VITE S.T.E.I M12x12 A2 UNI5923 | GEWINDESTIFT INOX I.6KT M12x12 | THREADED PIN INOX I.6KT M12x12 |
| 3 | AM5008501752 SFERA ACCIAIO 3/8" D=9,525MM | STAHL-KUGEL 3/8" D=9,525mm | STEEL SPHERE 3/8" D=9,525MM |
| 4 | AM5017311179 GUARNIZIONE O-RING 50,52x1,78 | DICHTUNG O-RING 50,52x1,78 | O-RING GASKET 50,52x1,78 |
| 5 | AM5000511197 TUBO PORTA RESIST. EY/FE/40M | ROHR HALTER HEIZK. EY/FE/40M | PIPE SUPPORT HEAT. ELEM. EY/FE/40M |
| 6 | AM5000811198 COPERCHIO TONDO EY/FE/M | ABDECKUNG RUND EY/FE/M | ROUND CAP EY/FE/M |
| 7 | AM5006311050 GANCIO RESISTENZA EY/FE/40M | SCHWENKHAKEN EY/FE/40M | SWIVELLING HOOK EY/FE/40M |
| 8 | AM5060811194 RESISTENZA 7500W 400V EY/FE/40M | HEIZKORPER 7500W 400V EY/FE/40M | HEATING ELEMENT 7500W 400V EY/FE/40M |
| 9 | AM5040211157 ROSETTA EL. OND. M6 DIN 137 INOX | BELAGSCHEIBE ELASTISCH M6 INOX | ELASTIC WASHER M6 DIN 137 INOX |
| 10 | AM5060909894 MICROINTERRUTTORE EY/FE/40M | MIKROSCHALTER EY/FE/40M | MICRO SWITCH EY/FE/40M |
| 11 | AM3503134537 COPERCHIO+MANIGLIA EY/FE1/2/40M | DECKEL+GRIFF EY/FE1/2/40M | FRYER LID + HANDLE EY/FE1/2/40M |
| 12 | AM5020811177 CESTELLO FRIG. PICCOLO EY/FE2/40M | KORB FRITEUSE KLEIN EY/FE2/40M | SMALL FRYING BASKET EY/FE2/40M |
| 13 | AM5010111158 SETACCIO RESIDUI PICC. EY/FE2/40M | PANADENSIEB KLEIN EY/FE2/40M | SMALL WIRE MESH SCREEN EY/FE2/40M |
| 14 | AM5061610987 TERMOSTATO 100-185 EY/FE/40M | THERMOSTAT 100-185 EY/FE/40M | THERMOSTAT 100-185 EY/FE/40M |
| 15 | AM5060910023 COMMUTATORE EY/FE/40 M | STUFENSCHALTER EY/FE/40 M | STEP SWITCH EY/FE/40 M |
| 16 | AM5041810597 VITE TC IMP.CROCE M4x5 INOX | ZYLINDERSCHR.KSL M4x5 INOX | PAN HEAD SCREW M4x5 INOX |
| 17 | AM5061111706 LAMPADA SPIA SGF GIALLA 230V | SIGNALLEUCHE SGF GELB 230V | YELLOW CONTROL LAMP SGF 230V |
| 18 | AM5017316826 GUARNIZIONE ANELLO SILICONE D=12,8 MM | SILIKONDICHTRING D=12,8 MM | SILICONE SEALING RING D=12,8 MM |
| 19 | AM5040316827 CONTRODADO OTTONE NICHELATO M13x0,75 | MUTTER MS VERNICKELT M13x0,75 | NICKEL-PLATED BRASS NUT M13x0,75 |
| 20 | AM5061111708 LAMPADA SPIA SGF BIANCA 230V | SIGNALLEUCHE SGF WEISS 230V | WHITE CONTROL LAMP SGF 230V |
| 21 | AM5017314030 GUARNIZIONE MANOPOLA VA 60 | DICHTUNG SCHALTKNOPF VA 60 | CONTROL KNOB GASKET VA 60 |
| 22 | AM5022914031 MANOPOLA ELETTRICA S/90 | SCHALTKNOPF ELT. S/90 | ELECTRIC CONTROL KNOB S/90 |
| 23 | AM5022914338 ANELLO MANOPOLA EL.110-190°C | KNEBELSCHEIBE ELT. 110-190°C | TOMMY DISK KNOB 110-190 °C |
| 24 | AM5061913006 PASSACAVI PA. PG/21 Mod.6321PA | VERSCHRAUBUNG PA PG/21 Mod.6321PA | GROMMET PA PG/21 Mod.6321PA |
| 25 | AM5060508821 MORSETTIERA PA/44 SEZ. mm4 | ANSCHLUSSKLEMME PA/44 SEZ.4 | CONN. TERMINAL PA/44 SEZ-4 |
| 26 | AM5060508823 MORSETTIERA PA/220 SEZ. mm 16 | ANSCHLUSSKLEMME PA/220 SEZ.16 | TERMINAL PA/220 SEZ. 16mm |
| 27 | AM3000503764 TRONCHETTO SCAR.O. EF/FE2/40 | ROHRSTUTZEN OLAB. EF/FE2/40 | OIL DRAIN STUB EF/FE2/40 |
| 28 | AM5018007498 VALVOLA A SFERA 1" R250D | KUGELVENTIL 1" R250D | BALL VALVE 1" R250D |
| 29 | AM3005637011 MANIGLIA RUBINETTO GAS | HEBEL GASRINNE | #N/D |
| 30 | AM2012000292 CERNIERA PORTINA G/85/SYSTEM | SCHARNIER TUR G/85/SYSTEM | SPRING-HINGE M/KT |
| 31 | AM5061610988 TERMOSTATO LIMITATORE EY/FE/40M | SICHERHEITSTHERMOSTAT EY/FE40M | SAFETY THERMOSTAT EY/FE/40M |
| 32 | AM5061807908 PORTA FUSIBILE SIEMENS | SICHERUNGSHALTER SIEMENS | FUSE-HOLDER SIEMENS |
| 33 | AM5061814248 FUSIBILE FLINK 5x20F. 2A | GLASSICHERUNG FLINK 5x20F. 2A | QUICK ACTING FUSE 5X20F. 2A |
| 34 | AM5061419151 RELE' AUSILIARE AC 8A/250V EF2/45-EP | HILFSRELAIS AC 8A/250V EF2/45-EP | AUXILIARY RELAY AC 8A/250V EF2/45-EP |
| 35 | AM5061411123 CONTATTORE CL02A400T6AM CGE | SCHUTZ CGE CL02A400T6AM CGE | CONTACTOR CL02A400T6AM CGE |
| 36 | AM5050912346 FILTRO ANTIDISTURBO 130/240 V | SCHUTZENTSTORFILTER 130/240 V | ANTI-INTERFERENCE FILTER 130/240 V |
| 37 | AM5017334727 GUARNIZIONE RESISTENZE - 9EF/MA | DICHTUNG HEIZKORPER - 9EF/ME | HEATING ELEMENT GASKET 9EF/ME |