

(11) 3503134537

(6) 5000811198

(5) 5000511197

(9) 5040211157

(10) 5060909894

(12) 5020811177

(13) 5010111158

**Z1**  
**TAV.Z1**  
**DETEIL Z1**  
**DETEIL Z1**  
**DèTAIL Z1**

(16) 5041810597

(14) 5061610987

(15) 5060910023

(27) 3000503764

(28) 5018007498

(19) 5040316827

(18) 5017316826

(17) 2X 5061111706

(20) 1X 5061111708

(29) 3005637011

(23) 5022914338

(22) 5022914031

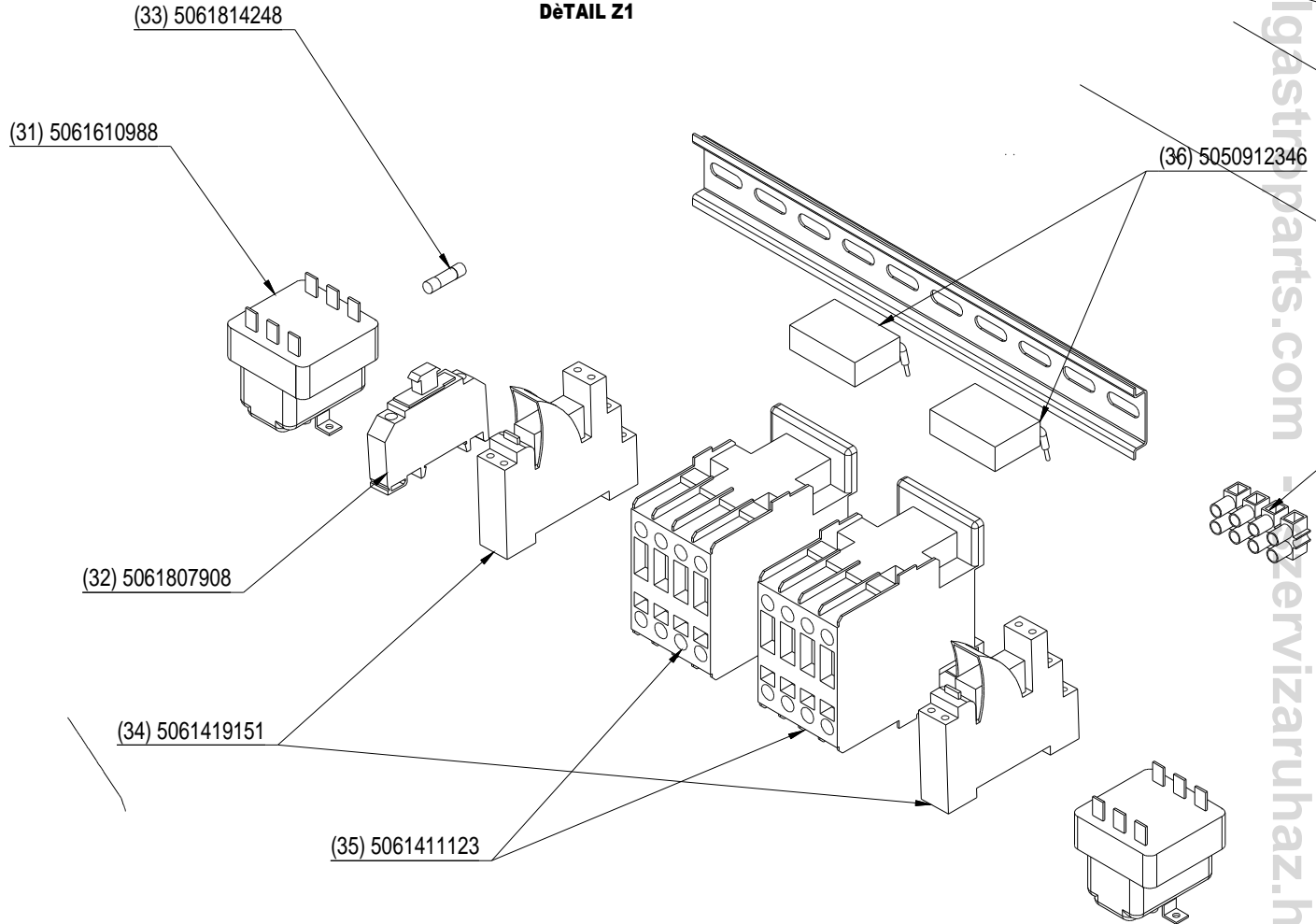
(21) 5017314030

(30) 2012000292

globalgastronauts.com - szervizakalmaz.hu

**TAV.Z1**  
**DETEIL Z1**  
**DETAIL Z1**  
**DèTAIL Z1**

**Z1**



AM0103985355

8EF2/50

FRIGGITRICE ELT. 8EF2/50  
ELT-FRITEUSE 8EF2/50ELT. TWIN WELL FRYER 8EF2/50  
FRITEUSE E'LECTRIQUE 8EF2/80

CODE	Descrizione	Beschreibung	Description
1	AM5000811199 COPERCHIO QUADRO EY/FE/M	ABDECKUNG RECHTECK EY/FE/M	COVER RECTANGULAR EY/FE/M
2	AM5040811156 VITE S.T.E.I M12x12 A2 UNI5923	GEWINDESTIFT INOX I.6KT M12x12	THREADED PIN INOX I.6KT M12x12
3	AM5008501752 SFERA ACCIAIO 3/8" D=9,525MM	STAHL-KUGEL 3/8" D=9,525mm	STEEL SPHERE 3/8" D=9,525MM
4	AM5017311179 GUARNIZIONE O-RING 50,52x1,78	DICHTUNG O-RING 50,52x1,78	O-RING GASKET 50,52x1,78
5	AM5000511197 TUBO PORTA RESIST. EY/FE/40M	ROHR HALTER HEIZK. EY/FE/40M	PIPE SUPPORT HEAT. ELEM. EY/FE/40M
6	AM5000811198 COPERCHIO TONDO EY/FE/M	ABDECKUNG RUND EY/FE/M	ROUND CAP EY/FE/M
7	AM5006311050 GANCIO RESISTENZA EY/FE/40M	SCHWENKHAKEN EY/FE/40M	SWIVELLING HOOK EY/FE/40M
8	AM5060811194 RESISTENZA 7500W 400V EY/FE/40M	HEIZKORPER 7500W 400V EY/FE/40M	HEATING ELEMENT 7500W 400V EY/FE/40M
9	AM5040211157 ROSETTA EL. OND. M6 DIN 137 INOX	BELAGSCHEIBE ELASTISCH M6 INOX	ELASTIC WASHER M6 DIN 137 INOX
10	AM5060909894 MICROINTERRUTTORE EY/FE/40M	MIKROSCHALTER EY/FE/40M	MICRO SWITCH EY/FE/40M
11	AM3503134537 COPERCHIO+MANIGLIA EY/FE1/2/40M	DECKEL+GRIFF EY/FE1/2/40M	FRYER LID + HANDLE EY/FE1/2/40M
12	AM5020811177 CESTELLO FRIG. PICCOLO EY/FE2/40M	KORB FRITEUSE KLEIN EY/FE2/40M	SMALL FRYING BASKET EY/FE2/40M
13	AM5010111158 SETACCIO RESIDUI PICC. EY/FE2/40M	PANADENSIEB KLEIN EY/FE2/40M	SMALL WIRE MESH SCREEN EY/FE2/40M
14	AM5061610987 TERMOSTATO 100-185 EY/FE/40M	THERMOSTAT 100-185 EY/FE/40M	THERMOSTAT 100-185 EY/FE/40M
15	AM5060910023 COMMUTATORE EY/FE/40 M	STUFENSCHALTER EY/FE/40 M	STEP SWITCH EY/FE/40 M
16	AM5041810597 VITE TC IMP.CROCE M4x5 INOX	ZYLINDERSCHR.KSL M4x5 INOX	PAN HEAD SCREW M4x5 INOX
17	AM5061111706 LAMPADA SPIA SGF GIALLA 230V	SIGNALLEUCHE SGF GELB 230V	YELLOW CONTROL LAMP SGF 230V
18	AM5017316826 GUARNIZIONE ANELLO SILICONE D=12,8 MM	SILIKONDICHTRING D=12,8 MM	SILICONE SEALING RING D=12,8 MM
19	AM5040316827 CONTRODADO OTTONE NICHELATO M13x0,75	MUTTER MS VERNICKELT M13x0,75	NICKEL-PLATED BRASS NUT M13x0,75
20	AM5061111708 LAMPADA SPIA SGF BIANCA 230V	SIGNALLEUCHE SGF WEISS 230V	WHITE CONTROL LAMP SGF 230V
21	AM5017314030 GUARNIZIONE MANOPOLA VA 60	DICHTUNG SCHALTKNOPF VA 60	CONTROL KNOB GASKET VA 60
22	AM5022914031 MANOPOLA ELETTRICA S/90	SCHALTKNOPF ELT. S/90	ELECTRIC CONTROL KNOB S/90
23	AM5022914338 ANELLO MANOPOLA EL.110-190°C	KNEBELSCHEIBE ELT. 110-190°C	TOMMY DISK KNOB 110-190 °C
24	AM5061913006 PASSACAVI PA. PG/21 Mod.6321PA	VERSCHRAUBUNG PA PG/21 Mod.6321PA	GROMMET PA PG/21 Mod.6321PA
25	AM5060508821 MORSETTIERA PA/44 SEZ. mm4	ANSCHLUSSKLEMME PA/44 SEZ.4	CONN. TERMINAL PA/44 SEZ-4
26	AM5060508823 MORSETTIERA PA/220 SEZ. mm 16	ANSCHLUSSKLEMME PA/220 SEZ.16	TERMINAL PA/220 SEZ. 16mm
27	AM3000503764 TRONCHETTO SCAR.O. EF/FE2/40	ROHRSTUTZEN OLAB. EF/FE2/40	OIL DRAIN STUB EF/FE2/40
28	AM5018007498 VALVOLA A SFERA 1" R250D	KUGELVENTIL 1" R250D	BALL VALVE 1" R250D
29	AM3005637011 MANIGLIA RUBINETTO GAS	HEBEL GASRINNE	#N/D
30	AM2012000292 CERNIERA PORTINA G/85/SYSTEM	SCHARNIER TUR G/85/SYSTEM	SPRING-HINGE M/KT
31	AM5061610988 TERMOSTATO LIMITATORE EY/FE/40M	SICHERHEITSTHERMOSTAT EY/FE40M	SAFETY THERMOSTAT EY/FE/40M
32	AM5061807908 PORTA FUSIBILE SIEMENS	SICHERUNGSHALTER SIEMENS	FUSE-HOLDER SIEMENS
33	AM5061814248 FUSIBILE FLINK 5x20F. 2A	GLASSICHERUNG FLINK 5x20F. 2A	QUICK ACTING FUSE 5X20F. 2A
34	AM5061419151 RELE' AUSILIARE AC 8A/250V EF2/45-EP	HILFSRELAIS AC 8A/250V EF2/45-EP	AUXILIARY RELAY AC 8A/250V EF2/45-EP
35	AM5061411123 CONTATTORE CL02A400T6AM CGE	SCHUTZ CGE CL02A400T6AM CGE	CONTACTOR CL02A400T6AM CGE
36	AM5050912346 FILTRO ANTIDISTURBO 130/240 V	SCHUTZENTSTORFILTER 130/240 V	ANTI-INTERFERENCE FILTER 130/240 V
37	AM5017334727 GUARNIZIONE RESISTENZE - 9EF/MA	DICHTUNG HEIZKORPER - 9EF/ME	HEATING ELEMENT GASKET 9EF/ME