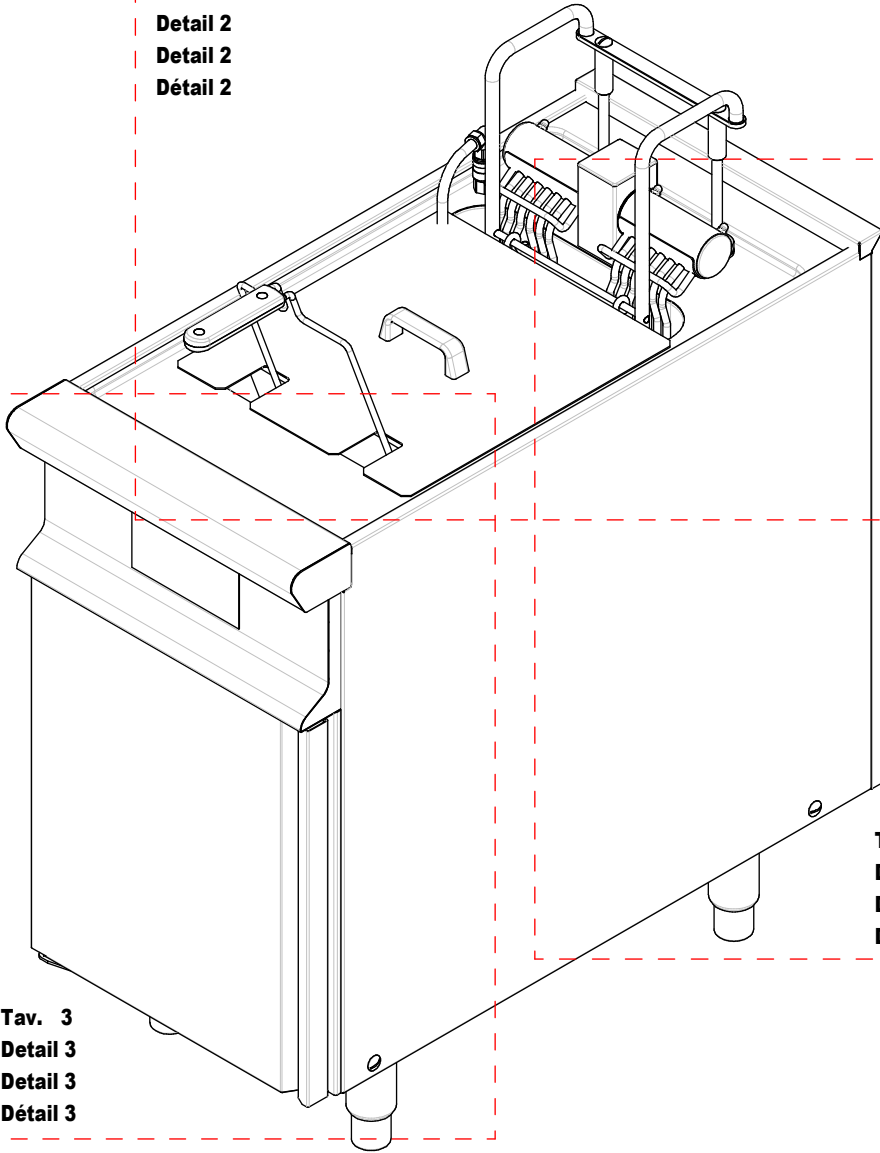


EF1/45EPL

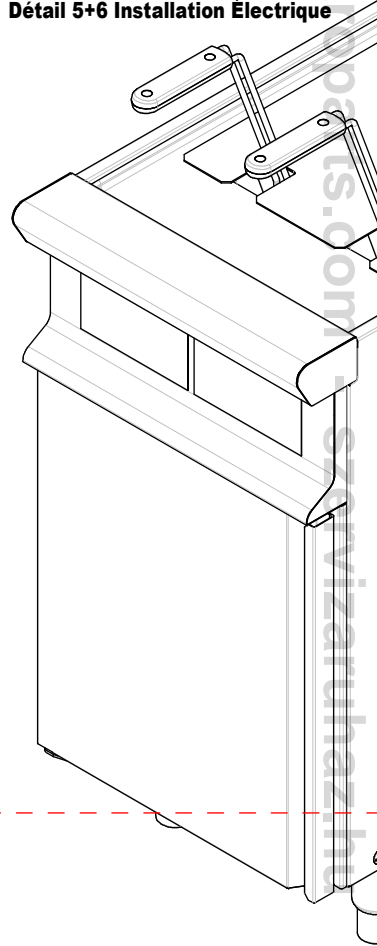
Tav. 2
Detail 2
Detail 2
Détail 2



Tav. 3
Detail 3
Detail 3
Détail 3

Tav. 4
Detail 4
Detail 4
Détail 4

Tav. 5+6 Impianto elettrico
Detail 5+6 Elektroinstallation
Detail 5+6 Electric installation
Détail 5+6 Installation Électrique



(30) 5020817745 (EF2/45)

(5) 3503117790

(7) 3506318516 (EF1/45)

(18) 5006318515

(42) 5051218527

(41) 5051218511

(12) 5000811198

(40) 5051218510

(11) 5000518518

(45) 5060909894

(22) 5017311175

(20) 5010111158 (EF2/45)

(20) 5010111159 (EF1/45)

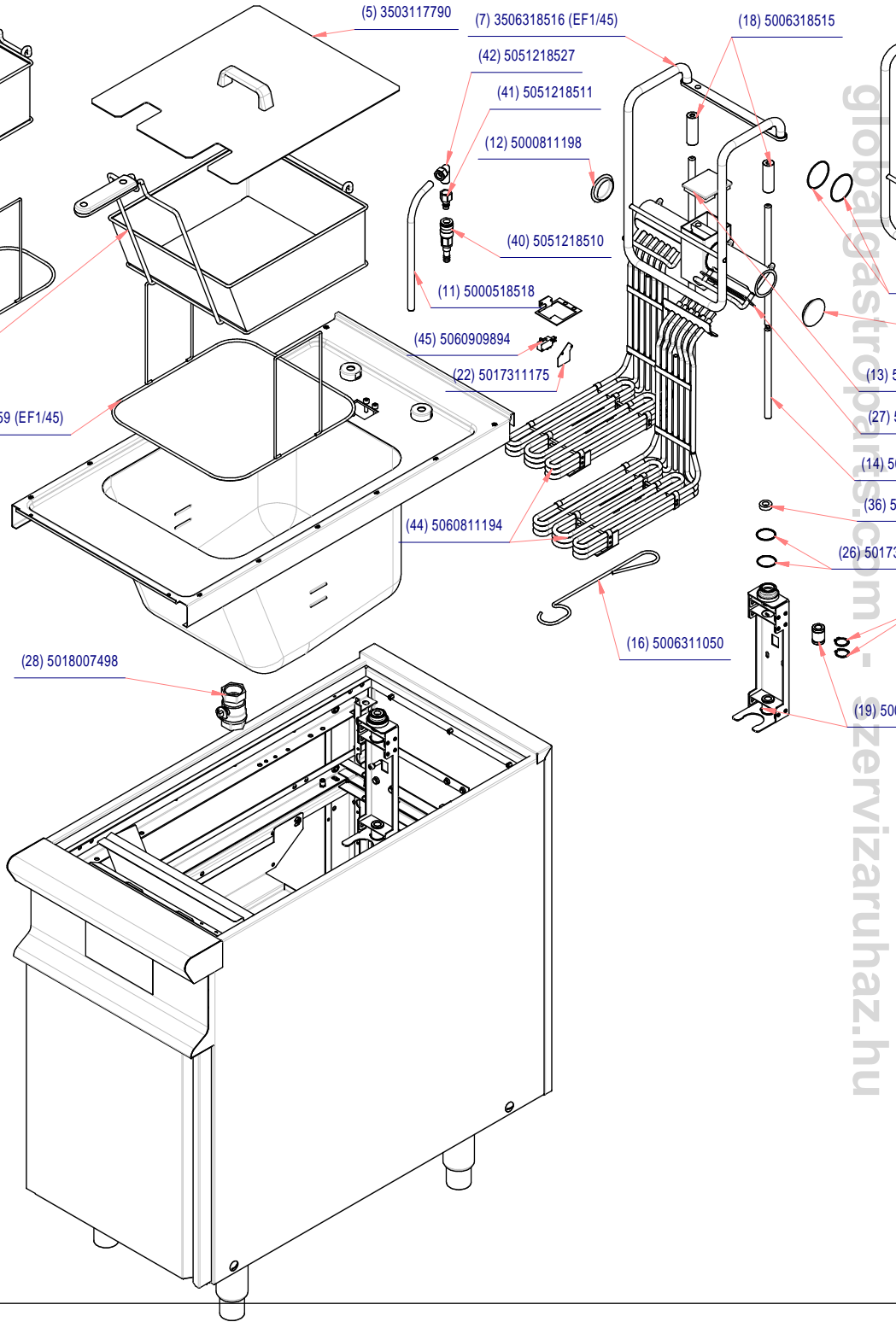
(30) 5020818504 (EF1/45)

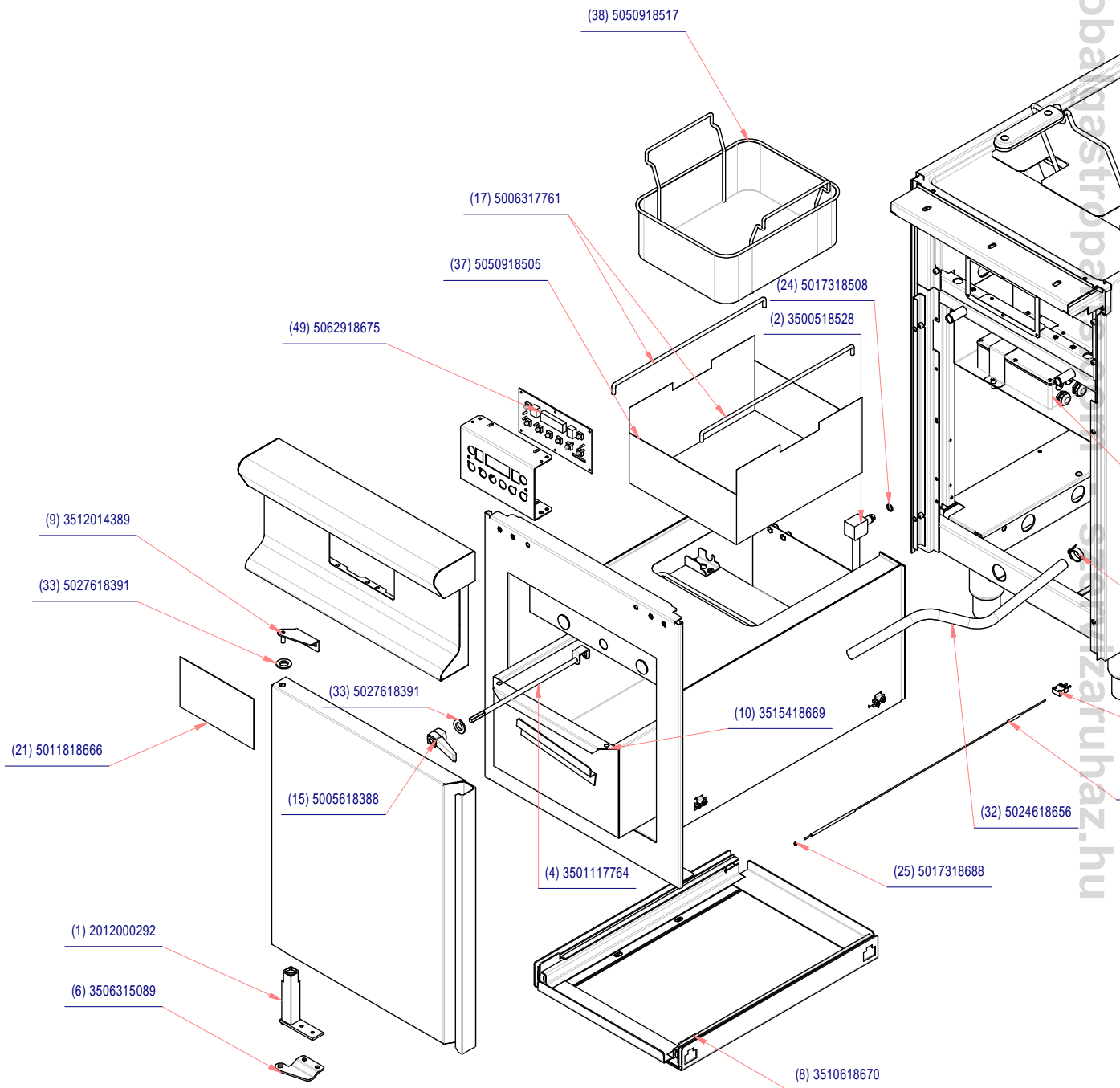
(44) 5060811194

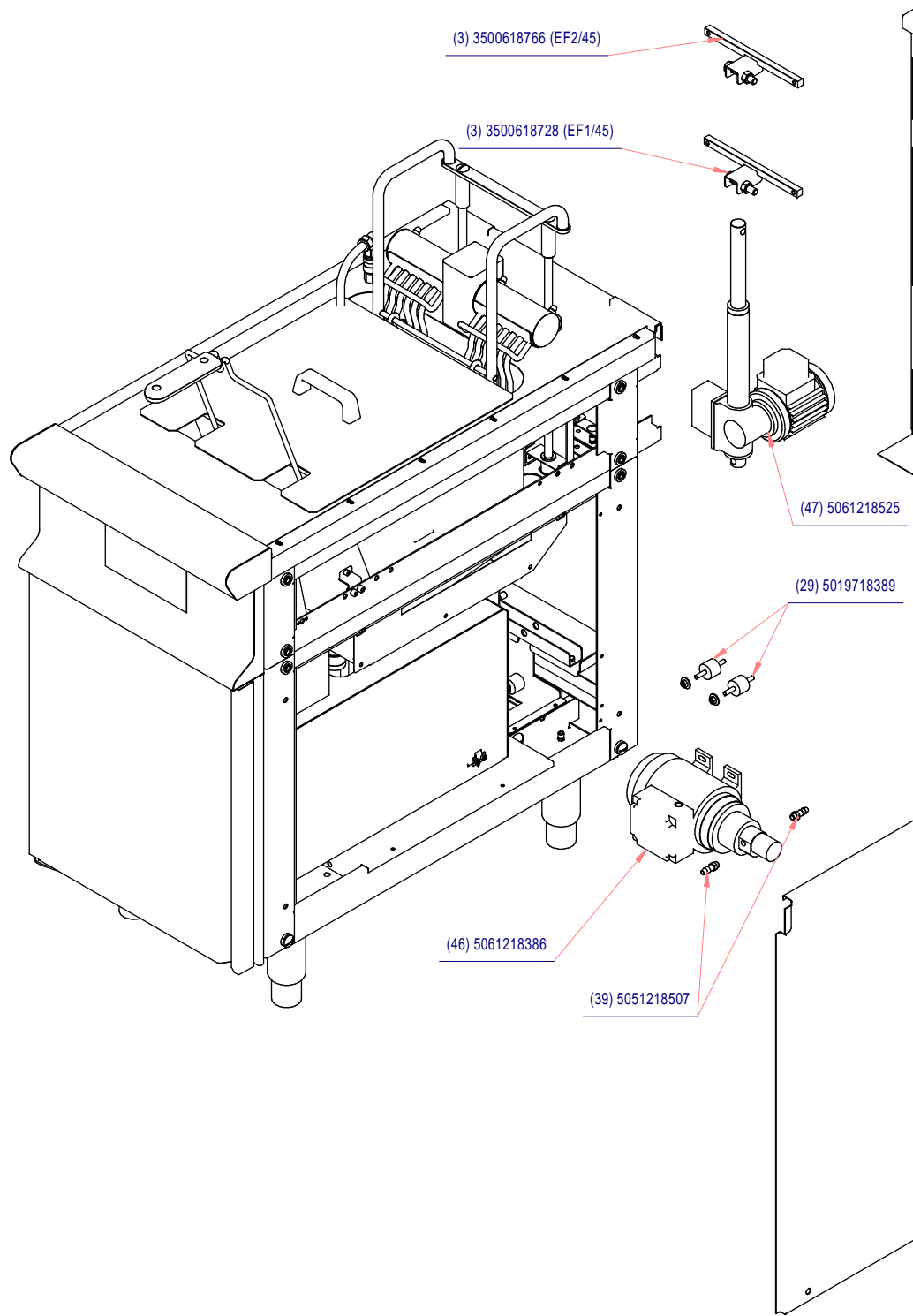
(16) 5006311050

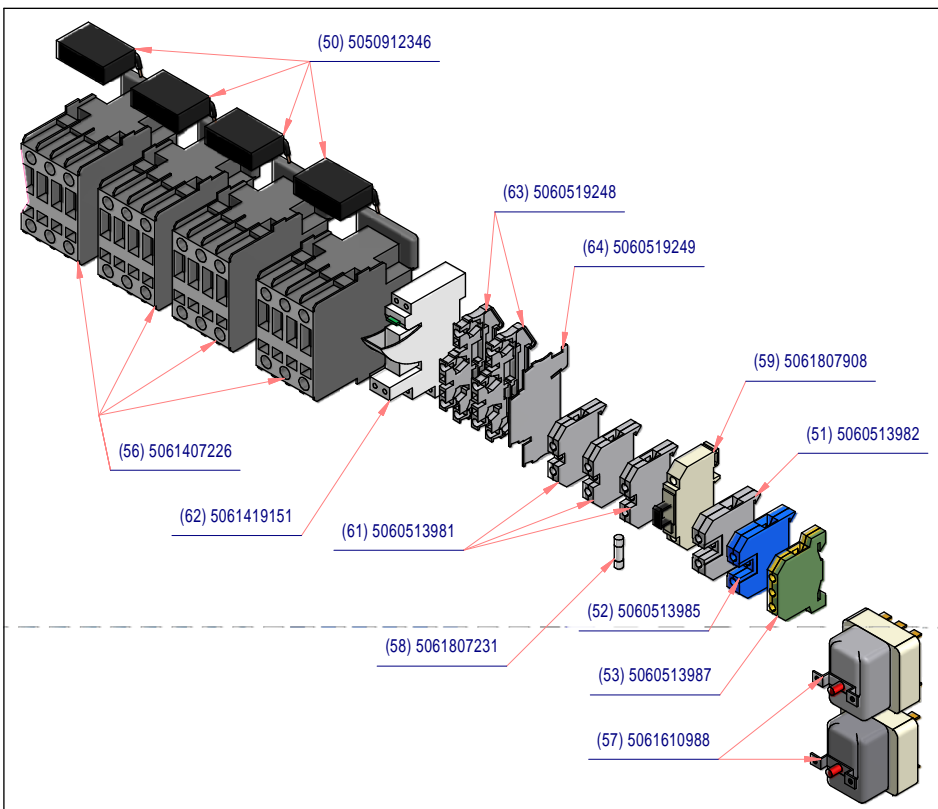
(28) 5018007498

globalgastro.com - szervizaruhasz.hu

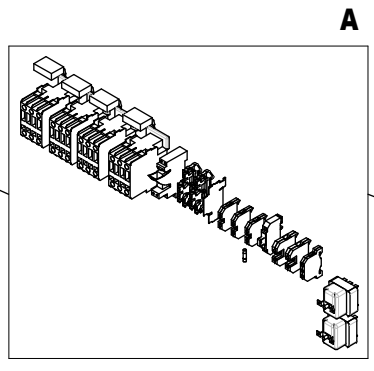




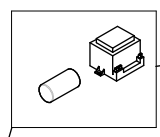




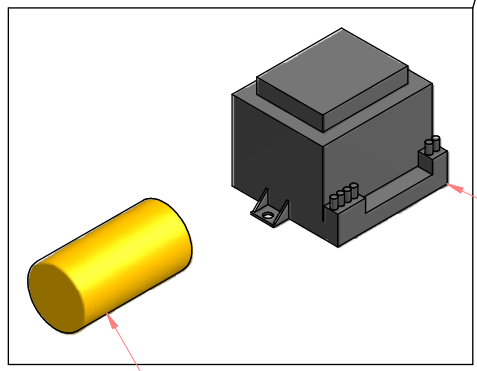
A



A



B



B

(55) 5061211324

(60) 5062812746

AM0103918372

EF1/45EPL

FRIGGITRICE ELETRICA
ELT-FRITEUSEELECTRIC FRYER
FRITEUSE ÉLECTRIQUE

CODE	Descrizione	Beschreibung	Description		
1	AM2012000292	CERNIERA PORTINA G/85/SYSTEM	SCHARNIER TÜR G/85/SYSTEM	SPRING-HINGE M/KT	CHARNIERE
2	AM3500518528	ASS. TUBO ASPIRAZIONE OLIO EF1-EF2/45EP	ZUSAMMENBAU SAUGROHR ÖL EF1-EF2/45EP	EXTERNAL LID PIPE ASSEMBLY EKBD	ENSEMBLE T
3	AM3500618728	ASSIEME ATTACCO ASSI EF1/45EP	ZUSAMMENBAU VERBINDUNG ACHSEN EF1/45EP	ASSEMBLY JOINT AXLES EF1/45EP	ASSEMBLÉE
4	AM3501117764	ASSIEME ASTA RUBINETTO SCARICO EF2/45-EP	ZUSAMM. WELLE AUSLAUFHAHN EF2/45-EP	DRAIN TAP AXLE ASSEMBLY EF2/45-EP	BLOC D'AXE
5	AM3503117790	ASSIEME COPERCHIO EF1-EF2/45EP	ZUSAMMENBAU DECKEL EF1-EF2/45EP	PROTECTION PLATE EKBD	TÔLE DE PRO
6	AM3506315089	SUPPORTO CERNIERA S.UB/SYSTEM	HALTER SCHARNIER L.UB/SYSTEM	HINGE SUPPORT LEFT UB/SYSTEM	SUPPORT CH
7	AM3506318516	ASSIEME SUPPORTO CESTELLO EF1/45EPL	ZUSAMMENBAU HALTER KORB EF1/45EPL	ASSEMBLY HOLDER BASKET EF1/45EPL	ASSEMBLEE
8	AM3510618670	ASSIEME TELAIO ESTRAIBILE EF1-EF2/45EP	ZUSAMMENBAU RAHMEN AUSZ. EF1-EF2/45EP	ASSEMBLY REMOVABLE FRAME. EF1-EF2/45EP	ASSEMBLÉE
9	AM3512014389	CERNIERA SINISTRA UB/SYSTEM	SCHARNIER OBEN L. UB/SYSTEM	HINGE LEFT UB/SYSTEM	CHARNIERE
10	AM3515418669	ASSIEME VASCA SCARICO OLIO EF1-EF2/45EP	ZUSAMMENBAU WANNE ÖLABLAUF EF1-EF2/45EP	OIL COLLECTING TRAY ASS. EF1-EF2/45EP	BAC DE REC
11	AM5000518518	TUBO ENTRATA OLIO EF1-EF2/45EP	ROHR ÖLEINLAUF EF1-EF2/45EP	INLET OIL EF1-EF2/45EP	Entrée d'huile
12	AM5000811198	COPERCHIO TONDO EY/FE/M	ABDECKUNG RUND EY/FE/M	ROUND CAP EY/FE/M	COUVERCLE
13	AM5000811199	COPERCHIO QUADRO EY/FE/M	ABDECKUNG RECHTECK EY/FE/M	COVER RECTANGULAR EY/FE/M	CAPOT RECT
14	AM5001118499	ASSE EF1-EF2/45EP	ACHSE EF1-EF2/45EP	AXIS EF1-EF2/45EP	AXE EF1-EF2
15	AM5005618388	MANIGLIA RUBINETTO A SFERA MF.63 N-6x6	GRIFF KUGELHAN MF.63 N-6x6	PLUG TAP HANDLE MF.63N-6x6	MANETTE DE
16	AM5006311050	GANCIO RESISTENZA EY/FE/40M	SCHWENKHAKEN EY/FE/40M	SWIVELLING HOOK EY/FE/40M	CROCHET EY
17	AM5006317761	SUPPORTO FILTRO EF1-EF2/45-EP	HALTER FILTER EF1-EF2/45-EP	FILTER SUPPORT EF1-EF2/45-EP	SUPPORT DE
18	AM5006318515	PRESA SUPPORTO CESTELLO EF1/45EP	AUFNAHME HALTER KORB EF1/45EP	HOLDER BASKET EF1/45EP	SUPPORT RA
19	AM5008518539	CUSCINETTO ASSIALE Ø12MM	AXIALKUGELLAGER Ø12MM	BEARING AXIAL Ø12mm	ROULEMENT
20	AM5010111159	SETACCIO RESIDUI GRANDE EY/FE/140M	PANADENSIEB GROSS EY/FE/140M	LARGE WIRE MESH SCREEN EY/FE/140M	GRAND TAM
21	AM5011818666	MASCHERINA PER SCHEDA EF1/45EP	TASTATURFOLIE EF1/45EP	KEYBOARD FOIL FOR EF1/45EP	PLASTRON F
22	AM5017311175	GUARNIZIONE MICRO EY/FE/40M	DICHTUNG MIKRO EY/FE/40M	SEAL MIKRO EY/FE/40M	JOINT MICR
23	AM5017311179	GUARNIZIONE O-RING 50,52x1,78	DICHTUNG O-RING 50,52x1,78	O-RING GASKET 50,52x1,78	JOINT TORIC
24	AM5017318508	ANELLO O-RING 1,78 x 8,73	DICHTUNG O-RING 1,78 x 8,73	O-RING 1,78 x 8,73	JOINT D'ETA
25	AM5017318688	ANELLO O-RING 1,78 x 3,68	DICHTUNG O-RING 1,78 x 3,68	O-RING 1,78 x 3,68	JOINT D'ETA
26	AM5017318716	ANELLO O-RING 1,78 x 31,47	DICHTUNG O-RING 1,78 x 31,47	O-RING 1,78 x 31,47	JOINT D'ETA
27	AM5017334727	GUARNIZIONE RESISTENZE - 9EF/MA	DICHTUNG HEIZKÖRPER - 9EF/MA	GASKET RADIATOR - 9EF/MA	RADIATEUR
28	AM5018007498	VALVOLA A SFERA 1" R250D	KUGELVENTIL 1" R250D	BALL VALVE 1" R250D	SOUPAPE A
29	AM5019718389	ANTIVIBRANTI 25x20mm M6x14mm	SCHWINGUNGSDÄMPFER 25x20mm M6x14mm	SHOCK ABSORBERS 25x20mm M6x14mm	AMORTISSE
30	AM5020818504	CESTELLO FRIG. GRANDE EF1/45EP	KORB FRITTEUSE GROß EF1/45EP	LARGE FRYING BASKET EF1/45EP	GRAND PAN
31	AM5024118676	SONDA DI TEMP. EF/45EP	SONDE EF/45EP	SENSOR EF/45EP	SONDE EF/4
32	AM5024618656	TUBO SILICONE SILFOOD-P DN9,5x16,5	SILIKONSCHLAUCH SILFOOD-P DN9,5x16,5	PIPE SILFOOD-P DN9,5x16,5	TUYAU SILF
33	AM5027618391	BOCCOLA NYLON	KUNSTOFFBUCHSE NYLON	NYLON SOCKET	MANCHON E
34	AM5028510569	FASCETTA TUBO INOX 12-22/9 W4	ROHRSCHELLE INOX 12-22/9 W4	INOX PIPE CLAMP 12-22/9 W4	COLLIER DE
35	AM5031418503	ANELLO ELASTICO SICUREZZA INOX UNI 7435	SICHERUNGSRING INOX UNI 7435	SECURITY RING STEEL UNI 7435	ANNEAU DE
36	AM5031418506	PARAOILIO DIN 3760	RADIAL-WELLENDICHTRING DIN 3760	OIL SEAL DIN 3760	JOINT D'HUI
37	AM5050918505	FILTRO OLIO IN TELA EF/45EP	ÖLFILTER EF/45EP	OIL FILTER EF/45EP	FILTRE A HU
38	AM5050918517	FILTRO CESTELLO EF1-EF2/45EP	FILTER KORB EF1-EF2/45EP	BASKET FILTER EF1-EF2/45EP	FILTRE DE P
39	AM5051218507	PORTAGOMMA CILL.1/8">10 454/A	"SCHLAUCHVERSCHR.1/8">10 454/A"	TUBE CONNECTION 1/8">10 454/A	RACCORD FI
40	AM5051218510	RACCORDO RAPIDO CON ATT. TUBO	VERSCHLUSSKUPPLUNG MIT SCHLAUCHANSCHLUSS	QUICK FASTENING WITH PIPE CONNECTION	RCCORDEME
41	AM5051218511	INNESTO RAPIDO 3/8"	STECKNIPPEL 3/8"	QUICK CONNECTOR 3/8"	RACCORD A
42	AM5051218527	L MASCHIO 3/8"-Ø12	WINKELZWISCHENSTÜCK 3/8"-Ø12	ANGLE ADAPTER 3/8" > Ø12	ADAPATEUR
43	AM5060219281	CONNETTORE PER TERMOCOPPIA TIPO K	STECKVERBINDER FÜR THERMOFUHLER TYPE K	THERMOCOUPLE CONNECTOR TYPE K	CONNECTEUR
44	AM5060811194	RESISTENZA 7500W 400V EY/FE/40M	HEIZKÖRPER 7500W 400V EY/FE/40M	HEATING ELEMENT 7500W 400V EY/FE/40M	RÉSISTANCE
45	AM5060909894	MICROINTERRUTTORE EY/FE/40M	MIKROSCHALTER EY/FE/40M	MICRO SWITCH EY/FE/40M	MICROINTER
46	AM5061218386	ELETTROPOMPA AD INGRANAGGI EF/45EP	ELKTOZAHNRADPUMPE EF/45EP	GEARED ELECTRIC PUMP EF/45EP	E.POMPE A
47	AM5061218525	ATTUATORE LINEARE CLA20 C=110MM	SPINDELMOTOR CLA20 C=110MM	SPINDLE MOTOR CLA20 C=110MM	MOTEUR BR
48	AM5062918674	MODULO PRINC. CENTRALINA ELETTR. EF/45EP	HAUPT-MODUL ELEKTRO STEUERUNG EF/45EP	ELECTRONIC CONTROL MAIN MODULE EF/45EP	MODULE PR
49	AM5062918675	SCHEDA COMANDI EF/45EP	VERTIKALES BEDIENUNGSTEIL EF/45EP	VERTICAL CONTROL UNIT EF/45EP	ÉLÉMENT DE
AM3560018672	EF1/45EPL	FRIGGITRICE ELETRICA IMPIANTO ELETTRICO ELT-FRITEUSE ELEKTROIN.	ELECTRIC FRYER ELECTRIC. INST. FRITEUSE ÉLECTRIQUE INST.ELECTR.		
50	AM5050912346	FILTRO ANTIDISTURBO 130/240 V	SCHÜTZENTSTÖRFILTER 130/240 V	ANTI-INTERFERENCE FILTER 130/240 V	FILTRE ANTI
51	AM5060513982	MORSETTIERA GRIGIA 16QMM	UNIVERSALKLEMME GRAU 16QMM	GREY UNIVERSAL TERMINAL 16QMM	BORNE UNIV
52	AM5060513985	MORSETTO NEUTRO BLU 16QMM	NULL-LEITERKLEMME BLAU 16QMM	BLUE NEUTRAL TERMINAL 16QMM	BORNE DE N
53	AM5060513987	MORSETTO-TERRA GIALLOVERDE 6QMM	ERDUNGS-KLEMME GELBGRÜN 6QMM	EARTH TERMINAL GREEN YELLOW 6QMM	BORNE DE T
54	AM5060513988	MORSETTO DI TERRA GIALLOVERD.16QMM	ERDUNGS-KLEMME GELBGRÜN 16QMM	EARTH TERMINAL YELLOW/GREEN16QMM	BORNE DE T
55	AM5061211324	CONDENSATORE MFL 250V 6,3 æF	KONDENSATOR MFL 250V 6,3 æF	CONDENSATOR MFL 250V 6,3	CONDENSATE
56	AM5061407226	CONTATTORE CGE CL25A300T6 230V	SCHÜTZ CGE CL25A300T6 230V	CONTACTOR CGE CL25A300T6 230V	CONTACTEUR
57	AM5061610988	TERMOSTATO LIMITATORE EY/FE/40M	SICHERHEITSTHERMOSTAT EY/FE/40M	SAFETY THERMOSTAT EY/FE/40M	THERMOSTA
58	AM5061807231	FUSIBILE LA 01078-250V 5x20F.	GLASSICHERUNG FLINK 5x20F.6.3A	FUSE LA 01078-250V 5x20F.	FUSIBLE LA
59	AM5061807908	PORTA FUSIBILE SIEMENS	SICHERUNGSHALTER SIEMENS	FUSE-HOLDER SIEMENS	PORTE-FUSI
60	AM5062812746	TRASFORMATORE 230/9V 16VA	TRANSFORMATOR 230/9V 16VA	TRANSFORMER 230/9V 16VA	TRANSFORM
61	AM5060513981	MORSETTIERA GRIGIA 6QMM	UNIVERSALKLEMME GRAU 6QMM	UNIVERSAL TERMINAL GREY 6QMM	BORNIER UN

SYSTEM 900 - EF1/45EPL

AM0103918373	EF2/45EPL	FRIGGITRICE ELETTRICA ELT-FRITEUSE	ELECTRIC FRYER FRITEUSE ÉLECTRIQUE		
CODE	Descrizione	Beschreibung	Description		
1	AM2012000292	CERNIERA PORTINA G/85/SYSTEM	SCHARNIER TUR G/85/SYSTEM	SPRING-HINGE M/KT	CHARNIÈRE
2	AM3500518528	ASS. TUBO ASPIRAZIONE OLIO EF1-EF2/45EP	ZUSAMMENBAU SAUGROHR ÖL EF1-EF2/45EP	EXTERNAL LID PIPE ASSEMBLY EKBD	ENSEMBLE T
3	AM3500618766	ASSIEME ATTACCO ASSI EF2/45EP	ZUSAMMENBAU VERBINDUNG ACHSEN EF2/45EP	ASSEMBLY JOINT AXLES EF2/45EP	ASSEMBLEE
4	AM3501117764	ASSIEME ASTA RUBINETTO SCARICO EF2/45-EP	ZUSAMM. WELLE AUSLAUFHAHN EF2/45-EP	DRAIN TAP AXLE ASSEMBLY EF2/45-EP	BLOC D'AXE
5	AM3503117790	ASSIEME COPERCHIO EF1-EF2/45EP	ZUSAMMENBAU DECKEL EF1-EF2/45EP	PROTECTION PLATE EKBD	TÔLE DE PR
6	AM3506315089	SUPPORTO CERNIERA S.SUB/SYSTEM	HALTER SCHARNIER L.UB/SYSTEM	HINGE SUPPORT LEFT UB/SYSTEM	SUPPORT CH
7	AM3506318790	ASSIEME SUPPORTO CESTELLO EF2/45EPL	ZUSAMMENBAU HALTER KORB EF2/45EPL	ASSEMBLY HOLDER BASKET EF2/45EPL	ASSEMBLÉE
8	AM3510618670	ASSIEME TELAIO ESTRAIBILE EF1-EF2/45EP	ZUSAMMENBAU RAHMEN AUSZ. EF1-EF2/45EP	ASSEMBLY REMOVABLE FRAME. EF1-EF2/45EP	ASSEMBLÉE
9	AM3512014389	CERNIERA SINISTRA UB/SYSTEM	SCHARNIER OBEN L. UB/SYSTEM	HINGE LEFT UB/SYSTEM	CHARNIÈRE
10	AM3515418669	ASSIEME VASCA SCARICO OLIO EF1-EF2/45EP	ZUSAMMENBAU WANNE ÖLABLAUF EF1-EF2/45EP	OIL COLLECTING TRAY ASS. EF1-EF2/45EP	BAC DE REC
11	AM5000518518	TUBO ENTRATA OLIO EF1-EF2/45EP	ROHR ÖLEINLAUF EF1-EF2/45EP	INLET OIL EF1-EF2/45EP	Entrée d'huile
12	AM5000811198	COPERCHIO TONDO EY/FE/M	ABDECKUNG RUND EY/FE/M	ROUND CAP EY/FE/M	COUVERCLE
13	AM5000811199	COPERCHIO QUADRO EY/FE/M	ABDECKUNG RECHTECK EY/FE/M	COVER RECTANGULAR EY/FE/M	CAPOT RECT
14	AM5001118499	ASSE EF1-EF2/45EP	ACHSE EF1-EF2/45EP	AXIS EF1-EF2/45EP	AXE EF1-EF2
15	AM5005618388	MANIGLIA RUBINETTO A SFERA MF.63 N-6x6	GRIFF KUGELHAN MF.63 N-6x6	PLUG TAP HANDLE MF.63N-6x6	MANETTE D
16	AM5006311050	GANCIO RESISTENZA EY/FE/40M	SCHWENKHAKEN EY/FE/40M	SWIVELLING HOOK EY/FE/40M	CROCHET EY
17	AM5006317761	SUPPORTO FILTRO EF1-EF2/45-EP	HALTER FILTER EF1- EF2/45-EP	FILTER SUPPORT EF1 - EF2/45-EP	SUPPORT DR
18	AM5006318515	PRESA SUPPORTO CESTELLO EF1/45EP	AUFNAHME HALTER KORB EF1/45EP	HOLDER BASKET EF1/45EP	SUPPORT RA
19	AM5008518539	CUSCINETTO ASSIALE Ø12MM	AXIALKUGELLAGER Ø12MM	BEARING AXIAL Ø12mm	ROULEMENT
20	AM5010111158	SETACCIO RESIDUI PICC. EY/FE2/40M	PANADENSIEB KLEIN EY/FE2/40M	SMALL WIRE MESH SCREEN EY/FE2/40M	PETIT TAMIS
21	AM5011818666	MASCHERINA PER SCHEDA EF1/45EP	TASTÄTURFOLIE EF1/45EP	KEYBOARD FOIL FOR EF1/45EP	PLASTRON P
22	AM5017311175	GUARNIZIONE MICRO EY/FE/40M	DICHTUNG MIKRO EY/FE/40M	SEAL MIKRO EY/FE/40M	JOINT MICR
23	AM5017311179	GUARNIZIONE O-RING 50,52x1,78	DICHTUNG O-RING 50,52x1,78	O-RING GASKET 50,52x1,78	JOINT TORIC
24	AM5017318508	ANELLO O-RING 1,78 x 8,73	DICHTUNG O-RING 1,78 x 8,73	O-RING 1,78 x 8,73	JOINT D'ÉTA
25	AM5017318688	ANELLO O-RING 1,78 x 3,68	DICHTUNG O-RING 1,78 x 3,68	O-RING 1,78 x 3,68	JOINT D'ÉTA
26	AM5017318716	ANELLO O-RING 1,78 x 31,47	DICHTUNG O-RING 1,78 x 31,47	O-RING 1,78 x 31,47	JOINT D'ÉTA
27	AM5017334727	GUARNIZIONE RESISTENZE - 9EF/MA	DICHTUNG HEIZKÖRPER - 9EF/MA	GASKET RADIATOR - 9EF/MA	RADIATEUR
28	AM5018007498	VALVOLA A SFERA 1" R250D	KUGELVENTIL 1" R250D	BALL VALVE 1" R250D	SOUPAPE A
29	AM5019718389	ANTIVIBRANTI 25x20mm M6x14mm	SCHWINGUNGSDÄMPFER 25x20mm M6x14mm	SHOCK ABSORBERS 25x20mm M6x14mm	AMORTISSE
30	AM5020817745	CESTELLO FRIG. PICCOLO EF2/45EP	KORB FRITEUSE KLEIN EF2/45EP	SMALL FRYING BASKET EF2/45EP	PETIT PANIE
31	AM5024118676	SONDA DI TEMP. EF/45EP	SONDE EF/45EP	SENSOR EF/45EP	SONDE EF/45
32	AM5024618656	TUBO SILICONE SILFOOD-P DN9,5x16,5	SILIKONSCHLAUCH SILFOOD-P DN9,5x16,5	PIPE SILFOOD-P DN9,5x16,5	TUYAU SILFO
33	AM5027618391	BOCCOLA NYLON	KUNSTOFFBUCHSE NYLON	NYLON SOCKET	MANCHON E
34	AM5028510569	FASCETTA TUBO INOX 12-22/9 W4	ROHRSCHELLE INOX 12-22/9 W4	INOX PIPE CLAMP 12-22/9 W4	COLLIER DE
35	AM5031418503	ANELLO ELASTICO SICUREZZA INOX UNI 7435	SICHERUNGSRING INOX UNI 7435	SECURITY RING STEEL UNI 7435	ANNEAU DE
36	AM5031418506	PARAOILO DIN 3760	RADIAL-WELLENDICHTRING DIN 3760	OIL SEAL DIN 3760	JOINT D'HUI
37	AM5050918505	FILTRO OLIO IN TELA EF/45EP	ÖLFILTER EF/45EP	OIL FILTER EF/45EP	FILTRE A HU
38	AM5050918517	FILTRO CESTELLO EF1-EF2/45EP	FILTER KORB EF1-EF2/45EP	BASKET FILTER EF1-EF2/45EP	FILTRE DE P
39	AM5051218507	PORTAGOMMA CIL.1/8">10 454/A	"SCHLAUCHVERSCHR.1/8">10 454/A"	TUBE CONNECTION 1/8">10 454/A	RACCORD FI
40	AM5051218510	RACCORDO RAPIDO CON ATT. TUBO	VERSCHNIPSSELUNG MIT SCHLAUCHANSCHLUSS	QUICK FASTENING WITH PIPE CONNECTION	RCCORDEM
41	AM5051218511	INNESTO RAPIDO 3/8"	STECKNIPPEL 3/8"	QUICK CONNECTOR 3/8"	RACCORD A
42	AM5051218527	L MASCHIO 3/8"-Ø12	WINKELZWISCHENSTÜCK 3/8"-Ø12	ANGLE ADAPTER 3/8" - Ø12	ADAPTEUR
43	AM5060219281	CONNETTORE PER TERMOCOPIA TIPO K	STECKVERBINDER FÜR THERMOFÜHLER TYPE K	THERMOCOUPLE CONNECTOR TYPE K	CONNECTE
44	AM5060811194	RESISTENZA 7500W 400V EY/FE/40M	HEIZKÖRPER 7500W 400V EY/FE/40M	HEATING ELEMENT 7500W 400V EY/FE/40M	RÉSISTANCE
45	AM5060909894	MICROINTERRUTTORE EY/FE/40M	MIKROSCHALTER EY/FE/40M	MICRO SWITCH EY/FE/40M	MICROINTER
46	AM5061218386	ELETTROPOMPA AD INGRANAGGI EF/45EP	ELKTOZAHNRADPUMPE EF/45EP	GEARED ELECTRIC PUMP EF/45EP	E.POMPE A
47	AM5061218525	ATTUATORE LINEARE CLA20 C=110MM	SPINDEL MOTOR CLA20 C=110MM	SPINDLE MOTOR CLA20 C=110MM	MOTEUR BR
48	AM5062918674	MODULO PRINC. CENTRALINA ELETTR. EF/45EP	HAUPT-MODUL ELEKTRO STEUERUNG EF/45EP	ELECTRONIC CONTROL MAIN MODULE EF/45EP	MODULE PR
49	AM5062918675	SCHEDA COMANDI EF/45EP	VERTIKALES BEDIENUNGSTEIL EF/45EP	VERTICAL CONTROL UNIT EF/45EP	ÉLÉMENT DE
AM3560019019	EF2/45EPL	FRIGGITRICE ELETTRICA IMPIANTO ELETTRICO ELT-FRITEUSE ELEKTROIN.	ELECTRIC FRYER ELECTRIC. INST. FRITEUSE ÉLECTRIQUE INST.ELECTR.		
50	AM5050912346	FILTRO ANTIDISTURBO 130/240 V	SCHÜTZENTSTÖRFILTER 130/240 V	ANTI-INTERFERENCE FILTER 130/240 V	FILTRE ANTI
51	AM5060513982	MORSETTIERA GRIGIA 16QMM	UNIVERSALKLEMME GRAU 16QMM	GREY UNIVERSAL TERMINAL 16QMM	BORNE UNIV
52	AM5060513985	MORSETTO NEUTRO BLU 16QMM	NULL-LEITERKLEMME BLAU 16QMM	BLUE NEUTRAL TERMINAL 16QMM	BORNE DE N
53	AM5060513987	MORSETTO-TERRA GIALLOVERDE 6QMM	ERDUNGS-KLEMME GELBGRÜN 6QMM	EARTH TERMINAL GREEN YELLOW 6QMM	BORNE DE T
54	AM5060513988	MORSETTO DI TERRA GIALLOVERD.16QMM	ERDUNGS-KLEMME GELBGRÜN 16QMM	EARTH TERMINAL YELLOW/GREEN16QMM	BORNE DE T
55	AM5061211324	CONDENSATORE MFL 250V 6,3 µF	KONDENSATOR MFL 250V 6,3 µF	CONDENSATOR MFL 250V 6,3	CONDENSAT
56	AM5061407226	CONTATTORE CGE CL25A300T6 230V	SCHÜTZ CGE CL25A300T6 230V	CONTACTOR CGE CL25A300T6 230V	CONTACTE
57	AM5061610988	TERMOSTATO LIMITATORE EY/FE/40M	SICHERHEITSTHERMOSTAT EY/FE/40M	SAFETY THERMOSTAT EY/FE/40M	THERMOSTA
58	AM5061807231	FUSIBILE LA 01078-250V 5x20F.	GLASSICHERUNG FLINK 5x20F.6,3A	FUSE LA 01078-250V 5x20F.	FUSIBLE LA
59	AM5061807908	PORTA FUSIBILE SIEMENS	SICHERUNGSHALTER SIEMENS	FUSE-HOLDER SIEMENS	PORTE-FUSI
60	AM5062812746	TRASFORMATORE 230/9V 16VA	TRANSFORMATOR 230/9V 16VA	TRANSFORMER 230/9V 16VA	TRANSFORM
61	AM5060513981	MORSETTIERA GRIGIA 6QMM	UNIVERSALKLEMME GRAU 6QMM	UNIVERSAL TERMINAL GREY 6QMM	BORNIER UN
62	AM5061419151	RELE' AUSILIARE AC 8A/250V EF2/45-EP	HILFSRELAIS AC 8A/250V EF2/45-EP	AUXILIARY RELAY AC 8A/250V EF2/45-EP	RELAIS AUXI
63	AM5060519248	MORSETTO DUE PIANI GRIGIO	ZWEI-ETAGEN ANSCHLUSSKLEMME GRAU	GREY 2-LEVEL TERMINAL	BORNIER A
64	AM5060519249	TERMINALE MORSETTO A DUE PIANI	ABSCHL. ZWEI ETAGEN ANSCHLUSSKLEMME	2 WAYS TERMINAL END PLATE	PLAQUE FER