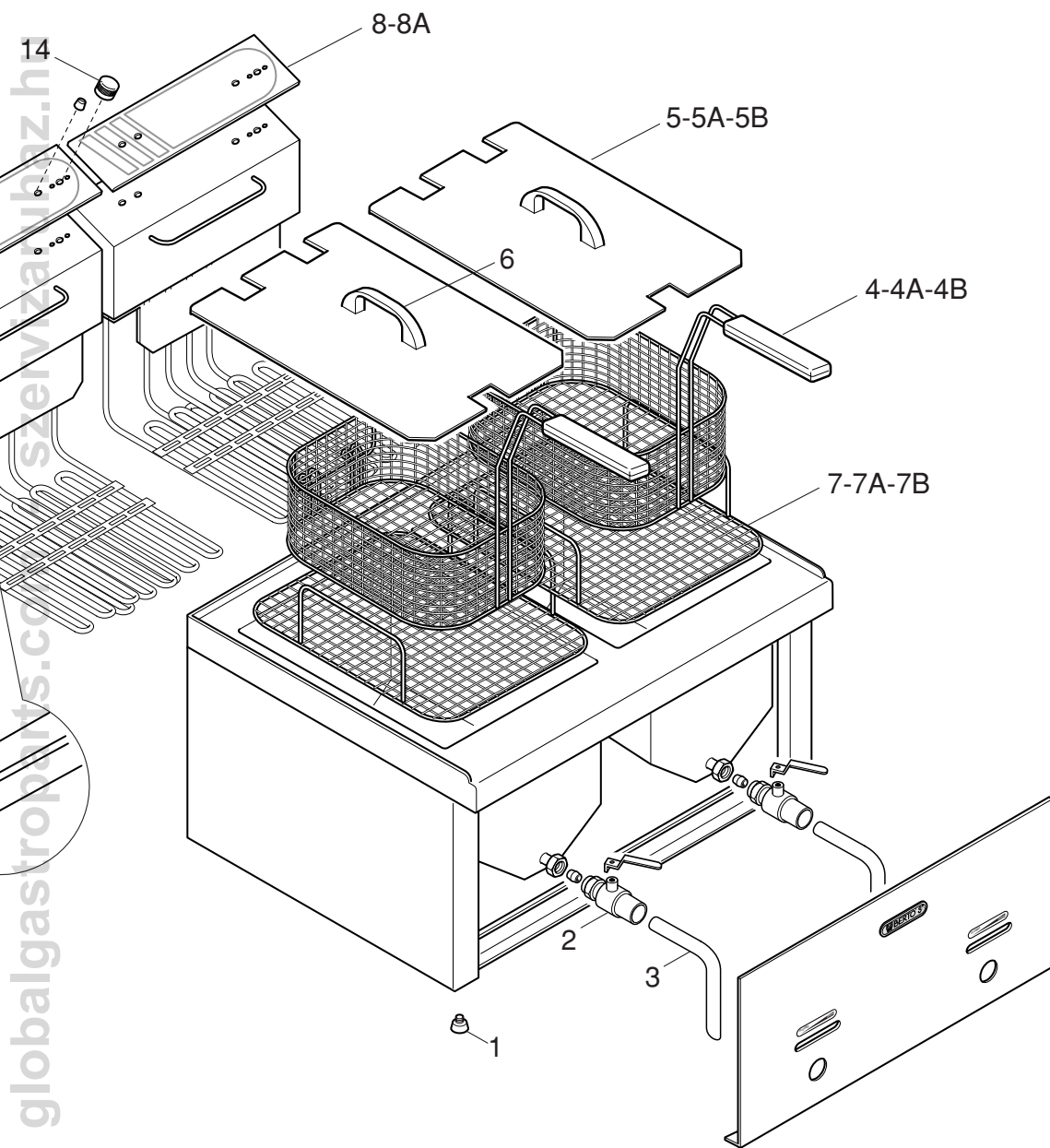


LT 10+10B-E MOD.ELT 12B-E MOD.ELT 12+12B-E MOD.ELT 15B MOD.ELT 15+15B
LT 15+15B-E MOD.ELT 18B MOD.ELT 18+18B MOD.ELT 18B-E MOD.ELT 18+18B-E



**ELT 10+10B-E MOD.ELT 12B-E MOD.ELT 12+12B-E MOD.ELT 15B MOD.ELT 15+15B
ELT 15+15B-E MOD.ELT 18B MOD.ELT 18+18B MOD.ELT 18B-E MOD.ELT 18+18B-E**

| DESCRIPTION | DÉSIGNATION ARTICLES | ARTIKELBESCHREIBUNG | DESCRIPCIÓN ARTÍCULOS | N° pezzi/ No. piezas/ Quantité | | | | | |
|---------------------------|------------------------------------|----------------------------------|--------------------------------------|--------------------------------|--|--|--|-------------------|------------------|
| | | | | Stückanzahl/ N° piezas | | | | SINGOLA SINGLE | DOPPIA DOUBLE |
| | Pied | Fuss | Pata | | | | | 4 | 4 |
| tap | Robinet de vidange | Abflusshahn | Grifo de descarga completo | | | | | 1 | 2 |
| elbow | Coude de vidange | Abfluss-winkelstück | Codo de descarga del aceite | | | | | 1 | 1 |
| ELT 8/10 GL 8 | Panier ELT 8/10 GL 8 | Korb ELT 8/10 GL 8 | Cesta ELT 8/10 GL 8 | | | | | 1 | 2 |
| ELT 12/15/30 | Panier ELT 12/15/30 | Korb ELT 12/15/30 | Cesta ELT 12/15/30 | | | | | 1 | 2 |
| GL10/15 | Panier GL10/15 | Korb GL 10/15 | Cesta GL 10/15 | | | | | 1 | 2 |
| cover ELT 10 | Couvercle panier ELT 10 | Korbabdeckung ELT 10 | Tapa para cesta ELT 10 | | | | | 1 | 2 |
| cover ELT 12-15 | Couvercle panier ELT 12-15 | Korbabdeckung ELT 12-15 | Tapa para cesta ELT 12 - 15 | | | | | 1 | 2 |
| cover ELT 18 | Couvercle panier ELT 18 | Korbabdeckung ELT 18 | Tapa para cesta ELT 18 | | | | | 1 | 2 |
| handle cover | Poignée du couvercle panier | Handgriff Korbabdeckung | Asa de la tapa para cesta | | | | | 1 | 2 |
| ter net GL 8/ELT10 | Crépine du filtre cuve GL 8/ELT10 | Netz wannenfilter GL 8/ELT10 | Malla de filtro cuba GL 8/ELT10 | | | | | 1 | 2 |
| ELT 12-15 | Crépine cuve ELT 12-15 | Wannennetz ELT 12-15 | Malla de filtro cuba ELT 12 -15 | | | | | 1 | 2 |
| ter net GL 10/15/ELT18 | Crép. du filtre cuve GL10/15/ELT18 | Netz wannenfilter GL 10/15/ELT18 | Malla de filtro cuba GL 10/15/ELT18 | | | | | 1 | 2 |
| control panel ELT 8/10/12 | Panneau de comm. ad. ELT 8/10/12 | Haftenes Steuerpanel ELT 8/10/12 | Cuadro de mandos ad. ELT 8/10/12 | | | | | 1 | 2 |
| ive control panel ELT 18 | Panneau de comm. ad. ELT 18 | Haftenes Steuerpanel ELT 18 | Cuadro de mandos adhesivo ELT | | | | | 1 | 2 |
| yellow/green round lamp | Témoin rond jaune/vert 400V | Gelb/Grüne Rundanzeige 400V | Piloto amarillo/verde redondo 400V | | | | | 1 | 2 |
| yellow/orange lamp | Témoin ond jaune/orange 400V | Gelb/Orange Rundanzeige 400V | Piloto amarillo/naranja redondo 400V | | | | | 1 | 2 |
| / 230V haeting element | Résistance 5000W 230V | Widerstand 5000W-230V | Resistencia 5000W 230V | | | | | 1 | 2 |
| / 230V haeting element | Résistance 6000W 230V | Widerstand 6000W-230V | Resistencia 6000W 230V | | | | | 1 | 2 |
| / 230V haeting element | Résistance 7000W 230V | Widerstand 7000W-230V | Resistencia 7000W 230V | | | | | 1 | 2 |
| / 230V haeting element | Résistance 9000W 230V | Widerstand 9000W-230V | Resistencia 9000W 230V | | | | | 1 | 2 |
| thermostat | Thermostat de sûreté | Sicherheitsthermostat | Term. de seguridad trifásico | | | | | 1 | 2 |
| ng thermostat | Thermostat de service | Betriebsthermostat | Termostato de trabajo trifásico | | | | | 1 | 2 |
| ostat knob | Manette du thermostat | Drehknopf Thermostat | Mando negro o "temporizador" | | | | | 1 | 2 |
| deal | Joint passe-câble | Dichtung Kugeldurchgang | Junta para bulbo | | | | | 1 | 2 |
| ip | Collier serre-bulbe | Kugel-Klemmfeder | Tenacillas para bulbo | | | | | 1 | 2 |
| guide | Passe-câble | Kabelführung | Aislador pasapanel | | | | | 1 | 2 |
| r microswitch | Micro-interrupteur bipolaire | Zweipol-Mikroschalter | Microinterruptor bipolar | | | | | 1 | 2 |