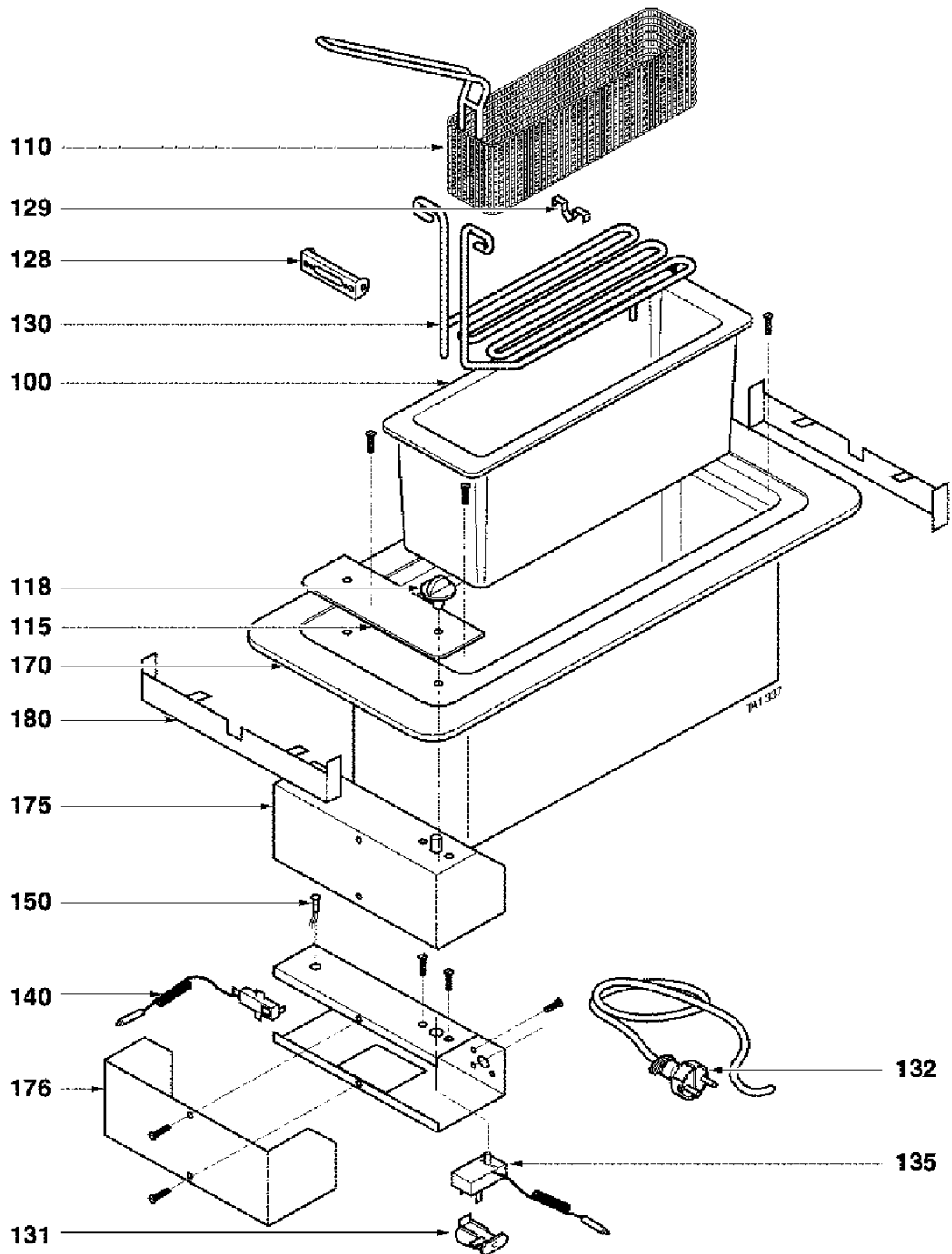


DTE702X
DTE702X1

De Dietrich 



TA1.337

DTE702X
DTE702X1

De Dietrich 



REP.	REF. SAV	DESIGNATION	REP.	REF. SAV	DESIGNATION
0	72X6231	JOINT SEAL DICHTUNG GIUNTO JUNTA	118	72X6236	MANETTE CONTROL KNOB KNEBEL MANOPOLA MANECILLA
0	72X6263	COUVERCLE VERRE GLASS LID GLASDECKEL COPERC. VETRO TAPADERA CRISTAL	128	72X6237	CHARNIERE HINGE SCHARNIER CERNIERA BISAGRA
0	72X6264	POIGNEE DE COUVERCLE HANDLE, COVER DECKELGRIFF MANIGLIA COPERCHIO TIRANTE DE TAPA	129	72X6260	CLIPS CLIP CLIPS CLIP CLIPS
0	72X6265	BARRE BAR ZUGSTANGE BARRA BARRA	130	72X6259	RESIST. CHAUFFANTE HEATER RESISTANCE HEIZWIDERSTAND RESISTENZA RISCALDAN RESIST. TÉRMICA
0	87X6858	NOTICE D'UTILISATION INSTRUCTIONS FOR USE BEDIENUNGSANLEITUNG LIBRETTO ISTRUZIONE INSTRUCC. DE EMPLEO	131	72X6239	BORNIER TERMINAL BLOCK KLEMME MORSETTIERA BORNERA
100	72X6258	CUVE TUB BEHÄLTER VASCA CUBA	132	72X6268	CORDON SECTEUR CORD, MAINS NETZKABEL CORDONE RETE EL. CORDON SECTOR
110	72X6261	PANIER BASKET KORB CESTELLO CESTO	135	72X6267	THERMOSTAT THERMOSTAT THERMOSTAT TERMOSTATO TERMOSTATO
115	72X6257	BANDEAU STRIP BAND CORNICE BANDA	140	72X6266	THERMOSTAT SECURITE SAFETY THERMOSTAT SICHERHEITSTHERMOSTA TERMOSTATO DI SICURE TERMOSTATO SEGURIDAD

DTE702X
DTE702X1

De Dietrich 



REP.	REF. SAV	DESIGNATION	REP.	REF. SAV	DESIGNATION
0	72X6231	JOINT SEAL DICHTUNG GIUNTO JUNTA	118	72X6236	MANETTE CONTROL KNOB KNEBEL MANOPOLA MANECILLA
0	72X6263	COUVERCLE VERRE GLASS LID GLASDECKEL COPERC. VETRO TAPADERA CRISTAL	128	72X6237	CHARNIERE HINGE SCHARNIER CERNIERA BISAGRA
0	72X6264	POIGNEE DE COUVERCLE HANDLE, COVER DECKELGRIFF MANIGLIA COPERCHIO TIRANTE DE TAPA	129	72X6260	CLIPS CLIP CLIPS CLIP CLIPS
0	72X6265	BARRE BAR ZUGSTANGE BARRA BARRA	130	72X6259	RESIST. CHAUFFANTE HEATER RESISTANCE HEIZWIDERSTAND RESISTENZA RISCALDAN RESIST. TÉRMICA
0	87X6858	NOTICE D'UTILISATION INSTRUCTIONS FOR USE BEDIENUNGSANLEITUNG LIBRETTO ISTRUZIONE INSTRUCC. DE EMPLEO	131	72X6239	BORNIER TERMINAL BLOCK KLEMME MORSETTIERA BORNERA
100	72X6258	CUVE TUB BEHÄLTER VASCA CUBA	132	72X6268	CORDON SECTEUR CORD, MAINS NETZKABEL CORDONE RETE EL. CORDON SECTOR
110	72X6261	PANIER BASKET KORB CESTELLO CESTO	135	72X6267	THERMOSTAT THERMOSTAT THERMOSTAT TERMOSTATO TERMOSTATO
115	72X6257	BANDEAU STRIP BAND CORNICE BANDA	140	72X6266	THERMOSTAT SECURITE SAFETY THERMOSTAT SICHERHEITSTHERMOSTA TERMOSTATO DI SICURE TERMOSTATO SEGURIDAD

DTE702X
DTE702X1

De Dietrich 



REP.	REF. SAV	DESIGNATION	REP.	REF. SAV	DESIGNATION
0	72X6231	JOINT SEAL DICHTUNG GIUNTO JUNTA	118	72X6236	MANETTE CONTROL KNOB KNEBEL MANOPOLA MANECILLA
0	72X6263	COUVERCLE VERRE GLASS LID GLASDECKEL COPERC. VETRO TAPADERA CRISTAL	128	72X6237	CHARNIERE HINGE SCHARNIER CERNIERA BISAGRA
0	72X6264	POIGNEE DE COUVERCLE HANDLE, COVER DECKELGRIFF MANIGLIA COPERCHIO TIRANTE DE TAPA	129	72X6260	CLIPS CLIP CLIPS CLIP CLIPS
0	72X6265	BARRE BAR ZUGSTANGE BARRA BARRA	130	72X6259	RESIST. CHAUFFANTE HEATER RESISTANCE HEIZWIDERSTAND RESISTENZA RISCALDAN RESIST. TÉRMICA
0	87X6858	NOTICE D'UTILISATION INSTRUCTIONS FOR USE BEDIENUNGSANLEITUNG LIBRETTO ISTRUZIONE INSTRUCC. DE EMPLEO	131	72X6239	BORNIER TERMINAL BLOCK KLEMME MORSETTIERA BORNERA
100	72X6258	CUVE TUB BEHÄLTER VASCA CUBA	132	72X6268	CORDON SECTEUR CORD, MAINS NETZKABEL CORDONE RETE EL. CORDON SECTOR
110	72X6261	PANIER BASKET KORB CESTELLO CESTO	135	72X6267	THERMOSTAT THERMOSTAT THERMOSTAT TERMOSTATO TERMOSTATO
115	72X6257	BANDEAU STRIP BAND CORNICE BANDA	140	72X6266	THERMOSTAT SECURITE SAFETY THERMOSTAT SICHERHEITSTHERMOSTA TERMOSTATO DI SICURE TERMOSTATO SEGURIDAD

DTE702X
DTE702X1

De Dietrich 



REP.	REF. SAV	DESIGNATION	REP.	REF. SAV	DESIGNATION
0	72X6231	JOINT SEAL DICHTUNG GIUNTO JUNTA	118	72X6236	MANETTE CONTROL KNOB KNEBEL MANOPOLA MANECILLA
0	72X6263	COUVERCLE VERRE GLASS LID GLASDECKEL COPERC. VETRO TAPADERA CRISTAL	128	72X6237	CHARNIERE HINGE SCHARNIER CERNIERA BISAGRA
0	72X6264	POIGNEE DE COUVERCLE HANDLE, COVER DECKELGRIFF MANIGLIA COPERCHIO TIRANTE DE TAPA	129	72X6260	CLIPS CLIP CLIPS CLIP CLIPS
0	72X6265	BARRE BAR ZUGSTANGE BARRA BARRA	130	72X6259	RESIST. CHAUFFANTE HEATER RESISTANCE HEIZWIDERSTAND RESISTENZA RISCALDAN RESIST. TÉRMICA
0	87X6858	NOTICE D'UTILISATION INSTRUCTIONS FOR USE BEDIENUNGSANLEITUNG LIBRETTO ISTRUZIONE INSTRUCC. DE EMPLEO	131	72X6239	BORNIER TERMINAL BLOCK KLEMME MORSETTIERA BORNERA
100	72X6258	CUVE TUB BEHÄLTER VASCA CUBA	132	72X6268	CORDON SECTEUR CORD, MAINS NETZKABEL CORDONE RETE EL. CORDON SECTOR
110	72X6261	PANIER BASKET KORB CESTELLO CESTO	135	72X6267	THERMOSTAT THERMOSTAT THERMOSTAT TERMOSTATO TERMOSTATO
115	72X6257	BANDEAU STRIP BAND CORNICE BANDA	140	72X6266	THERMOSTAT SECURITE SAFETY THERMOSTAT SICHERHEITSTHERMOSTA TERMOSTATO DI SICURE TERMOSTATO SEGURIDAD

DTE702X
DTE702X1

De Dietrich 



REP.	REF. SAV	DESIGNATION	REP.	REF. SAV	DESIGNATION
0	72X6231	JOINT SEAL DICHTUNG GIUNTO JUNTA	118	72X6236	MANETTE CONTROL KNOB KNEBEL MANOPOLA MANECILLA
0	72X6263	COUVERCLE VERRE GLASS LID GLASDECKEL COPERC. VETRO TAPADERA CRISTAL	128	72X6237	CHARNIERE HINGE SCHARNIER CERNIERA BISAGRA
0	72X6264	POIGNEE DE COUVERCLE HANDLE, COVER DECKELGRIFF MANIGLIA COPERCHIO TIRANTE DE TAPA	129	72X6260	CLIPS CLIP CLIPS CLIP CLIPS
0	72X6265	BARRE BAR ZUGSTANGE BARRA BARRA	130	72X6259	RESIST. CHAUFFANTE HEATER RESISTANCE HEIZWIDERSTAND RESISTENZA RISCALDAN RESIST. TÉRMICA
0	87X6858	NOTICE D'UTILISATION INSTRUCTIONS FOR USE BEDIENUNGSANLEITUNG LIBRETTO ISTRUZIONE INSTRUCC. DE EMPLEO	131	72X6239	BORNIER TERMINAL BLOCK KLEMME MORSETTIERA BORNERA
100	72X6258	CUVE TUB BEHÄLTER VASCA CUBA	132	72X6268	CORDON SECTEUR CORD, MAINS NETZKABEL CORDONE RETE EL. CORDON SECTOR
110	72X6261	PANIER BASKET KORB CESTELLO CESTO	135	72X6267	THERMOSTAT THERMOSTAT THERMOSTAT TERMOSTATO TERMOSTATO
115	72X6257	BANDEAU STRIP BAND CORNICE BANDA	140	72X6266	THERMOSTAT SECURITE SAFETY THERMOSTAT SICHERHEITSTHERMOSTA TERMOSTATO DI SICURE TERMOSTATO SEGURIDAD

DTE702X
DTE702X1

De Dietrich 



REP.	REF. SAV	DESIGNATION	REP.	REF. SAV	DESIGNATION
150	72X6242	VOYANT DE CONTROLE CONTROL INDICATOR KONTROLLANZEIGE SPIA CONTROLLO PILOTO DE CONTROL	175	72X6255	BOITIER COMMANDES CONTROL BOX SCHALTGEHÄUSE SCATOLA COMANDI CAJA MANDO
170	72X6256	PLATINE ENCASTREMENT BUILT-IN FITTING PLA EINBAUPLATINE PIASTRA INCASSO PLETINA EMPOTRAMIENT	176	72X6245	BOITIER BOX GEHÄUSE SCATOLA CAJA
			180	72X6262	SACHET FIXATION MOUNTING SACHET BEFESTIGUNG TÜTE SACCHETTO FISSAZIONE BOLSA SUJECIÓN

DTE702X
DTE702X1

De Dietrich 



REP.	REF. SAV	DESIGNATION	REP.	REF. SAV	DESIGNATION
150	72X6242	VOYANT DE CONTROLE CONTROL INDICATOR KONTROLLANZEIGE SPIA CONTROLLO PILOTO DE CONTROL	175	72X6255	BOITIER COMMANDES CONTROL BOX SCHALTGEHÄUSE SCATOLA COMANDI CAJA MANDO
170	72X6256	PLATINE ENCASTREMENT BUILT-IN FITTING PLA EINBAUPLATINE PIASTRA INCASSO PLETINA EMPOTRAMIENT	176	72X6245	BOITIER BOX GEHÄUSE SCATOLA CAJA
			180	72X6262	SACHET FIXATION MOUNTING SACHET BEFESTIGUNG TÜTE SACCHETTO FISSAZIONE BOLSA SUJECIÓN

DTE702X
DTE702X1

De Dietrich 



REP.	REF. SAV	DESIGNATION	REP.	REF. SAV	DESIGNATION
150	72X6242	VOYANT DE CONTROLE CONTROL INDICATOR KONTROLLANZEIGE SPIA CONTROLLO PILOTO DE CONTROL	175	72X6255	BOITIER COMMANDES CONTROL BOX SCHALTGEHÄUSE SCATOLA COMANDI CAJA MANDO
170	72X6256	PLATINE ENCASTREMENT BUILT-IN FITTING PLA EINBAUPLATINE PIASTRA INCASSO PLETINA EMPOTRAMIENT	176	72X6245	BOITIER BOX GEHÄUSE SCATOLA CAJA
			180	72X6262	SACHET FIXATION MOUNTING SACHET BEFESTIGUNG TÜTE SACCHETTO FISSAZIONE BOLSA SUJECIÓN

DTE702X
DTE702X1

De Dietrich 



REP.	REF. SAV	DESIGNATION	REP.	REF. SAV	DESIGNATION
150	72X6242	VOYANT DE CONTROLE CONTROL INDICATOR KONTROLLANZEIGE SPIA CONTROLLO PILOTO DE CONTROL	175	72X6255	BOITIER COMMANDES CONTROL BOX SCHALTGEHÄUSE SCATOLA COMANDI CAJA MANDO
170	72X6256	PLATINE ENCASTREMENT BUILT-IN FITTING PLA EINBAUPLATINE PIASTRA INCASSO PLETINA EMPOTRAMIENT	176	72X6245	BOITIER BOX GEHÄUSE SCATOLA CAJA
			180	72X6262	SACHET FIXATION MOUNTING SACHET BEFESTIGUNG TÜTE SACCHETTO FISSAZIONE BOLSA SUJECIÓN

DTE702X
DTE702X1

De Dietrich 



REP.	REF. SAV	DESIGNATION	REP.	REF. SAV	DESIGNATION
150	72X6242	VOYANT DE CONTROLE CONTROL INDICATOR KONTROLLANZEIGE SPIA CONTROLLO PILOTO DE CONTROL	175	72X6255	BOITIER COMMANDES CONTROL BOX SCHALTGEHÄUSE SCATOLA COMANDI CAJA MANDO
170	72X6256	PLATINE ENCASTREMENT BUILT-IN FITTING PLA EINBAUPLATINE PIASTRA INCASSO PLETINA EMPOTRAMIENT	176	72X6245	BOITIER BOX GEHÄUSE SCATOLA CAJA
			180	72X6262	SACHET FIXATION MOUNTING SACHET BEFESTIGUNG TÜTE SACCHETTO FISSAZIONE BOLSA SUJECIÓN