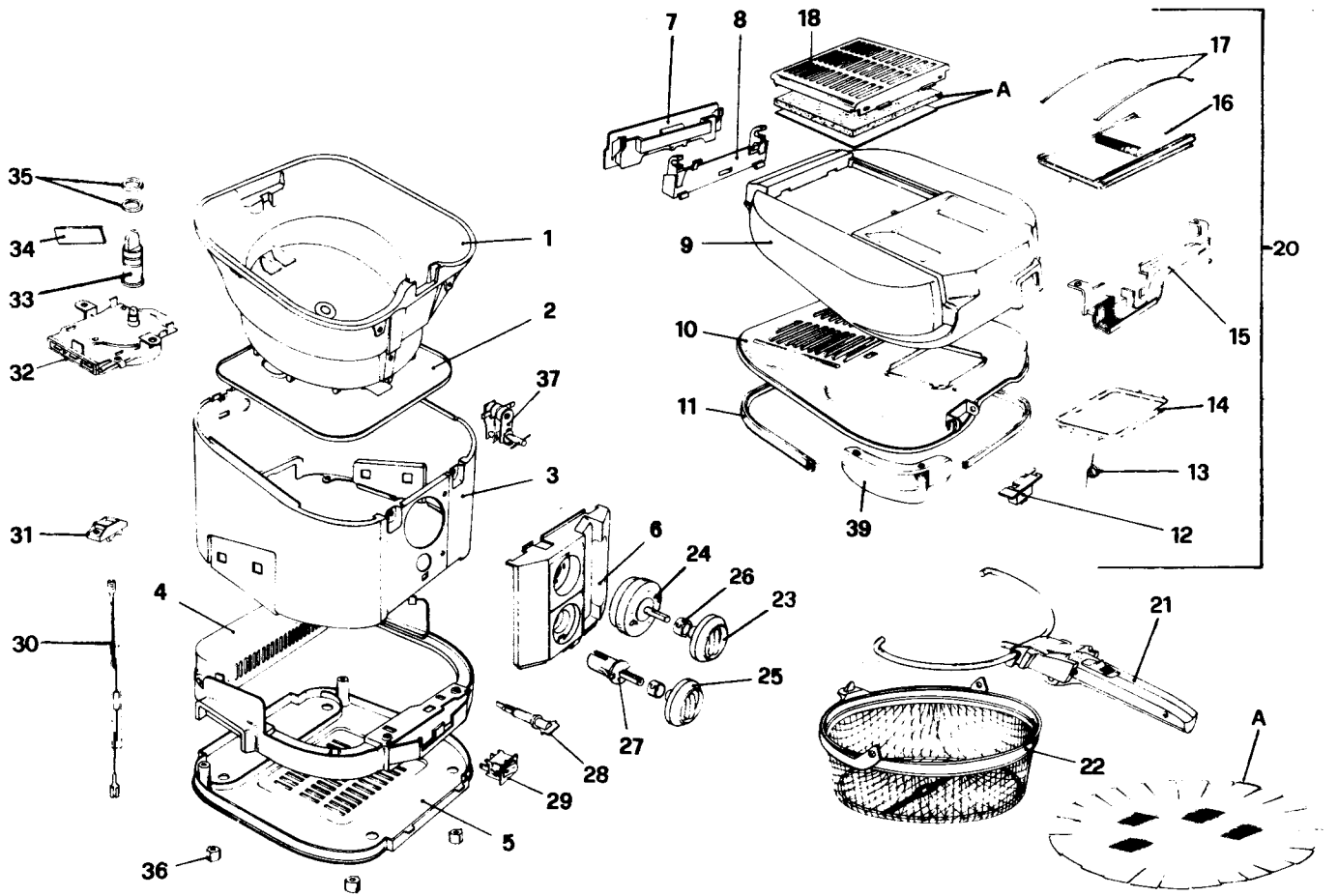




SERVICE

DE'LONGHI "AUS" FRM/W



Pos	Codice	Italiano	English	Francais	Deutsch	Espanol
	<b>563412</b>	POLISTIROLO SX	POLYSTYRENE LEFT	POLYSTYRENE GAUCHE	STYROPOR LINKS	POLIESTIROL IZQUIERDA
	<b>563413</b>	POLISTIROLO DX	POLYSTYRENE RIGHT	POLYSTYRENE DROITE	STYROPOR RECHTS	POLIESTIROL DERECHA
	<b>568718</b>	SCATOLA IMBALLO	CARTON PACKAGING	CARTON D'EMBALLAGE	VERPACKUNGSKARTON	CAJA EMBALAJE
	<b>573414</b>	ISTRUZIONI	INSTRUCTION BOOK	MODE D'EMPLOI	BEDIENUNGSANLEITUNG	ISTRUCCION
01	<b>685237</b>	VASCA	PAN	CUVE	BEHAELTER	CUBA
02	<b>690403</b>	SEPARATORE	SEPARATOR	SEPARATEUR	TRENNER	SEPARADOR
03	<b>708574</b>	INVOLUCRO	CASING	ENVELOPPE	GEHAEUSE	ENVOLTURA
04	<b>535346</b>	PIEDISTALLO	PEDESTAL	PIEDESTAL	SOCKEL	PEDESTAL
05	<b>552223</b>	FONDO	BOTTOM	FOND	BODEN	FONDO
06	<b>592690</b>	CRUSCOTTO	CONTROL PANEL	Tableau de Commande	BEDIENUNGSBLENDE	Marco Panel Mandos
07	<b>535400</b>	VASCHETTA	TRAY	CUVETTE	BEHAELTER	CUBETA
08	<b>535349</b>	CERNIERA	HINGE	CHARNIERE	SCHARNIER	BISAGRA
09	<b>592689</b>	COPERCHIO	COVER	COUVERCLE	DECKEL	TAPA
10	<b>690090</b>	CONTROCOPERCHIO	INNER COVER	CONTRE COUVERCLE	GEGENDECKEL	DOBLE TAPA
11	<b>532202</b>	GUARNIZIONE	GASKET	JOINT	DICHTUNG	GUARNICION
12	<b>534602</b>	GANCIO	HOOK	CROCHET	HAKEN	GANCHO
13	<b>611278</b>	MOLLA	SPRING	RESSORT	FEDER	MUELLE
14	<b>532204</b>	GUARNIZIONE	GASKET	JOINT	DICHTUNG	GUARNICION
15	<b>532203</b>	CHIUSURA	CLOSURE	FERMETURE	VERSCHLUSS	CIERRE
16	<b>551455</b>	OBLO'	DOOR	HUBLLOT	SICHTFENSTER	PORTILLO
17	<b>611279</b>	MOLLA	SPRING	RESSORT	FEDER	MUELLE
18	<b>535115</b>	CHIUSURA	CLOSURE	FERMETURE	VERSCHLUSS	CIERRE
20	<b>737036</b>	COPERCHIO	COVER	COUVERCLE	DECKEL	TAPA
21	<b>735665</b>	MANIGLIA	HANDLE	POIGNEE	GRIFF	MANILLA
22	<b>732029</b>	CESTELLO	BASKET	PANIER	KORB	CESTO
23	<b>592070</b>	MANOPOLA	KNOB	BOUTON	KNOPF	MANDO
24	<b>521096</b>	TIMER 20'	TIMER 20'	PROGRAMMATEUR 20'	TIMER 20'	TIMER 20'
25	<b>592071</b>	MANOPOLA	KNOB	BOUTON	KNOPF	MANDO
26	<b>602650</b>	ANELLO	RING	ANNEAU	RING	ANILLO
27	<b>533736</b>	PROLUNGA	EXTENSION	RALLONGE	VERLAENGERUNG	PROLONGACION
28	<b>511587</b>	SPIA	WARNING LIGHT	TEMOIN LUMINEUX	KONTROLLEUCHTE	PILOTO
29	<b>512600</b>	INTERRUTTORE	SWITCH	INTERRUPTEUR	SCHALTER	INTERRUPTOR
30	<b>505415</b>	TCO	TCO	SECURITE DE SURCHAUFFAGE	UEBERTEMPERATURSICHERUNG	FUSIBILE TERMICO
31	<b>533921</b>	SERRACAPO	WIRE CLAMP	SERRE CABLE	KABELSCHELLE	GRAPA
32	<b>512517</b>	MOTORE	MOTOR	MOTEUR	MOTOR	MOTOR
33	<b>622063</b>	PERNO	PIN	PIVOT	STIFT	PERNO
34	<b>532509</b>	FASCETTA	CLIP CLAMP	COLLIER	SHELLE	ABRAZADERA
35	<b>532524</b>	GUARNIZIONE	GASKET	JOINT	DICHTUNG	GUARNICION
36	<b>532233</b>	GOMMINO	RUBBER PAD	PARE CHOCS	PUFFER	GUARNICION
37	<b>521095</b>	TERMOSTATO	THERMOSTAT	THERMOSTAT	THERMOSTAT	TERMOSTATO
39	<b>621574</b>	PROTEZIONE	PROTECTION	PROTECTION	SCHUTZ	PROTECCION

DE'LONGHI "AUS" FRM/W COD.0125100055