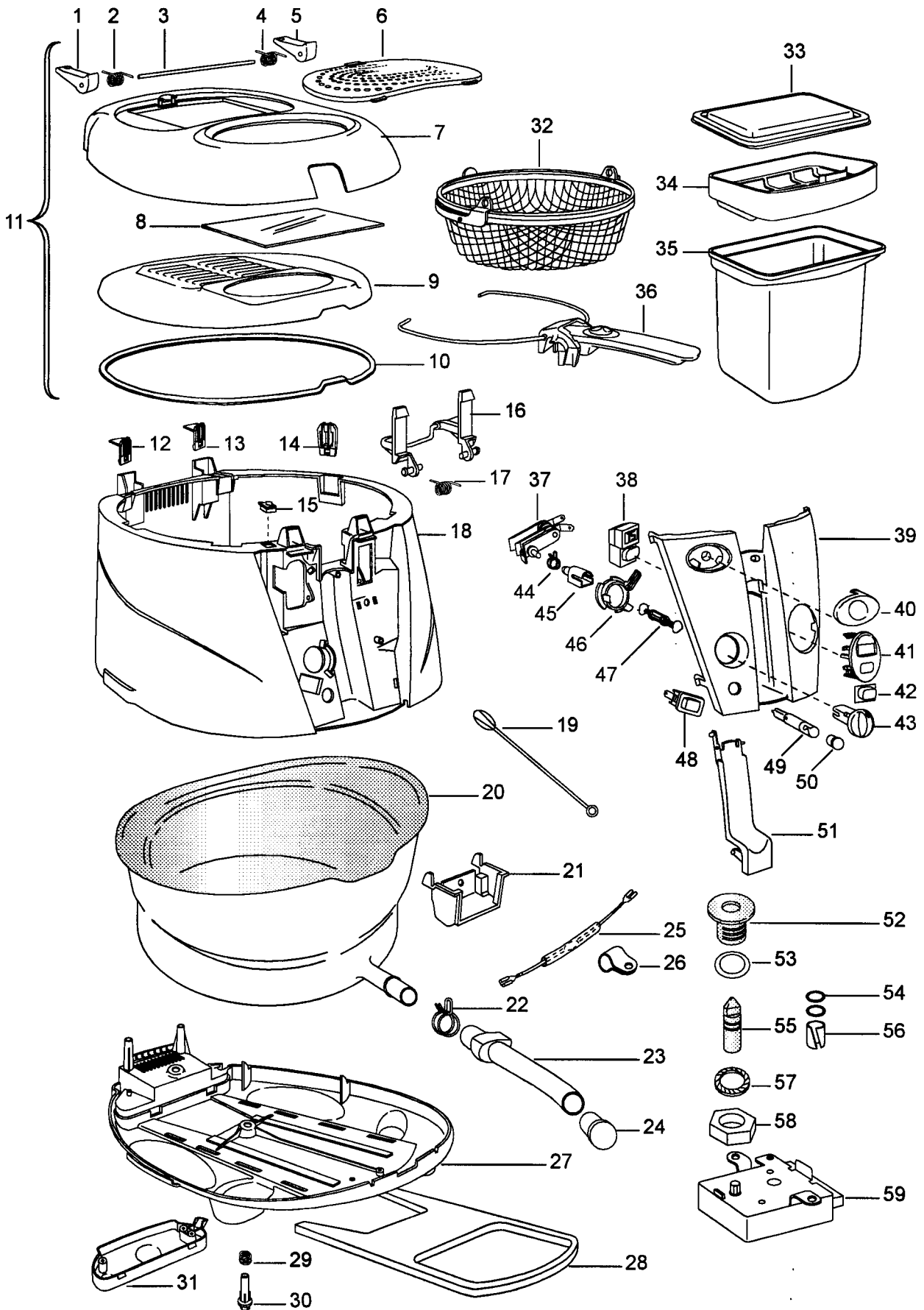




0125890002

DE'LONGHI "CDN" D-895C



| Pos | Codice | Italiano | English | Francais | Deutsch | Espanol |
|-----|-------------------|-----------------|---------------|---------------------|------------------|--------------------|
| 001 | 5325103800 | CERNIERA SX | HINGE LEFT | CHARNIERE GAUCHE | SCHARNIER LINKS | BISAGRA IZQUIERDA |
| 002 | 6125100300 | MOLLA | SPRING | RESSORT | FEDER | MUELLE |
| 003 | 6125100400 | PERNO | PIN | PIVOT | STIFT | PERNO |
| 004 | 6125100200 | MOLLA | SPRING | RESSORT | FEDER | MUELLE |
| 005 | 5325101600 | CERNIERA DX | HINGE RIGHT | CHARNIERE DROITE | SCHARNIER RECHTS | BISAGRA DERECHA |
| 006 | 5325105200 | GRIGLIA | GRID | GRILLE | GITTER | PARRILLA |
| 007 | 5325105000 | COPERCHIO | COVER | COUVERCLE | DECKEL | TAPA |
| 008 | 5325103500 | VETRINO | GLASS | VERRE | GLAS | VIDRIO |
| 009 | 6925100700 | CONTROCOPERCHIO | INNER COVER | CONTRE COUVERCLE | GEGENDECKEL | DOBLE TAPA |
| 010 | 5325103700 | GUARNIZIONE | GASKET | JOINT | DICHTUNG | GUARNICION |
| 011 | 7325107600 | COPERCHIO | COVER | COUVERCLE | DECKEL | TAPA |
| 012 | 5325104800 | DISTANZIALE | SPACER | ENTRETOISE | DISTANZSTUECK | DISTANCIADOR |
| 013 | 5325104900 | DISTANZIALE | SPACER | ENTRETOISE | DISTANZSTUECK | DISTANCIADOR |
| 014 | 5325104700 | DISTANZIALE | SPACER | ENTRETOISE | DISTANZSTUECK | DISTANCIADOR |
| 015 | 5325106500 | TAPPO | STOPPER | BOUCHON | STOEPSSEL | TAPON |
| 016 | 5525100200 | GANCIO | HOOK | CROCHET | HAKEN | GANCHO |
| 017 | 6125100800 | MOLLA | SPRING | RESSORT | FEDER | MUELLE |
| 018 | 5325101700 | INVOLUCRO | CASING | ENVELOPPE | GEHAEUSE | ENVOLTURA |
| 019 | 536330 | SPAZZOLINO | BRUSH | BROSSE | BUERSTCHEN | CEPILLO |
| 020 | 7325108300 | VASCA | PAN | CUVE | BEHAELTER | CUBA |
| 021 | 5325112000 | BLOCCHETTO | BLOCK | BLOC | STUECK | BLOQUE |
| 022 | 9824800015 | FASCETTA | CLIP CLAMP | COLLIER | SHELLE | ABRAZADERA |
| 023 | 536159 | TUBO | TUBE | TUBE | ROHR | TUBO |
| 024 | 5325105300 | TAPPO | STOPPER | BOUCHON | STOEPSSEL | TAPON |
| 025 | 511816 | TERMOFUSIBILE | FUSE | FUSIBLE | SCHMELZSICHERUNG | FUSIBLE |
| 026 | 6225101200 | FERMO | STOP | ARRET | SPERRUNG | TOPE |
| 027 | 5325102700 | PIEDISTALLO | PEDESTAL | PIEDESTAL | SOCKEL | PEDESTAL |
| 028 | 5525100900 | CASSETTO | DRAWER | TIROIR | SCHUBFACH | CAJON |
| 029 | 611912 | MOLLA | SPRING | RESSORT | FEDER | MUELLE |
| 030 | 5325106400 | BOCCOLA | BUSH | BOUCLE | BUCHSE | CASQUILLO |
| 031 | 5325102800 | FONDO | BOTTOM | FOND | BODEN | FONDO |
| 032 | 7325107500 | CESTELLO | BASKET | PANIER | KORB | CESTO |
| 033 | 5325106700 | COPERCHIETTO | COVER | COUVERCLE | DECKEL | TAPADERA |
| 034 | 5525100800 | FILTRO | FILTER | FILTRE | FILTER | FILTRO |
| 035 | 5325106600 | CONTENITORE | CONTAINER | RESERVOIR | BEHAELTER | CONTENEDOR |
| 036 | 7325107800 | IMPUGNATURA | HANDLE | POIGNEE | GRIFF | EMPUÑADURA |
| 037 | 5225100700 | TERMOSTATO | THERMOSTAT | THERMOSTAT | THERMOSTAT | TERMOSTATO |
| 038 | 5225100200 | TIMER | TIMER | PROGRAMMATEUR | ZEITSCHALTUHR | TIMER |
| 039 | 5925106300 | CRUSCOTTO | CONTROL PANEL | Tableau de Commande | BEDIENUNGSBLENDE | Marco Panel Mandos |
| 040 | 5325104600 | TASTO | PUSH BUTTON | POUSSOIR | TASTE | TECLA |
| 041 | 5325107000 | SUPPORTO | SUPPORT | SUPPORT | HALTER | SOPORTE |
| 042 | 5325107100 | TASTO | PUSH BUTTON | POUSSOIR | TASTE | TECLA |
| 043 | 5325102500 | MANOPOLA | KNOB | BOUTON | KNOPF | MANDO |
| 044 | 9824800014 | FASCETTA | CLIP CLAMP | COLLIER | SHELLE | ABRAZADERA |
| 045 | 5325103900 | BOCCOLA | BUSH | BOUCLE | BUCHSE | CASQUILLO |
| 046 | 5325104000 | BOCCOLA | BUSH | BOUCLE | BUCHSE | CASQUILLO |
| 047 | 5325102600 | PROLUNGA | EXTENSION | RALLONGE | VERLAENGERUNG | PROLONGACION |
| 048 | 512108 | INTERRUTTORE | SWITCH | INTERRUPTEUR | SCHALTER | INTERRUPTOR |
| 049 | 513080 | LAMPADA | LAMP | LAMPE | LAMPE | LAMPARA |
| 050 | 536685 | GEMMA | LENS | LENTILLE | LINSE | PILOTO |
| 051 | 5925106400 | PORTINA | DOOR | PORTE | TUER | PUERTA |
| 052 | 6225101300 | FLANGIA | FLANGE | BRIDE | FLANSCH | BRIDA |
| 053 | 5325111100 | GUARNIZIONE | GASKET | JOINT | DICHTUNG | GUARNICION |
| 054 | 532524 | GUARNIZIONE | GASKET | JOINT | DICHTUNG | GUARNICION |
| 055 | 622063 | PERNO | PIN | PIVOT | STIFT | PERNO |
| 056 | 532509 | FASCETTA | CLIP CLAMP | COLLIER | SHELLE | ABRAZADERA |
| 057 | 9821002346 | RONDELLA | WASHER | RONDELLE | SCHEIBE | RONDANA |
| 058 | 9815002086 | DADO | NUT | ECROU | MUTTER | DADO |
| 059 | 512986 | MOTORE | MOTOR | MOTEUR | MOTOR | MOTOR |