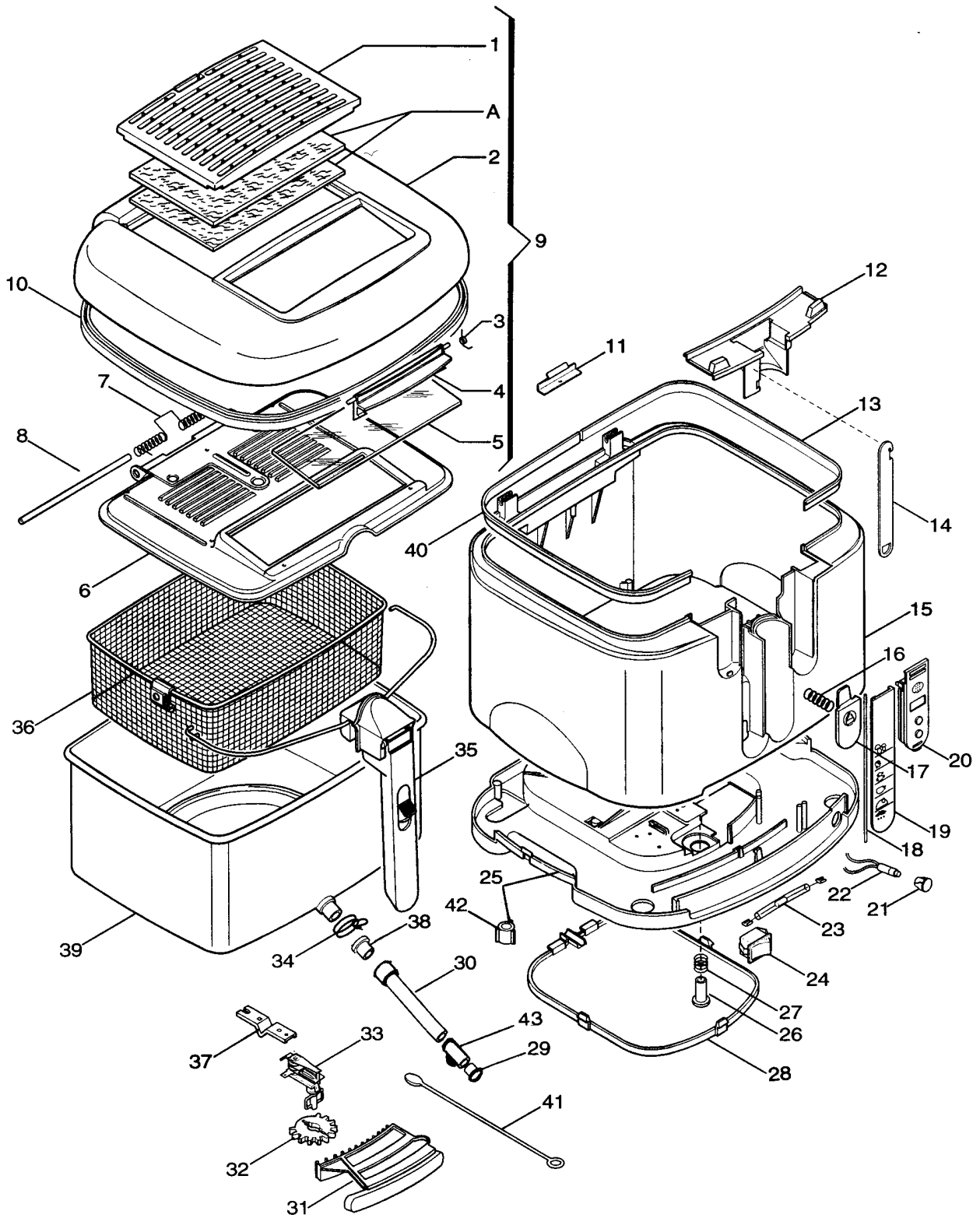




0125770002

# SERVICE

DE'LONGHI "USA/CDN" D-45



| Position | Code       | description       |
|----------|------------|-------------------|
|          | 568620     | POLYSTYRENE RIGHT |
|          | 568621     | POLYSTYRENE LEFT  |
| 001      | 536125     | GRID              |
| 002      | 592656     | COVER             |
| 003      | 611930     | SPRING            |
| 004      | 536126     | HOOK              |
| 005      | 536275     | DOOR              |
| 006      | ES000      | *NOT AVAILABLE    |
| 007      | 611929     | SPRING            |
| 009      | 737010     | COVER             |
| 010      | 536585     | GASKET            |
| 011      | 607749     | STOP              |
| 012      | 536128     | CLOSURE           |
| 014      | 622270     | PROTECTION        |
| 015      | 536698     | CASING            |
| 016      | 611937     | SPRING            |
| 018      | 611928     | PIN               |
| 019      | 592718     | DOOR              |
| 020      | 521522     | TIMER             |
| 021      | 536335     | LENS              |
| 022      | 512819     | WARNING LIGHT     |
| 023      | 511816     | FUSE              |
| 024      | 5112510031 | SWITCH            |
| 025      | 552576     | PEDESTAL          |
| 026      | 536102     | SPACER            |
| 027      | 611912     | SPRING            |
| 030      | 536250     | DRAIN HOSE        |
| 031      | 592719     | PUSH BUTTON COVER |
| 032      | 536256     | GEAR              |
| 033      | 521519     | THERMOSTAT        |
| 034      | 9824800017 | CLIP CLAMP        |
| 035      | 7325117200 | HANDLE            |
| 036      | 708970     | BASKET            |
| 037      | 607994     | BRACKET           |
| 038      | 536251     | CONNECTION        |
| 039      | 737241     | PAN               |
| 040      | 536152     | FRAME             |

|     |        |            |
|-----|--------|------------|
| 041 | 536330 | BRUSH      |
| 042 | 532233 | RUBBER PAD |
| 043 | 535334 | BODY       |