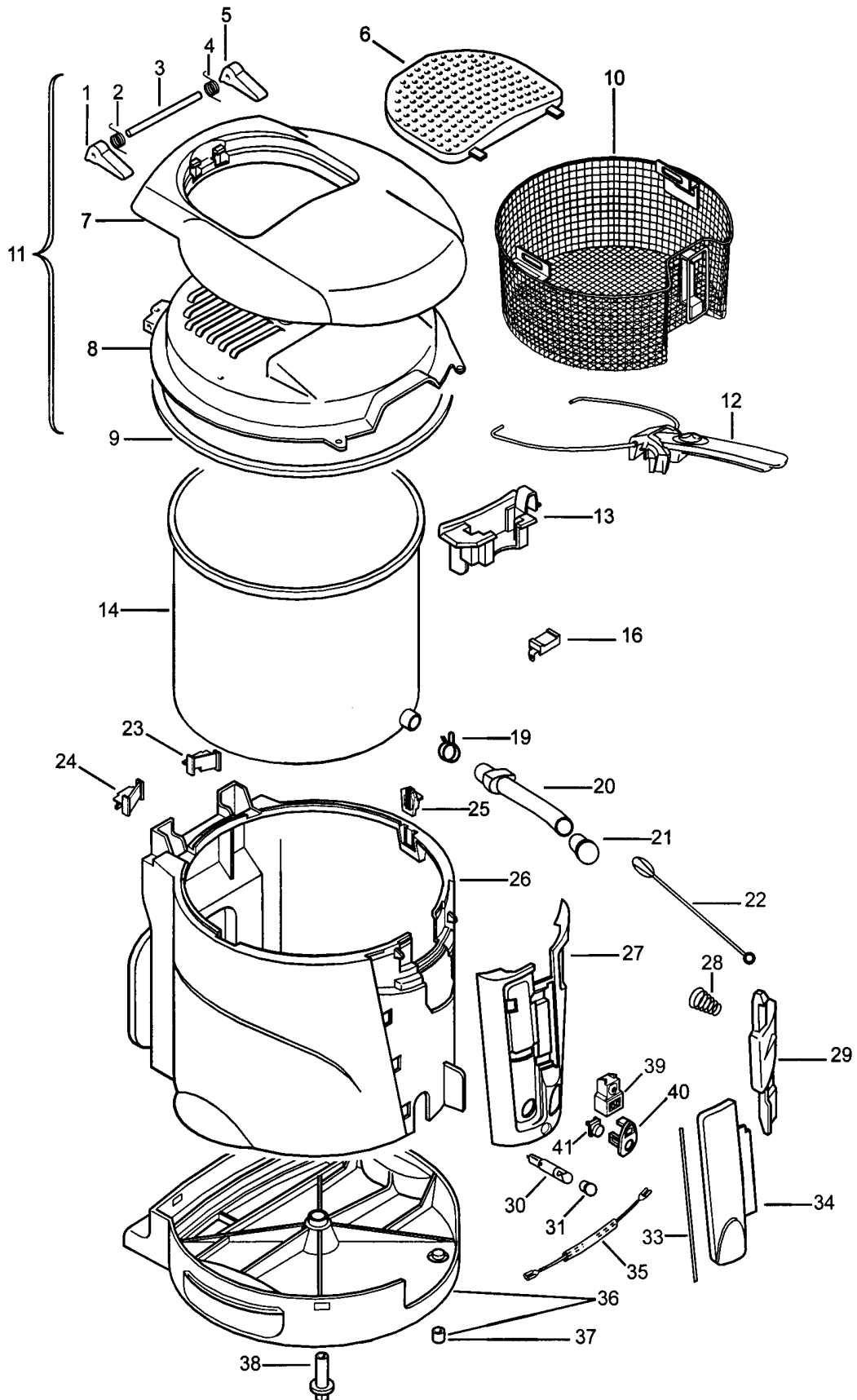




0125674000

DE'LONGHI "USA" D660U



Position	Code	description
01	5325112900	HINGE LEFT
02	6125102600	SPRING
03	6125101900	PIN
04	6125102500	SPRING
05	5325113000	HINGE RIGHT
06	5325121400	GRID
07	5325121500	COVER
08	6925102900	INNER COVER
09	5325143300	GASKET
10	7025105700	BASKET
12	7312577499	BASKET AND HANDLE
13	ES000	*NOT AVAILABLE
14	7325113900	PAN
19	9824800015	CLIP CLAMP
20	5512500089	TUBE
21	5325120600	STOPPER
22	536330	BRUSH
23	5325114000	SPACER
24	5325113900	SPACER
25	5325104700	SPACER
26	5325121300	CASING
27	5325118000	CONTROL PANEL
28	6125103400	SPRING
29	5325127300	PUSH BUTTON
30	513080	LAMP
31	5311811071	RED LENS
33	6125102900	PIN
34	5925112800	DOOR
35	511816	FUSE
36	5525102800	PEDESTAL
37	532233	RUBBER PAD
38	5325106400	BUSH
39	5225100200	TIMER
40	5325118400	SUPPORT
41	5325118500	PUSH BUTTON