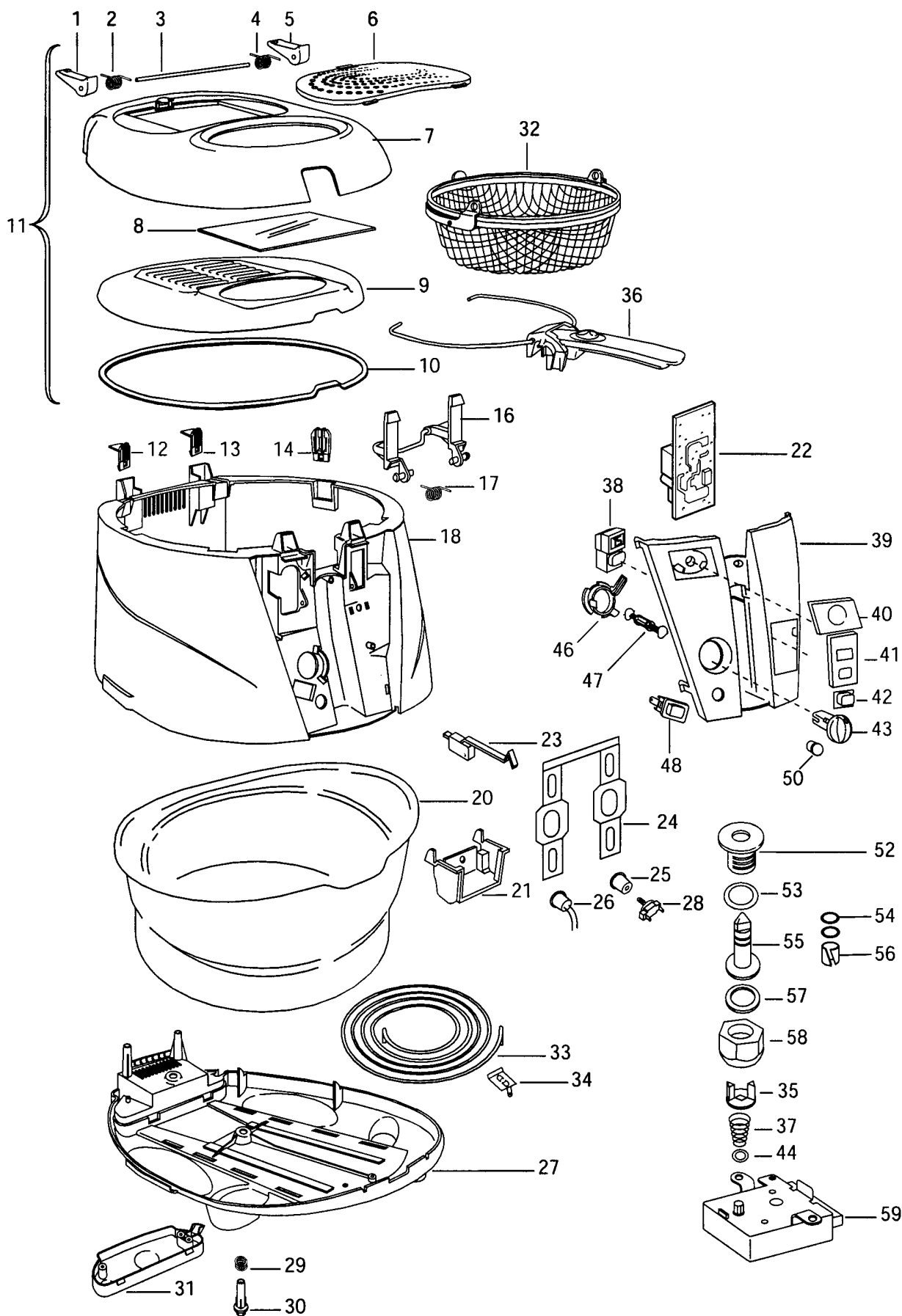




0125806001

DE'LONGHI "I" F-1000



Position	Code	description
000	5525101500	FILTERS KIT
001	5325112900	HINGE LEFT
002	6125103100	SPRING
003	6125100400	PIN
004	6125103000	SPRING
005	5325113000	HINGE RIGHT
006	5325129700	GRID
007	5325129600	COVER
008	5325114800	GLASS
009	6925102700	INNER COVER
010	5512500049	GUARNIZIONE
011	7325120900	COVER
012	5325130300	SPACER
013	5325130200	SPACER
014	5325130100	SPACER
016	5525100200	HOOK
017	6125100800	SPRING
018	5325127500	CASING
020	7312579899	PAN
021	5525101200	BLOCK
022	5225102200	BOARD
023	5112510171	SPRING MICROSWITCH
024	6125107300	SUPPORT
025	6225101900	SENSOR
026	5525103700	SENSOR
027	5525108300	PEDESTAL
028	5225100800	TCO
029	611912	SPRING
030	5325106300	BUSH
031	5325127800	BOTTOM
032	5512500019	BASKET ASSEMBLY
033	5512500159	HEATING Element
034	9826800017	SPRING
035	6225102200	PULLER
036	7312572769	HANDLE
037	6125101500	SPRING
038	5225100200	TIMER

039	5925113400	CONTROL PANEL
040	5325129900	PUSH BUTTON
041	5325129800	SUPPORT
042	5325128600	PUSH BUTTON
043	5325130400	KNOB
044	6025101700	WASHER
046	5325104000	BUSH
047	5325126400	EXTENSION
048	5112510031	SWITCH
050	5311811071	RED LENS
052	6225103900	FLANGE
053	5325111200	GASKET
054	532524	GASKET
055	6225104000	PIN
056	5325130500	CLIP CLAMP
057	5325112200	WASHER
058	6225102400	NUT
059	5512500059	GEARMOTOR