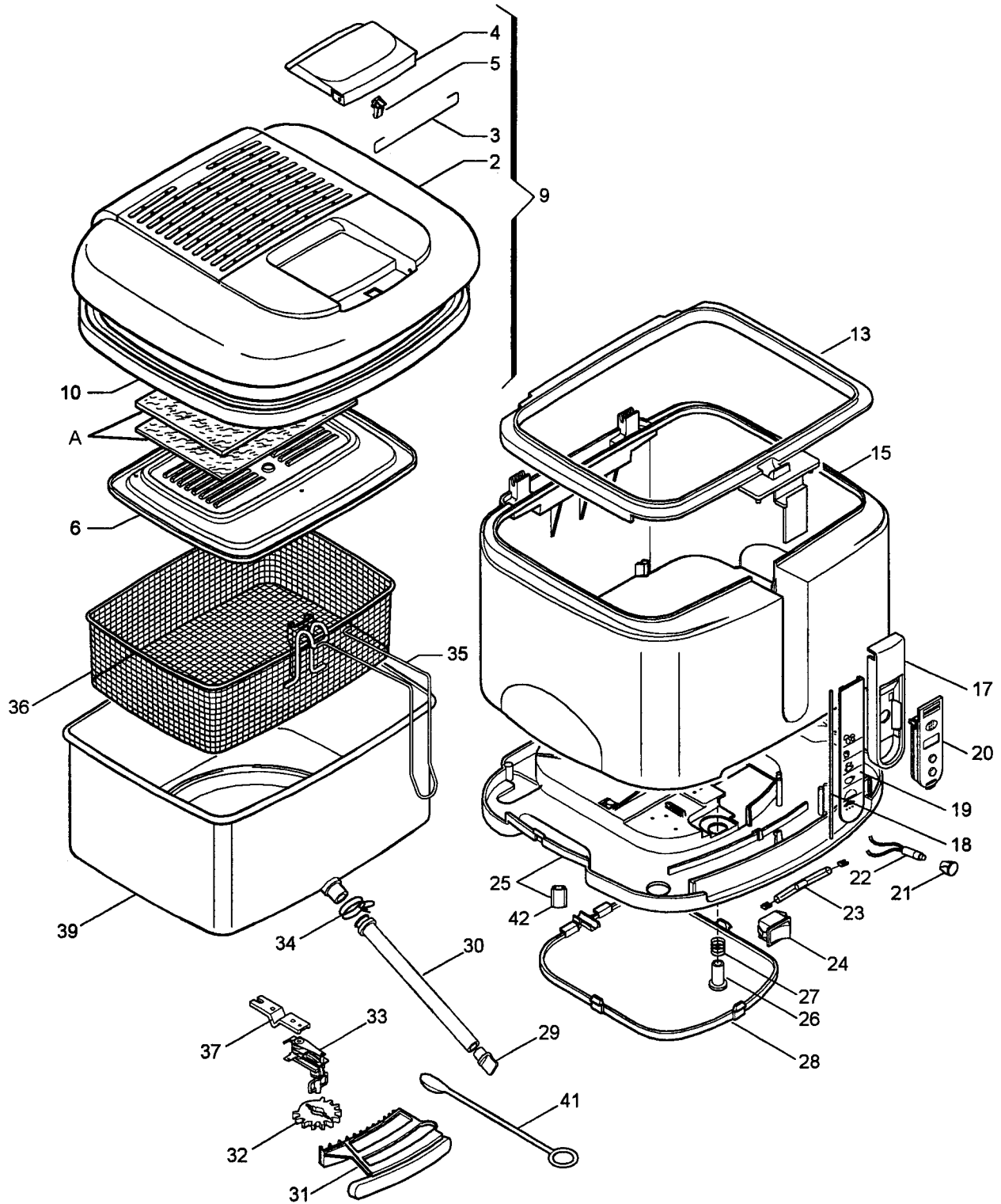




0125470003

DE'LONGHI "GB"

F-270 EX:V



| Pos | Codice | Italiano | English | Francais | Deutsch | Espanol |
|-----|-------------------|-----------------|---------------|------------------|------------------|--------------|
| 002 | 5925102300 | COPERCHIO | COVER | COUVERCLE | DECKEL | TAPA |
| 003 | 611944 | MOLLA | SPRING | RESSORT | FEDER | MUELLE |
| 004 | 536314 | MANIGLIA | HANDLE | POIGNEE | GRIFF | MANILLA |
| 005 | 536381 | GANCIO | HOOK | CROCHET | HAKEN | GANCHO |
| 006 | 690437 | CONTROCOPERCHIO | INNER COVER | CONTRE COUVERCLE | GEGENDECKEL | DOBLE TAPA |
| 009 | 7325105500 | COPERCHIO | COVER | COUVERCLE | DECKEL | TAPA |
| 010 | 536478 | GUARNIZIONE | GASKET | JOINT | DICHTUNG | GUARNICION |
| 013 | 536573 | CORNICE | FRAME | ENCADREMENT | RAHMEN | MARCO |
| 015 | 536286 | INVOLUCRO | CASING | ENVELOPPE | GEHAEUSE | ENVOLTURA |
| 017 | 5925102900 | PORTINA | DOOR | PORTE | TUER | PUERTA |
| 018 | 611943 | PERNO | PIN | PIVOT | STIFT | PERNO |
| 020 | 5225100300 | TIMER | TIMER | PROGRAMMATEUR | ZEITSCHALTUHR | TIMER |
| 021 | 536335 | GEMMA | LENS | LENTILLE | LINSE | PILOTO |
| 022 | 512818 | SPIA | WARNING LIGHT | TEMOIN LUMINEUX | KONTROLLEUCHE | PILOTO |
| 023 | 511816 | TERMOFUSIBILE | FUSE | FUSIBLE | SCHMELZSICHERUNG | FUSIBLE |
| 024 | 512600 | INTERRUTTORE | SWITCH | INTERRUPTEUR | SCHALTER | INTERRUPTOR |
| 025 | 552560 | PIEDISTALLO | PEDESTAL | PIEDESTAL | SOCKEL | PEDESTAL |
| 026 | 536102 | DISTANZIALE | SPACER | ENTRETOISE | DISTANZSTUECK | DISTANCIADOR |
| 027 | 611912 | MOLLA | SPRING | RESSORT | FEDER | MUELLE |
| 028 | 536136 | FONDO | BOTTOM | FOND | BODEN | FONDO |
| 029 | 534749 | TAPPO | STOPPER | BOUCHON | STOEPSSEL | TAPON |
| 030 | 536159 | TUBO | TUBE | TUBE | ROHR | TUBO |
| 031 | 5925107400 | CURSORE | SLIDER | CURSEUR | SCHIEBER | CURSOR |
| 032 | 536256 | INGRANAGGIO | GEAR | ENGRENAGE | GETRIEBE | ENGRANAJE |
| 033 | 521519 | TERMOSTATO | THERMOSTAT | THERMOSTAT | THERMOSTAT | TERMOSTATO |
| 034 | 9824800015 | FASCETTA | CLIP CLAMP | COLLIER | SHELLE | ABRAZADERA |
| 035 | 611945 | IMPUGNATURA | HANDLE | POIGNEE | GRIFF | EMPUÑADURA |
| 036 | 709089 | CESTELLO | BASKET | PANIER | KORB | CESTO |
| 037 | 607994 | SQUADRETTA | BRACKET | EQUERRE | WINKEL | ESCUADRA |
| 039 | 737891 | VASCA | PAN | CUVE | BEHALTER | CUBA |
| 041 | 536330 | SPAZZOLINO | BRUSH | BROSSE | BUERSTCHEN | CEPILLO |
| 042 | 532233 | GOMMINO | RUBBER PAD | PARE CHOCS | PUFFER | GUARNICION |

DE'LONGHI "GB" F-270 EX:V COD.0125470003