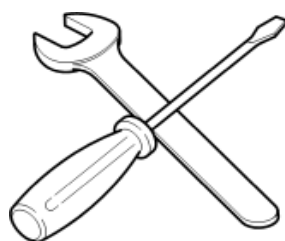
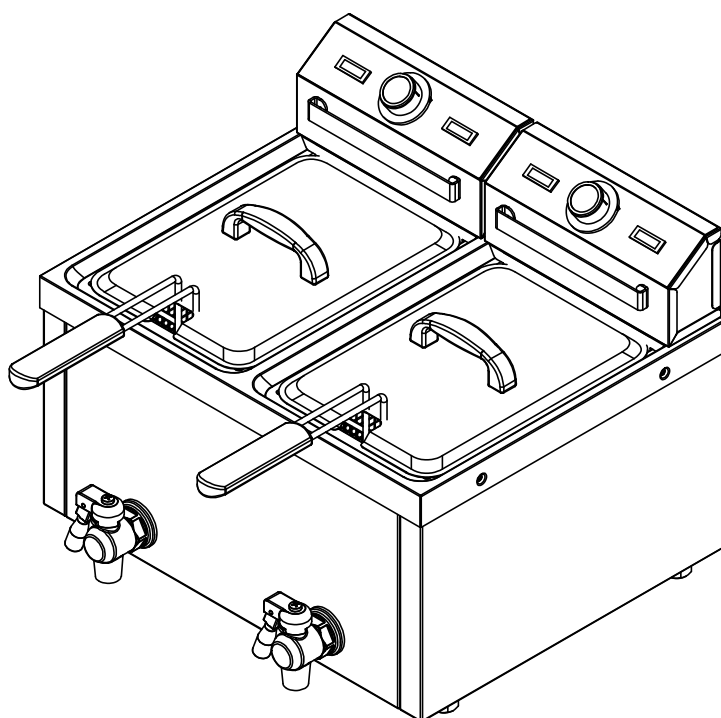
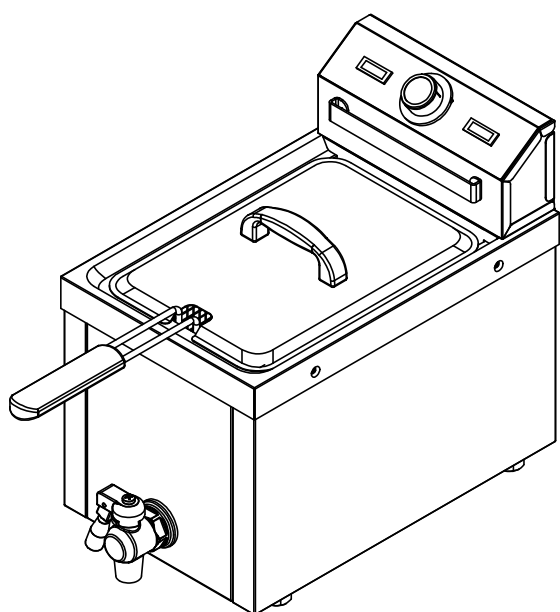
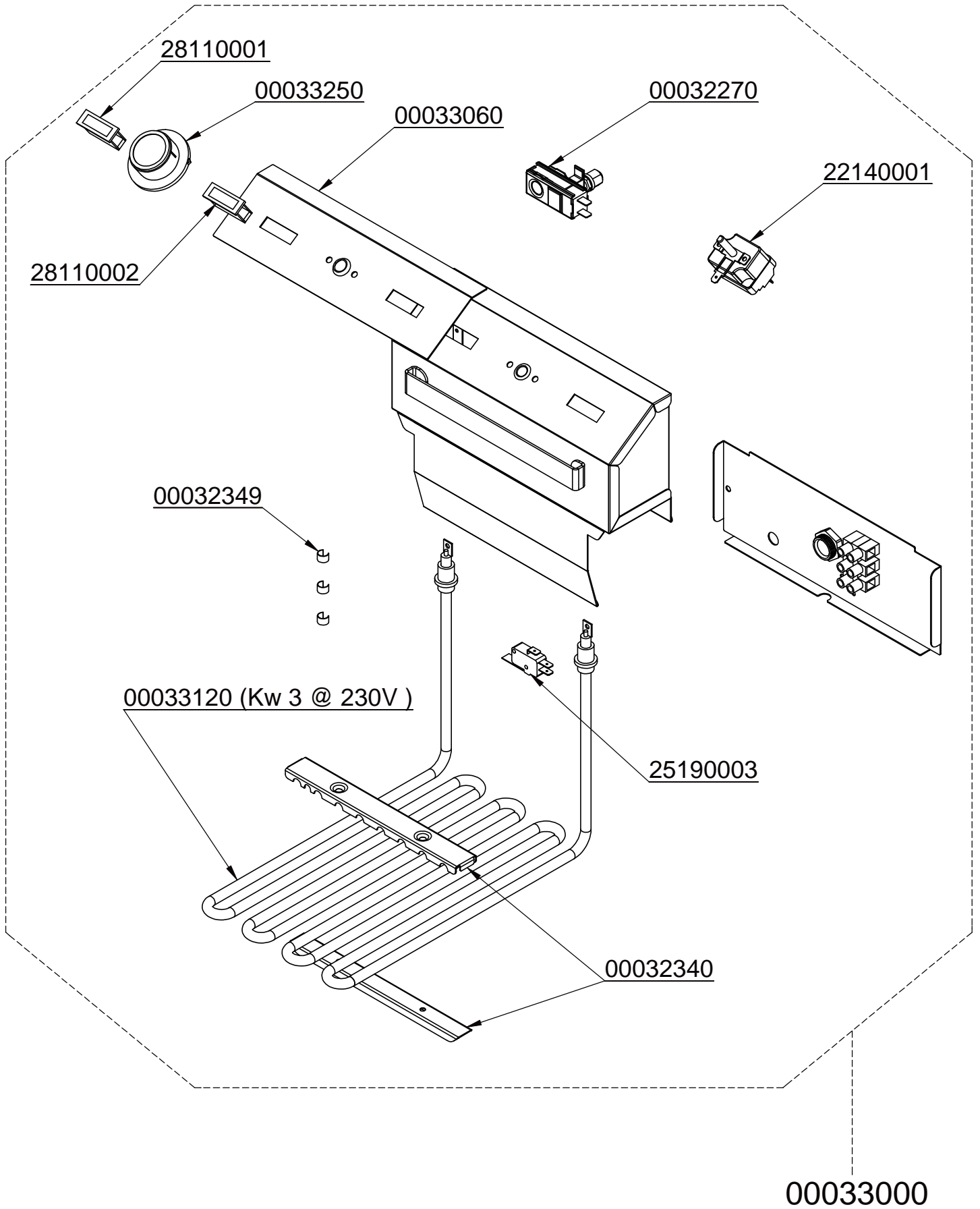
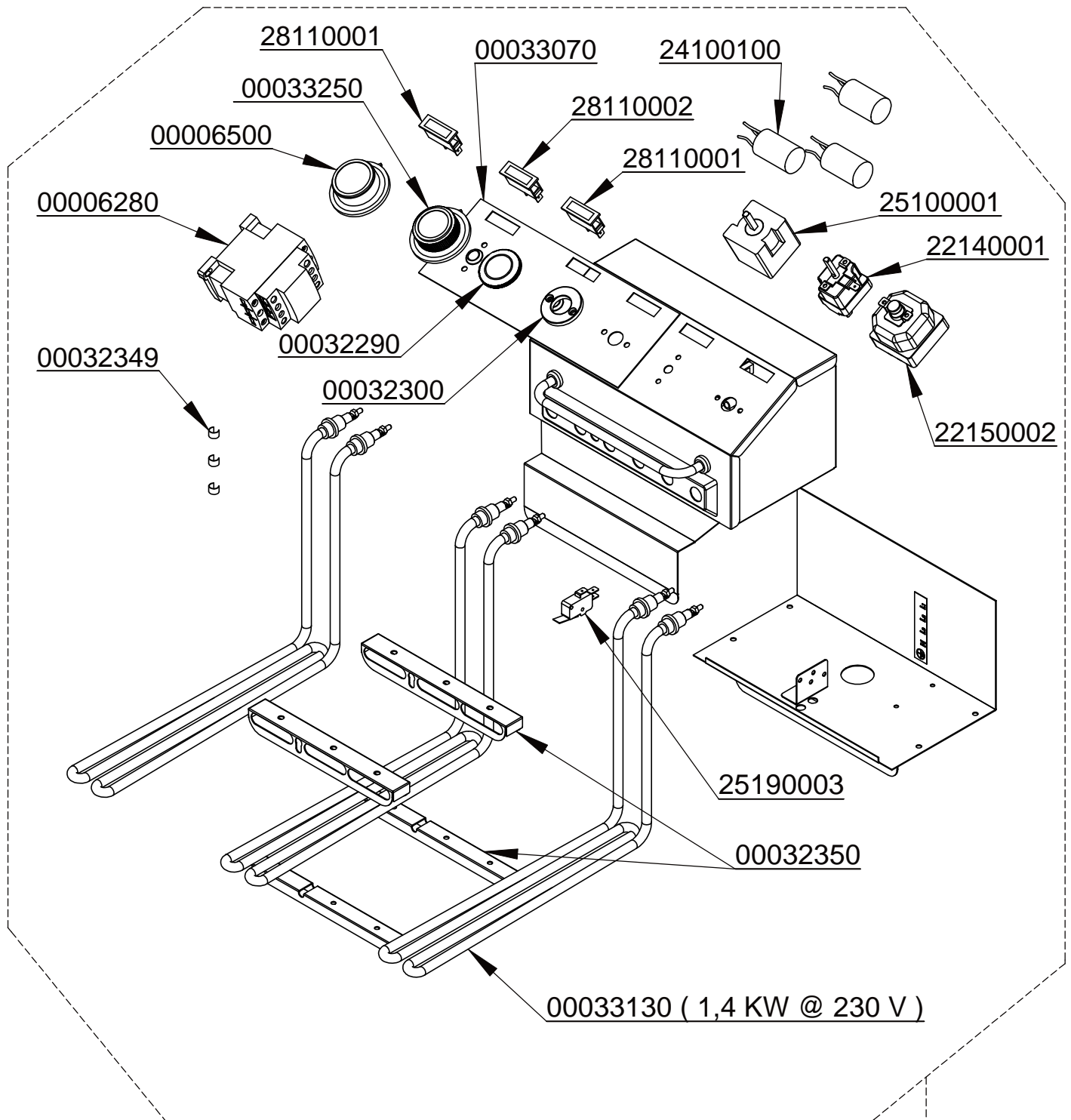
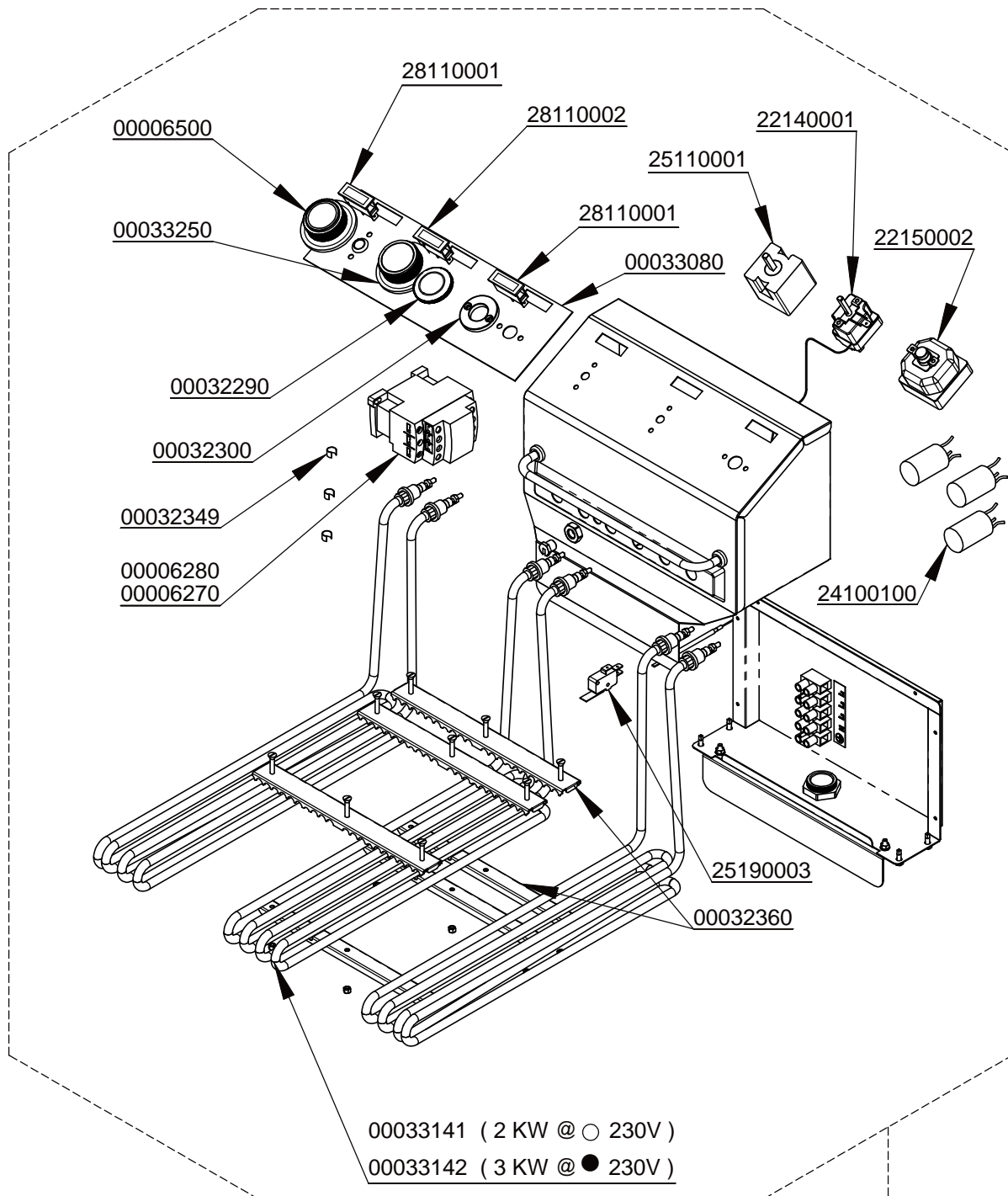


EB



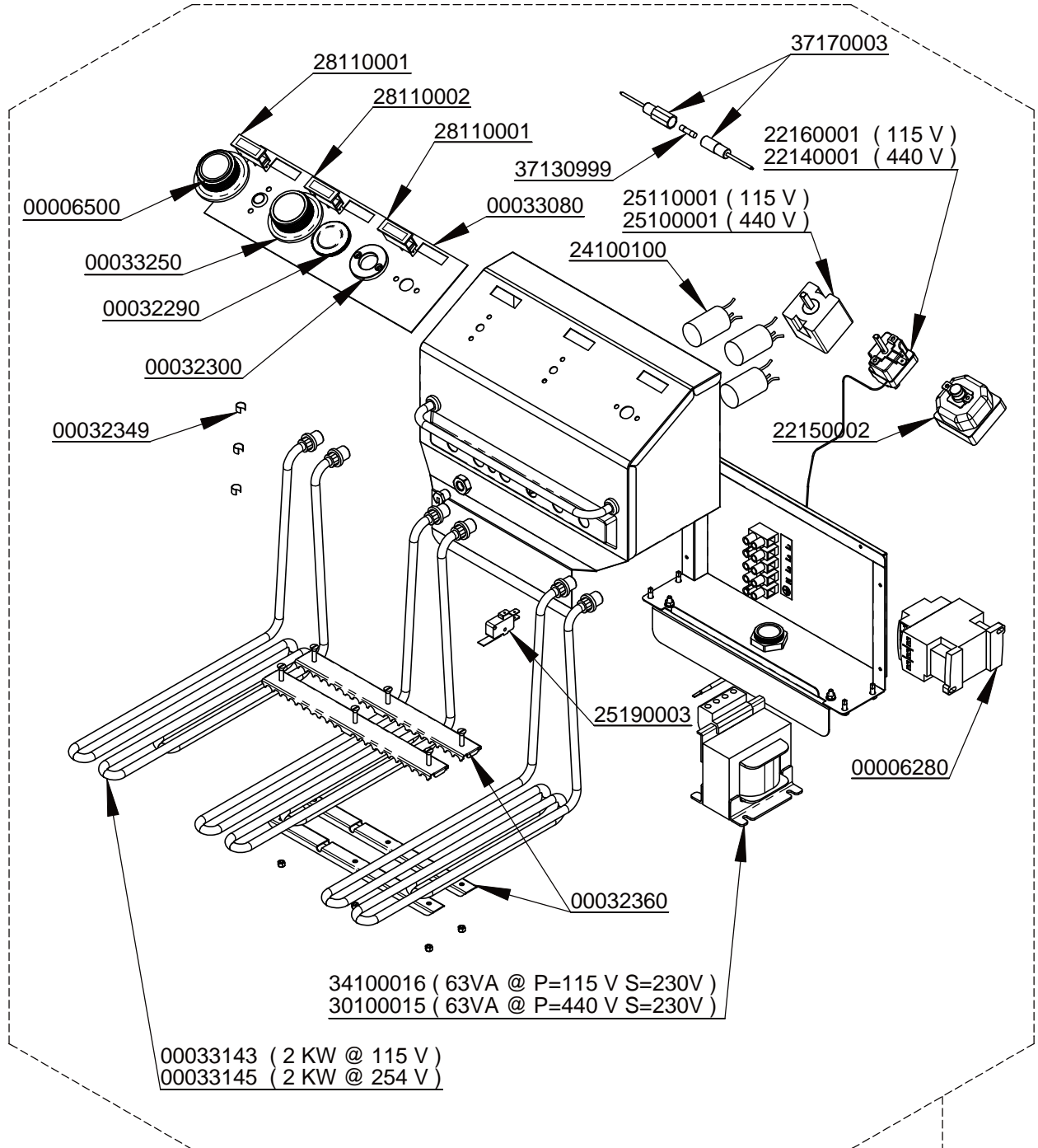






00033021 (6 KW @ ○ 400V)

00033022 (9 KW @ ● 400V)



00035350 (115 V)
00035349 (440 V)

