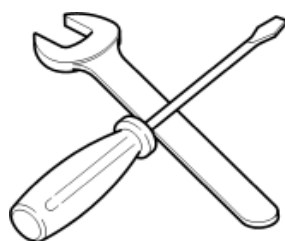
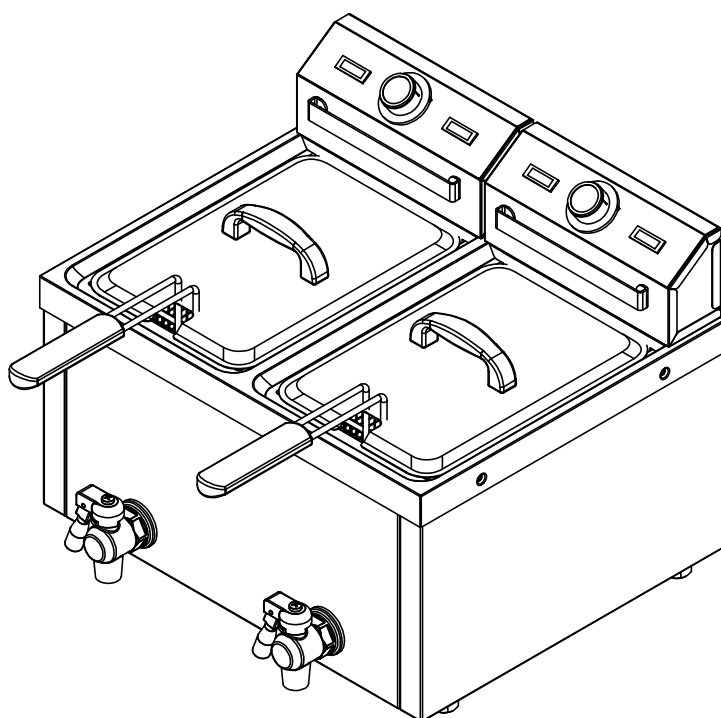
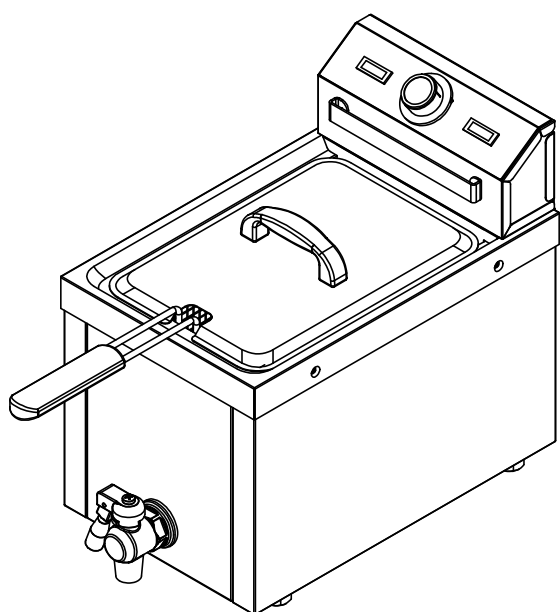
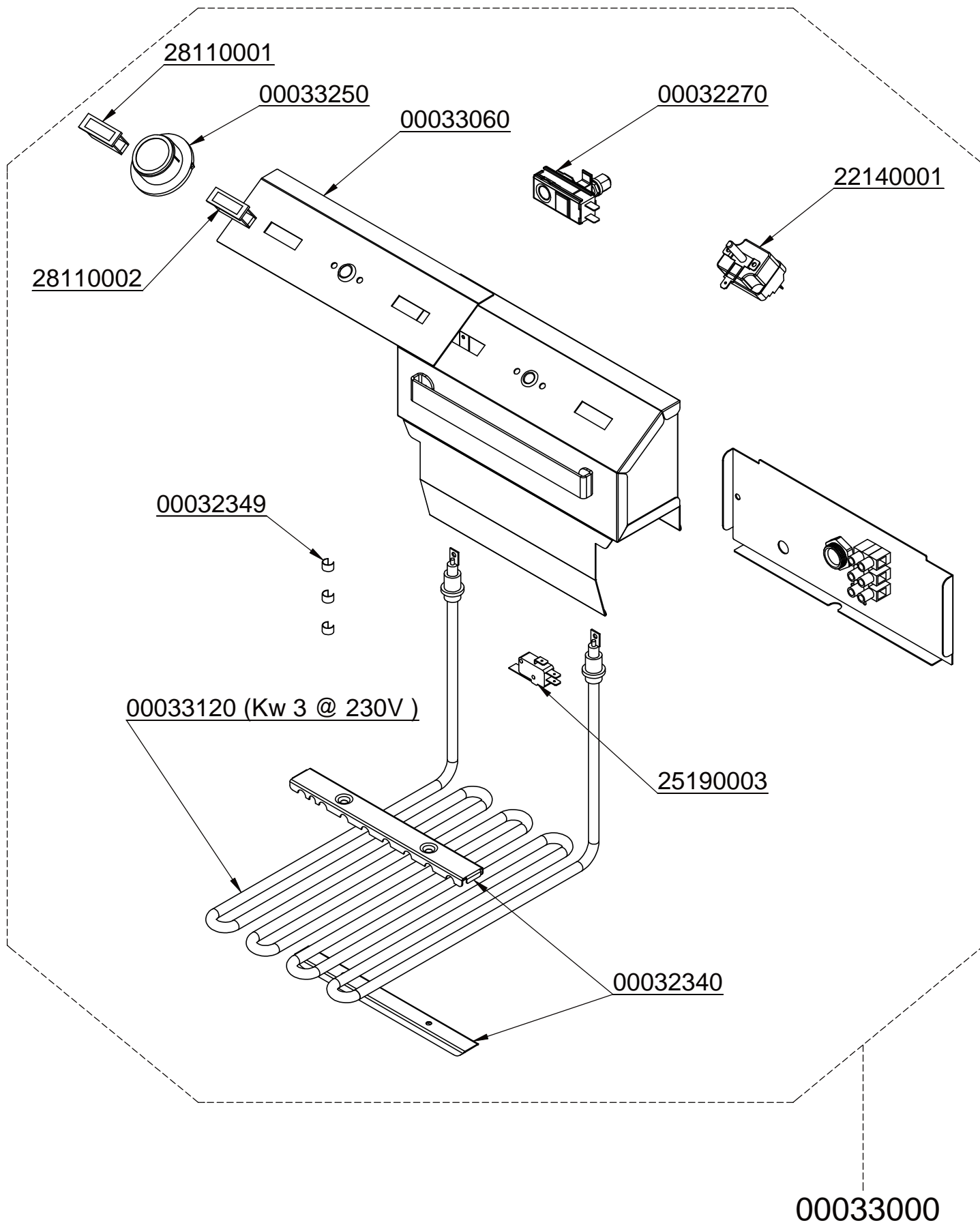
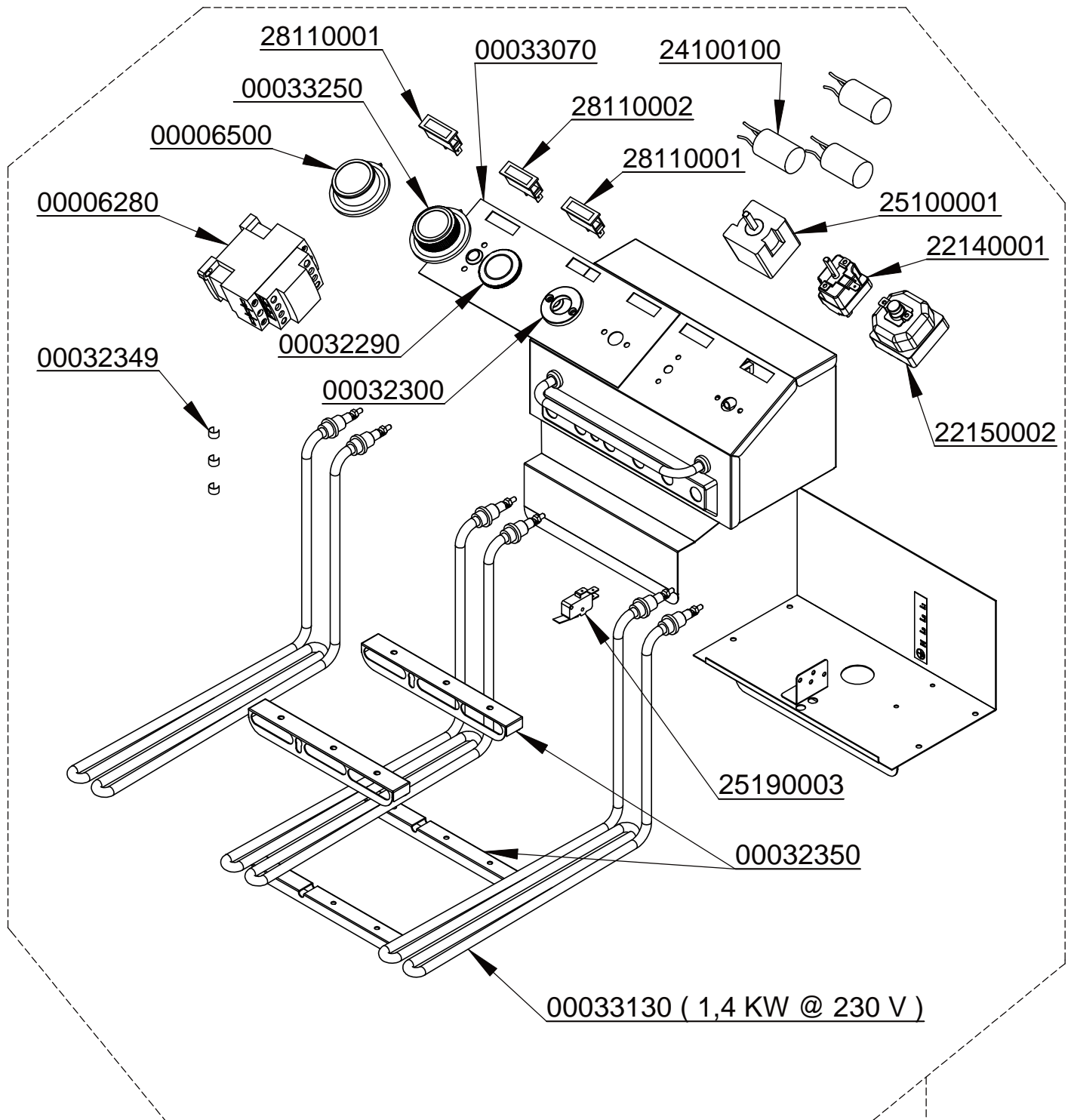


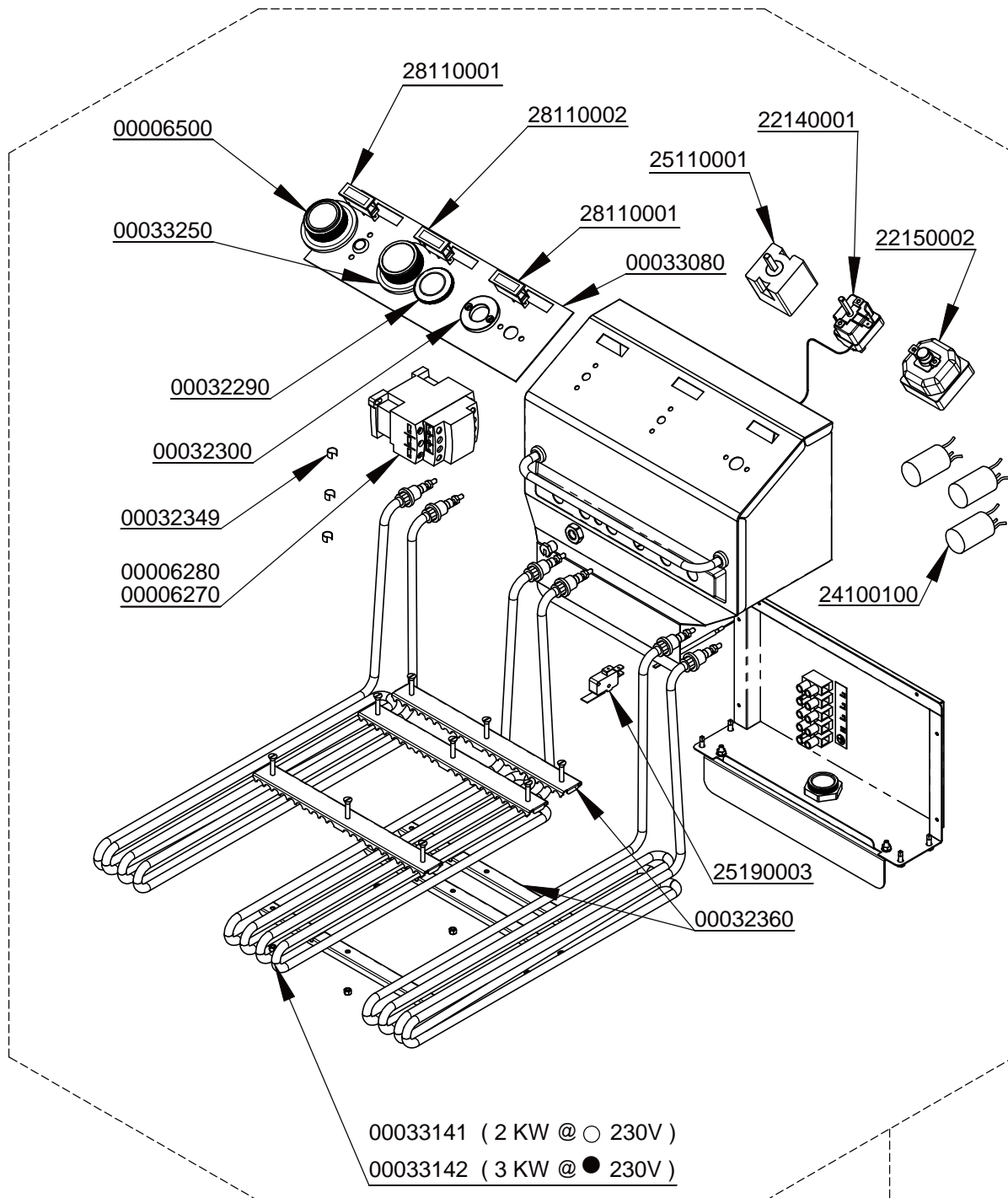
# EB





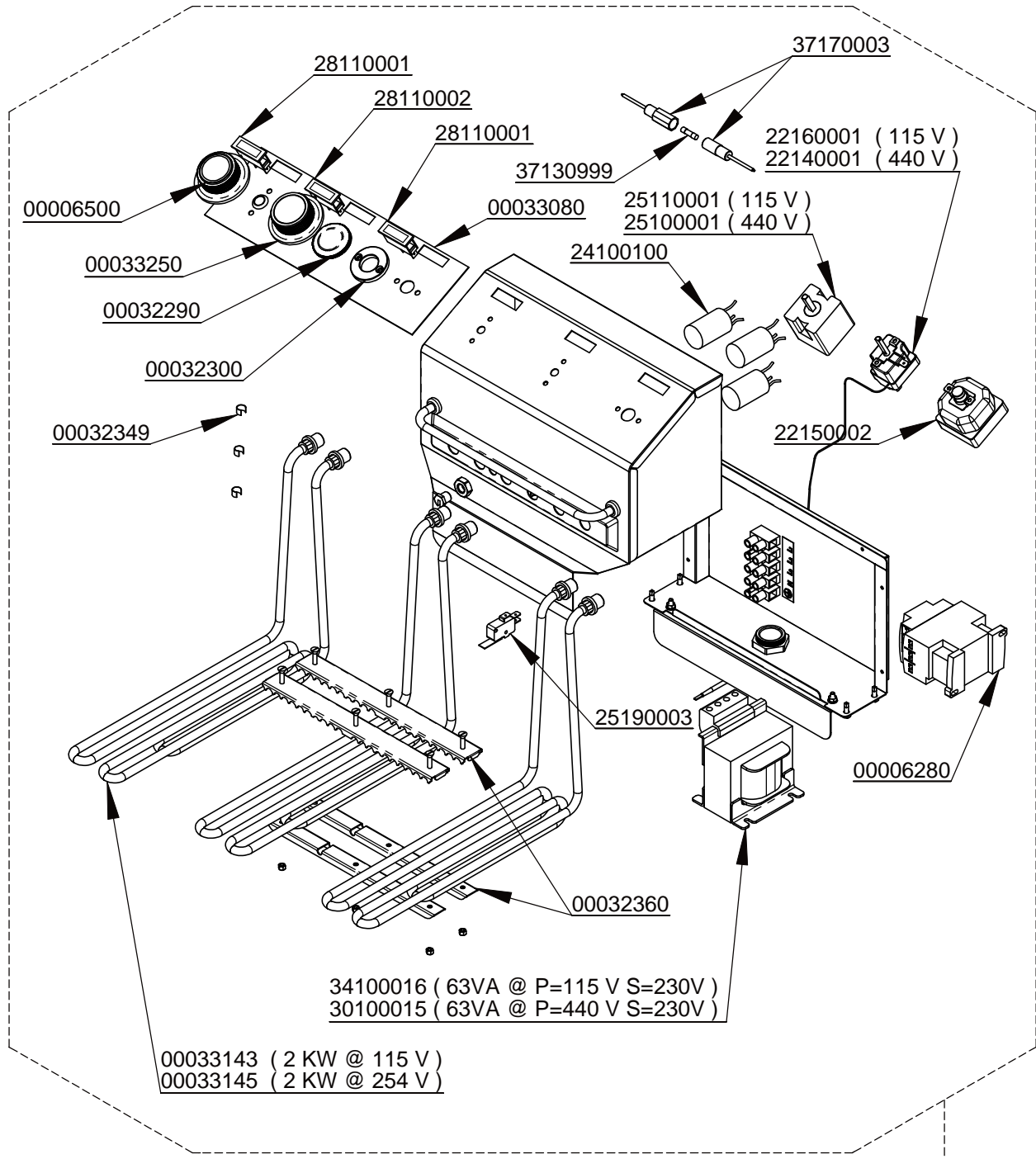


00033010



00033021 ( 6 KW @ ○ 400V )

00033022 ( 9 KW @ ● 400V )



00035350 ( 115 V )  
00035349 ( 440 V )

