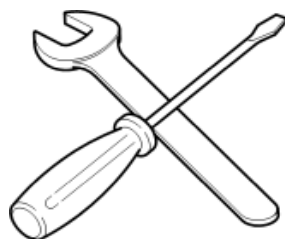
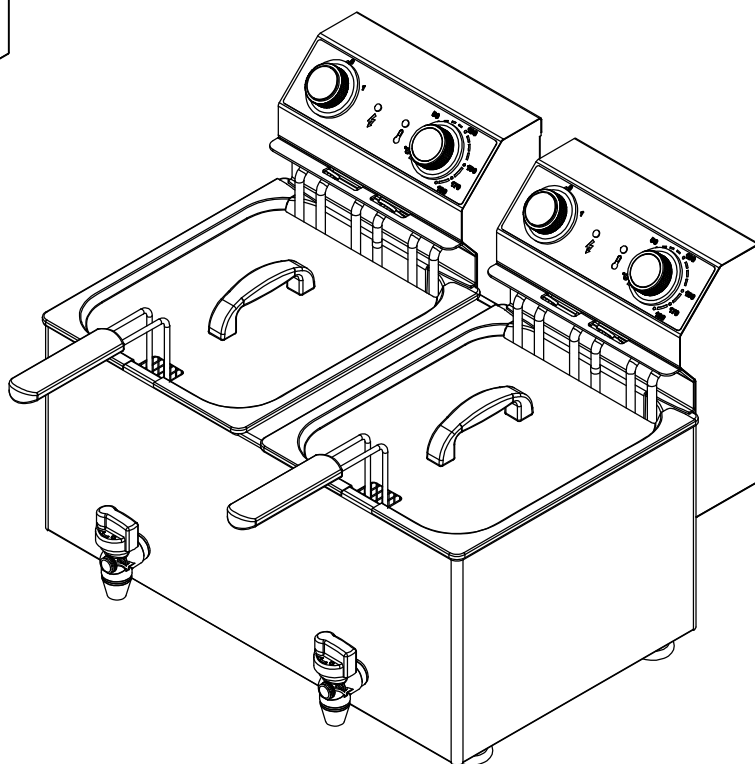
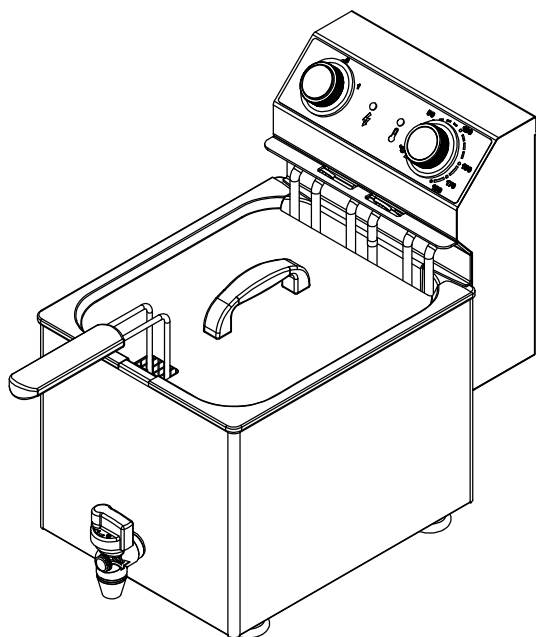
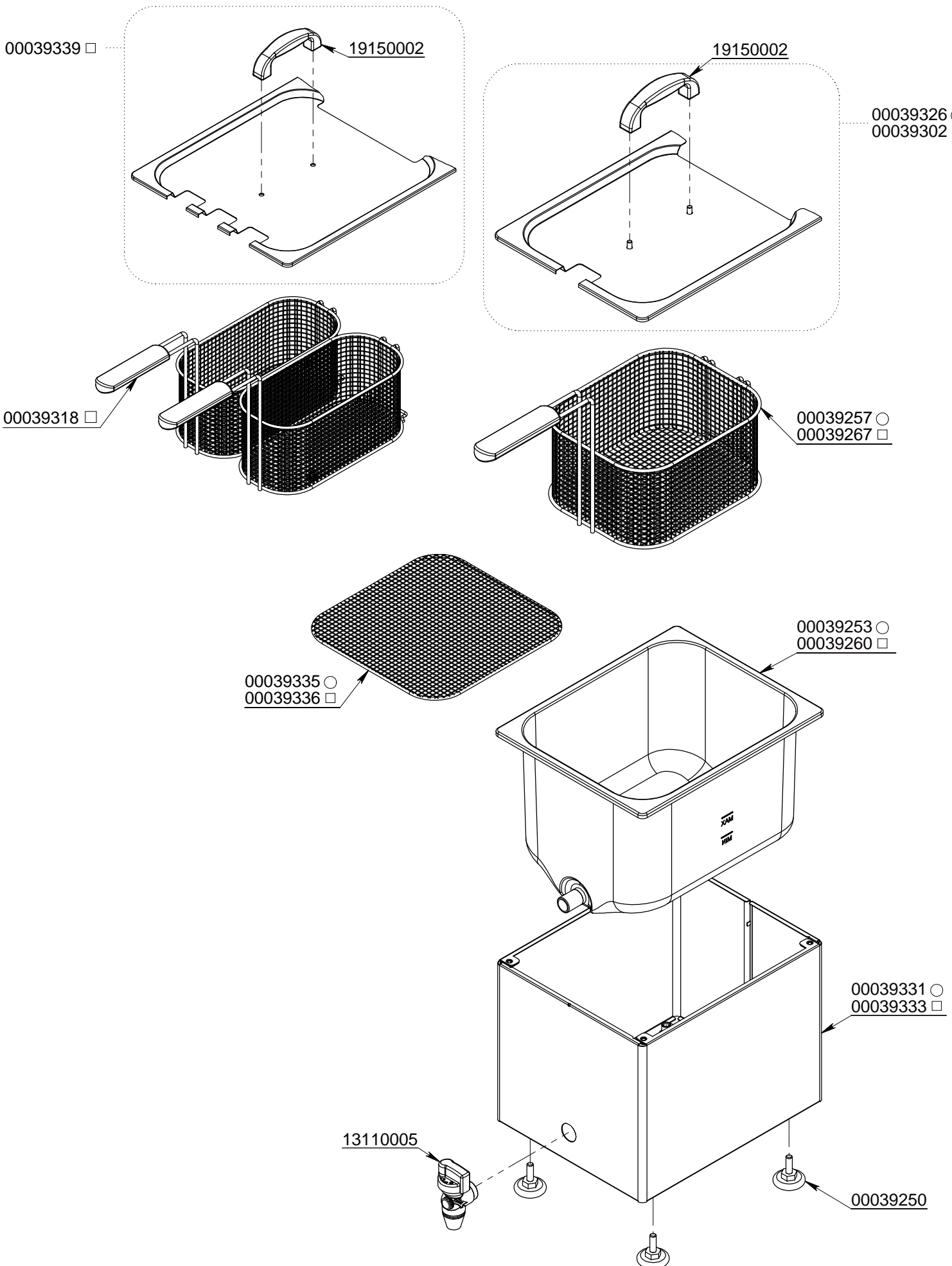


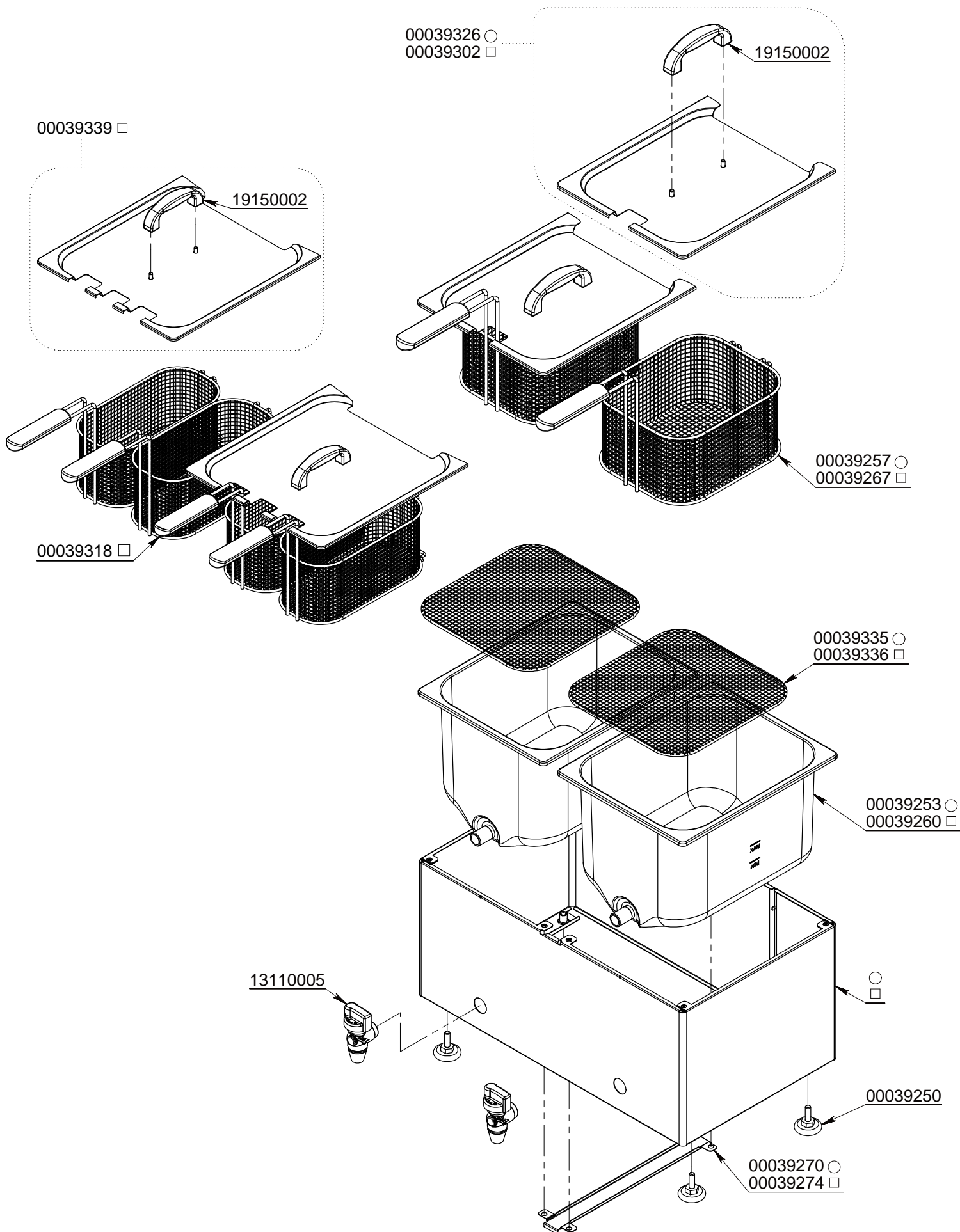
# ST 7 - ST 12 - ST 7+7 - ST12+12

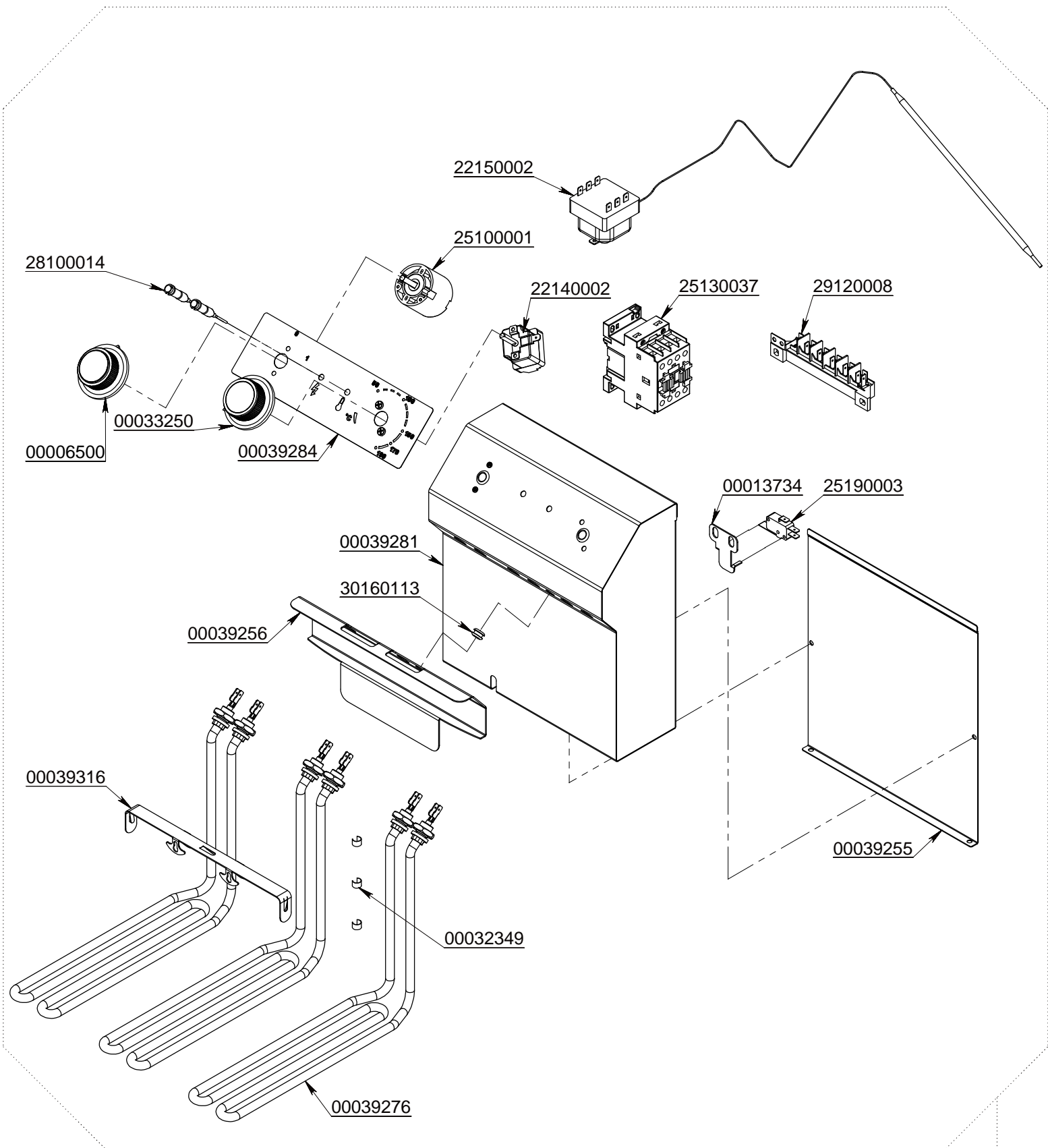


ST 7 ○ ST 12 □

06/10 Rev.0





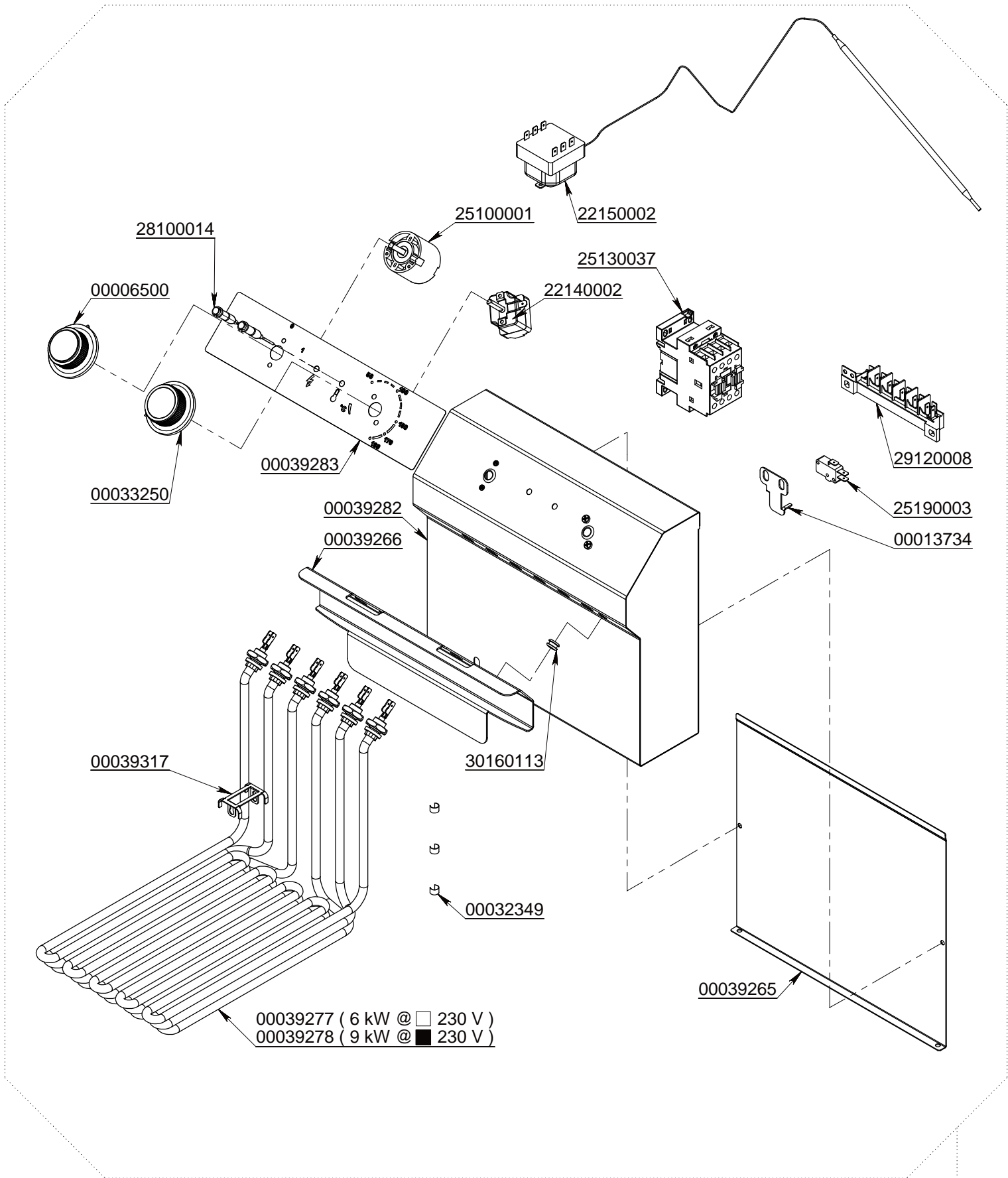


00039328

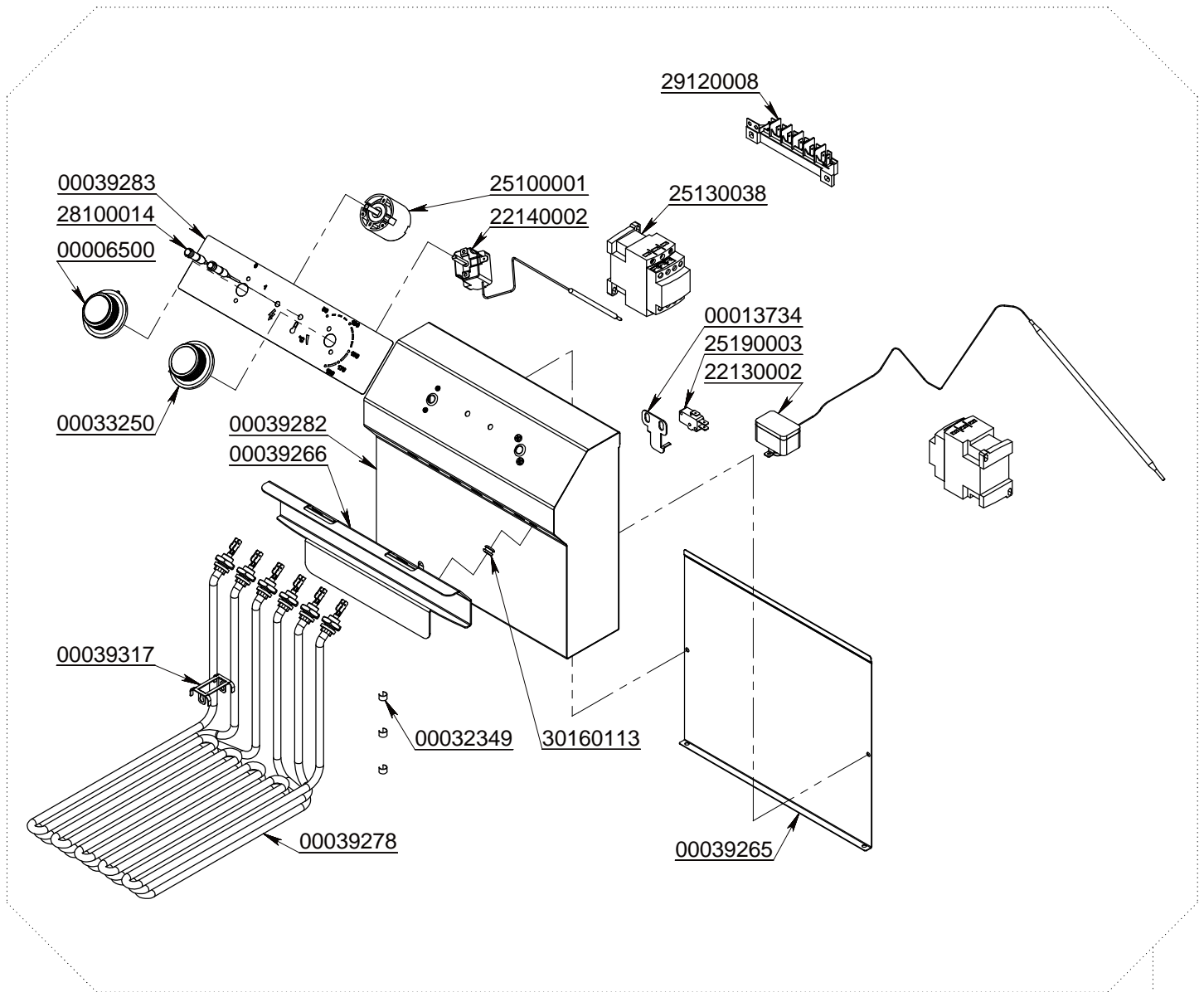
ST 12

□ 6 kW ■ 9 kW

06/10 Rev.0



00039329 □  
00039330 ■



00039337 @ 230V  
00039330 @ 400V