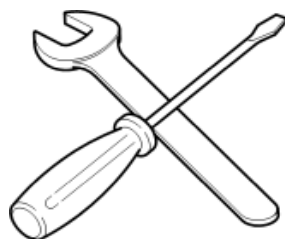
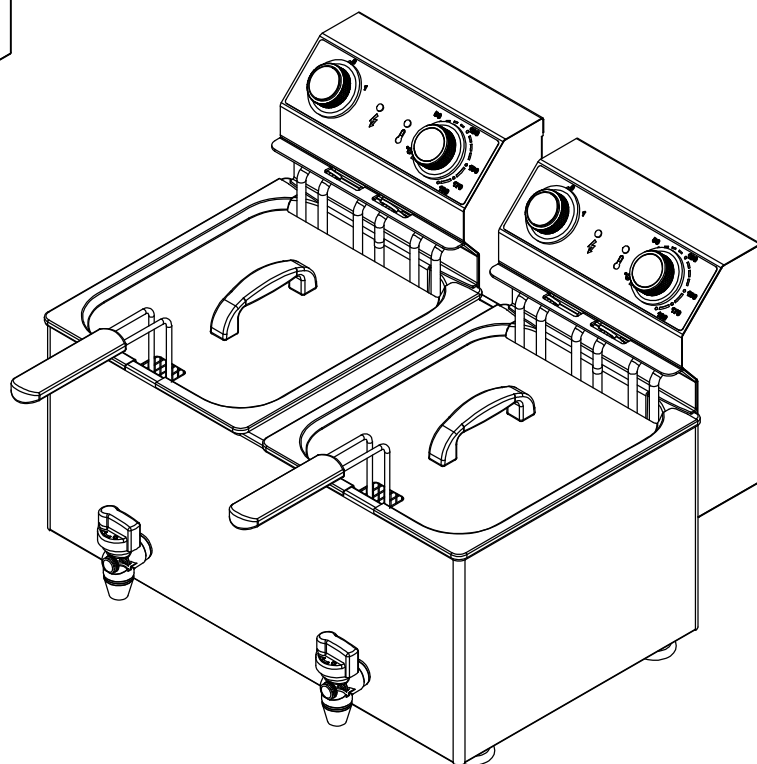
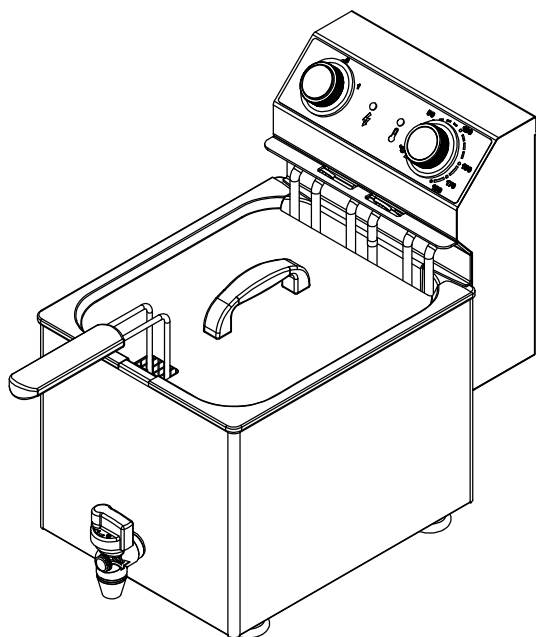
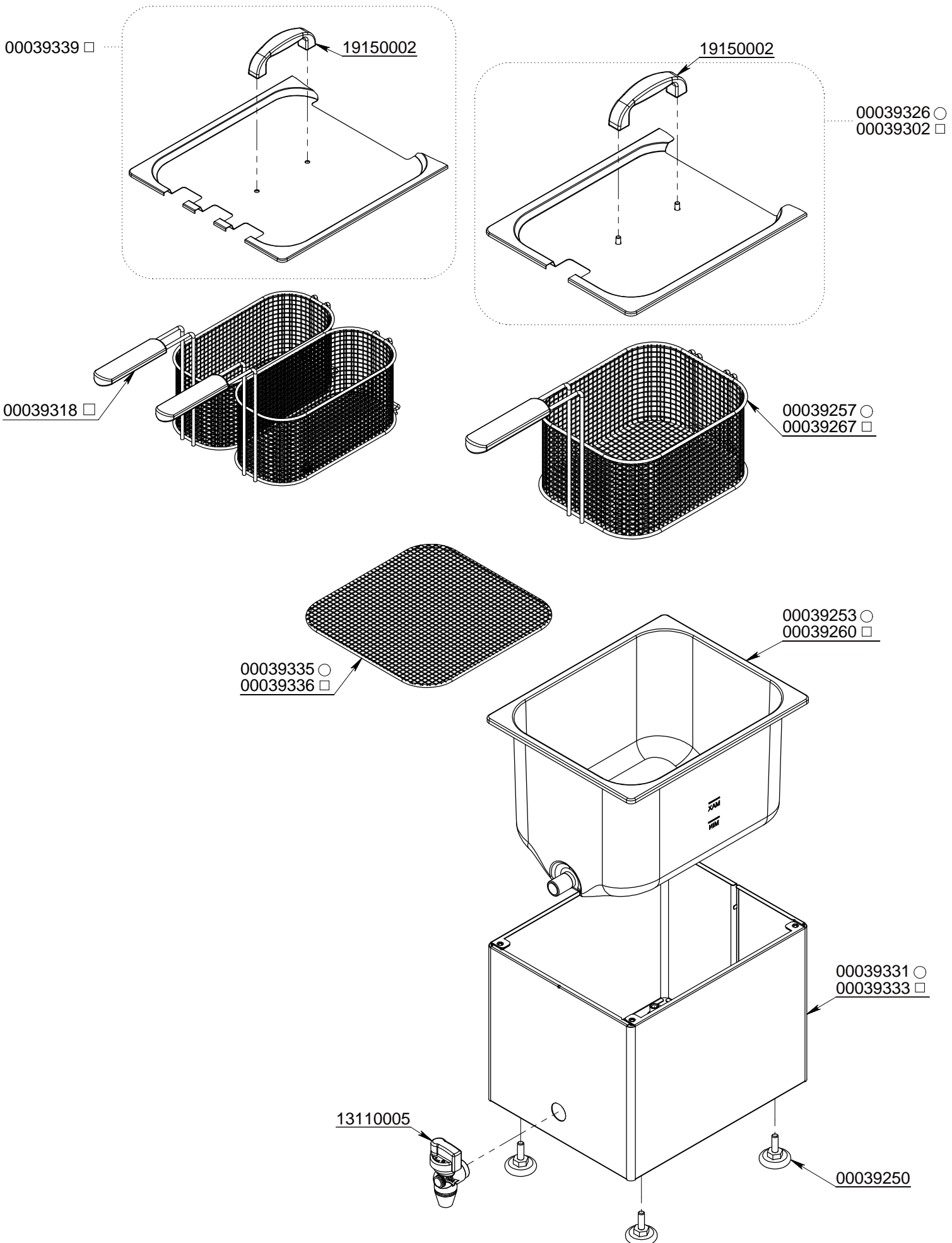


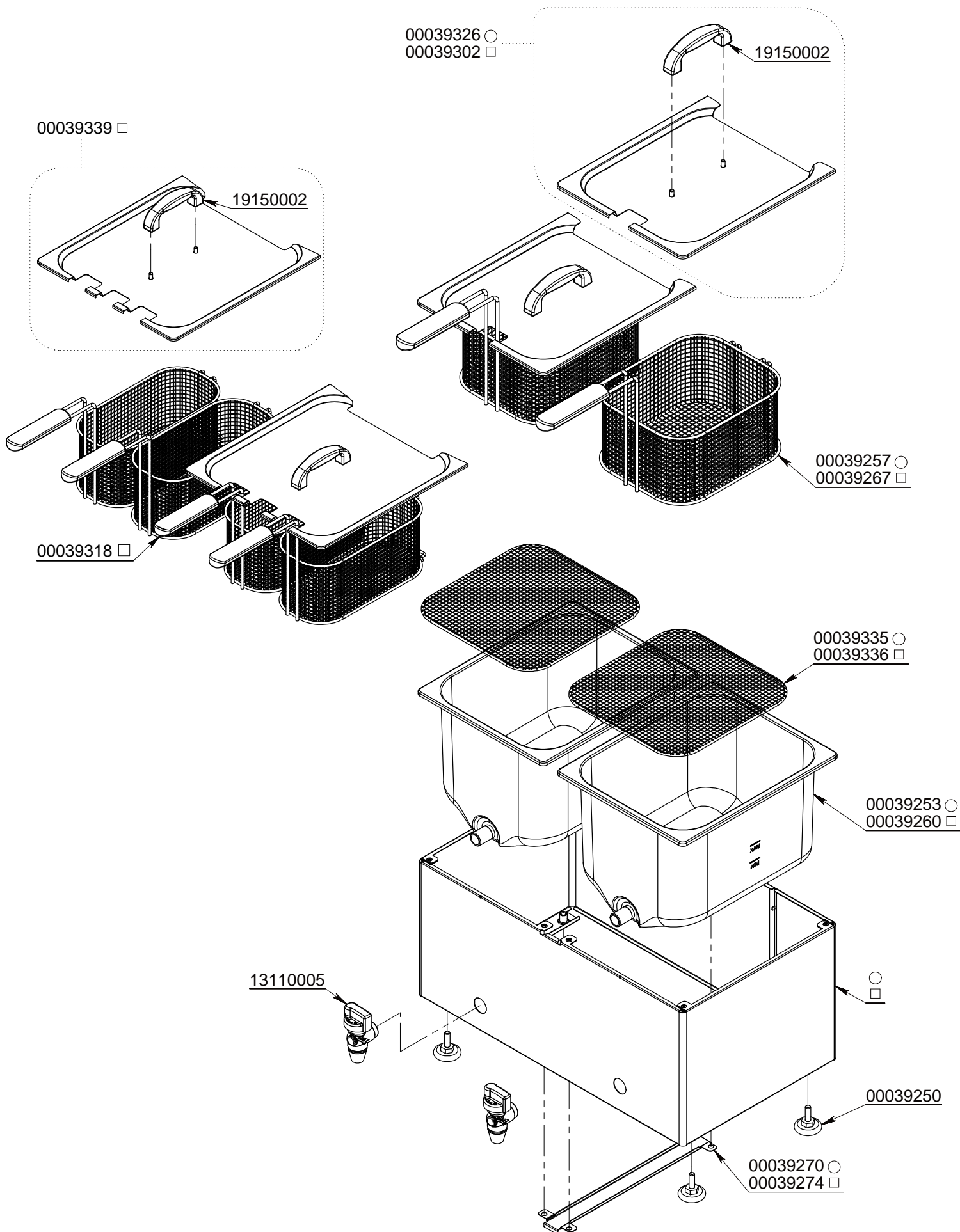
ST 7 - ST 12 - ST 7+7 - ST12+12

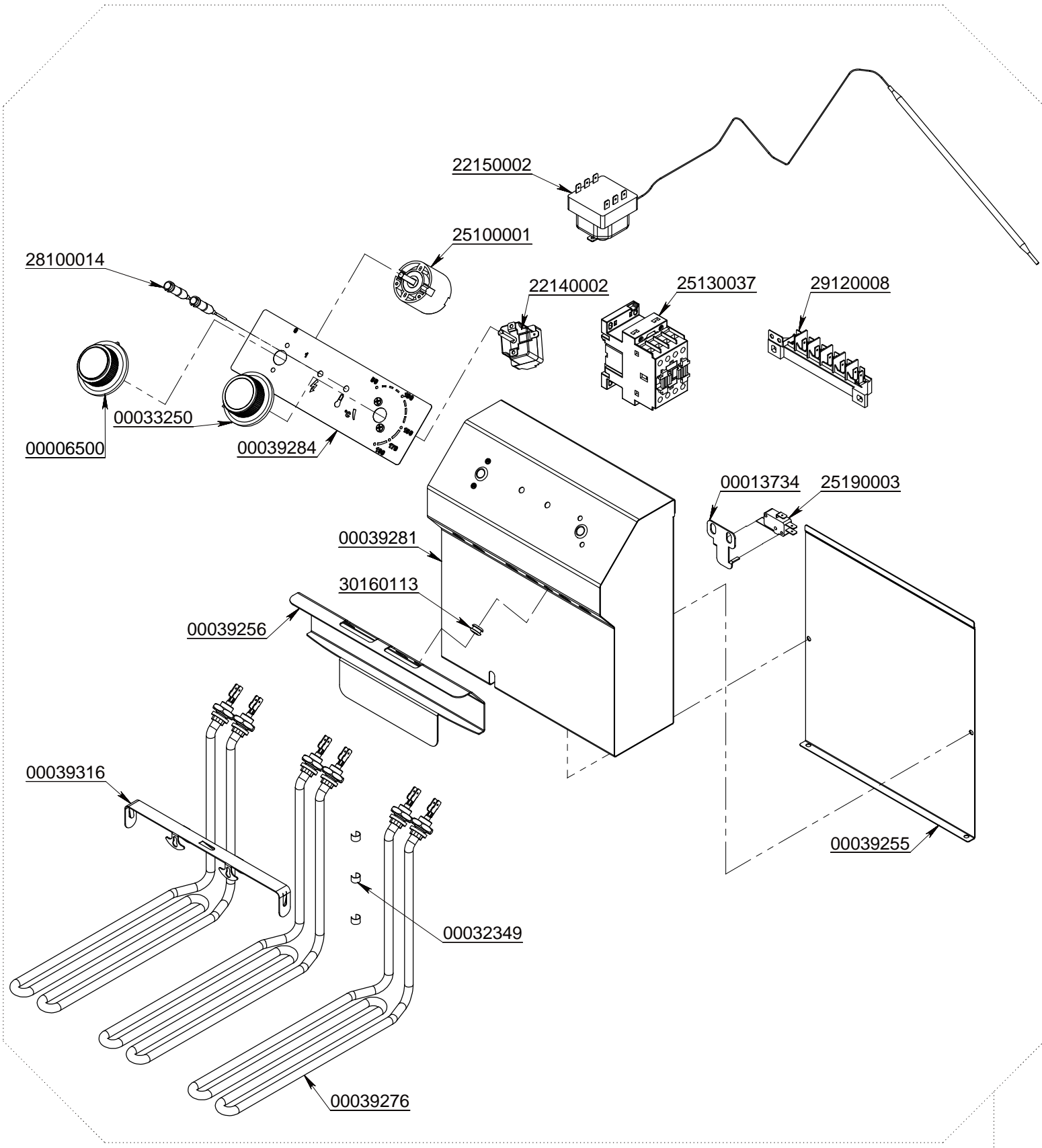


ST 7 ○ ST 12 □

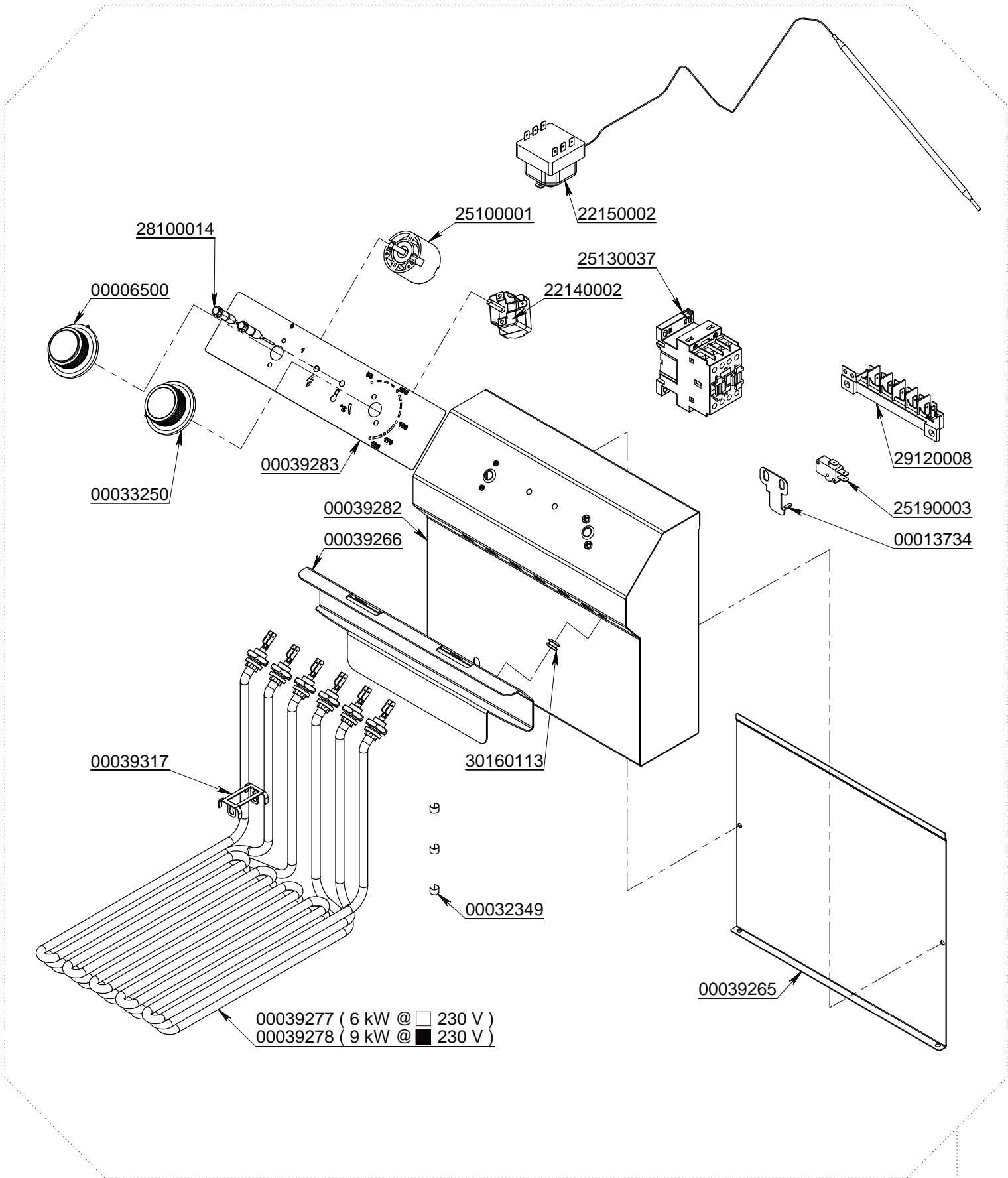
06/10 Rev.0



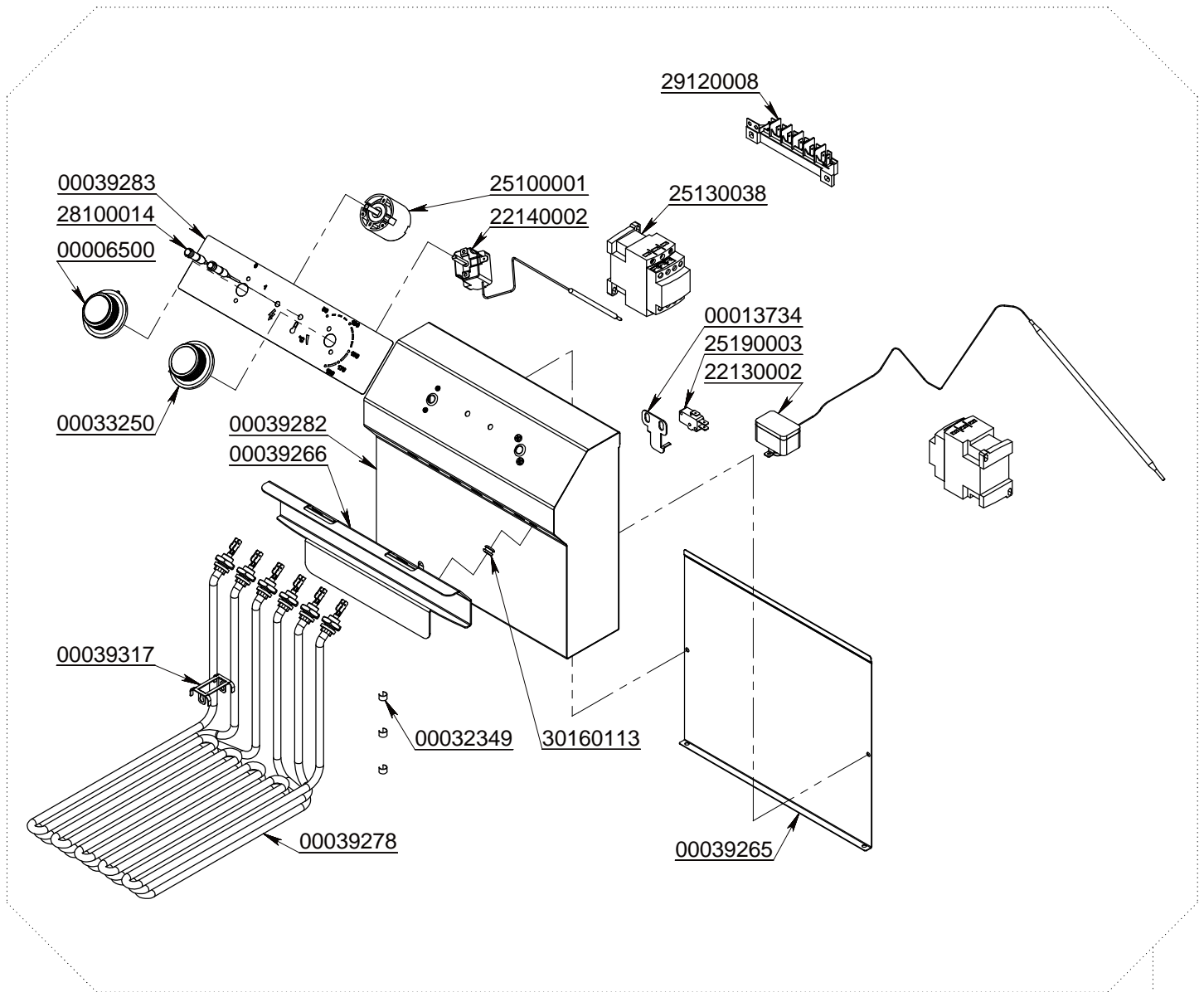




00039328



00039329
00039330



00039337 @ 230V
00039330 @ 400V