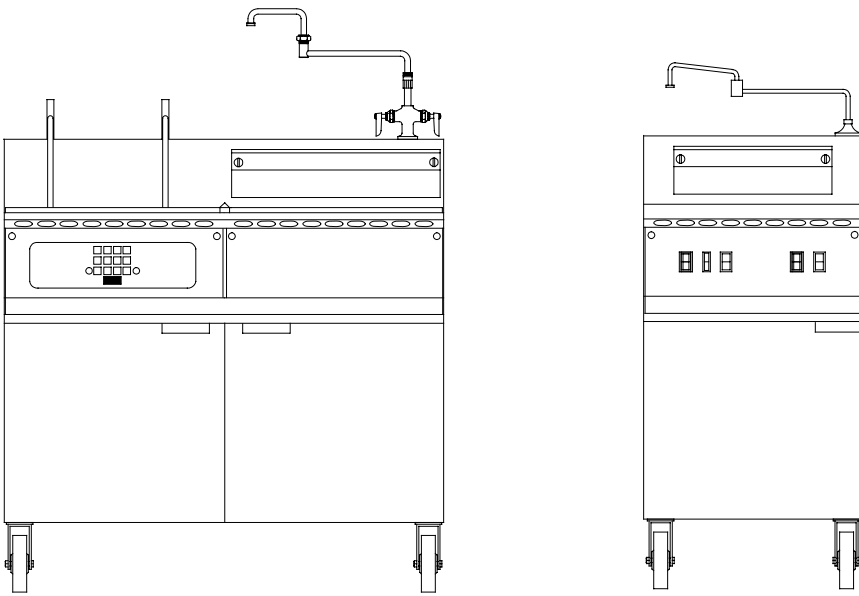


Electric Cooker Models
17EC, 17ECS, ESW and EWBS
Installation, Operation, Service & Parts Manual



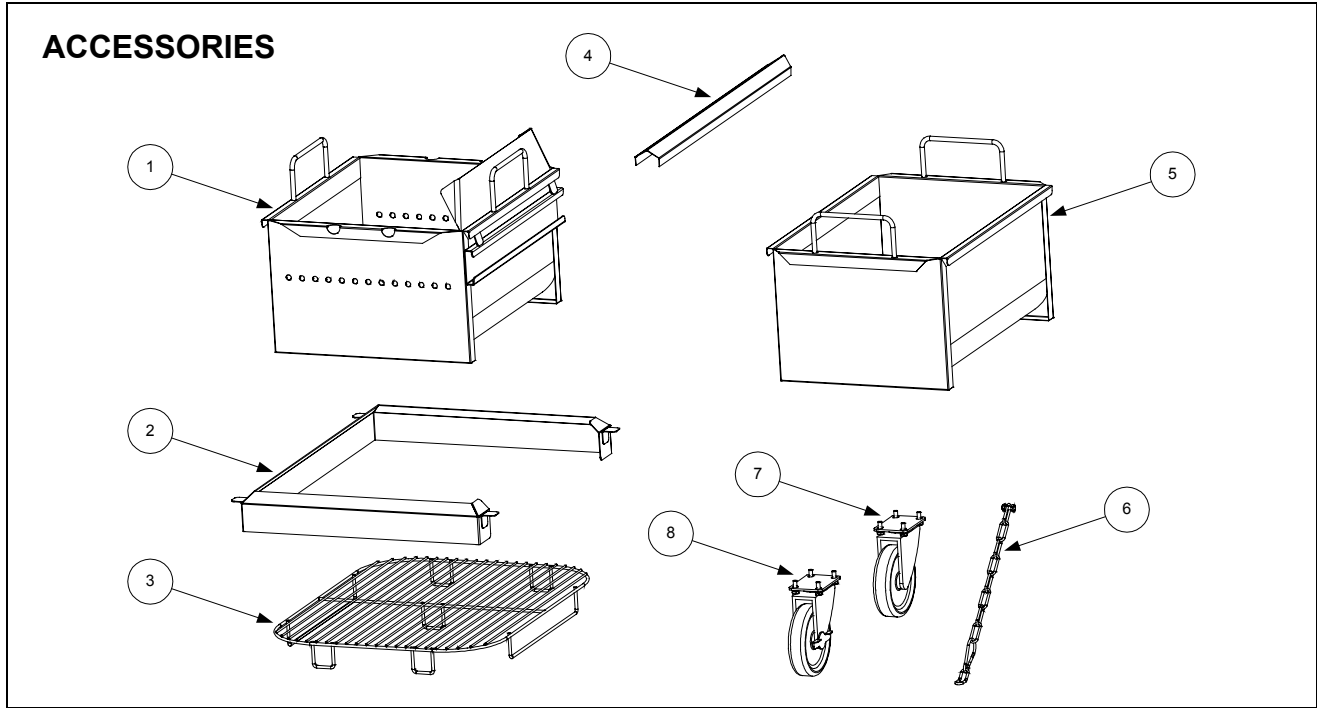
Frymaster, a member of the Commercial Food Equipment Service Association, recommends using CFESA Certified Technicians.

24-Hour Service Hotline 1-800-551-8633

* 8195680 *

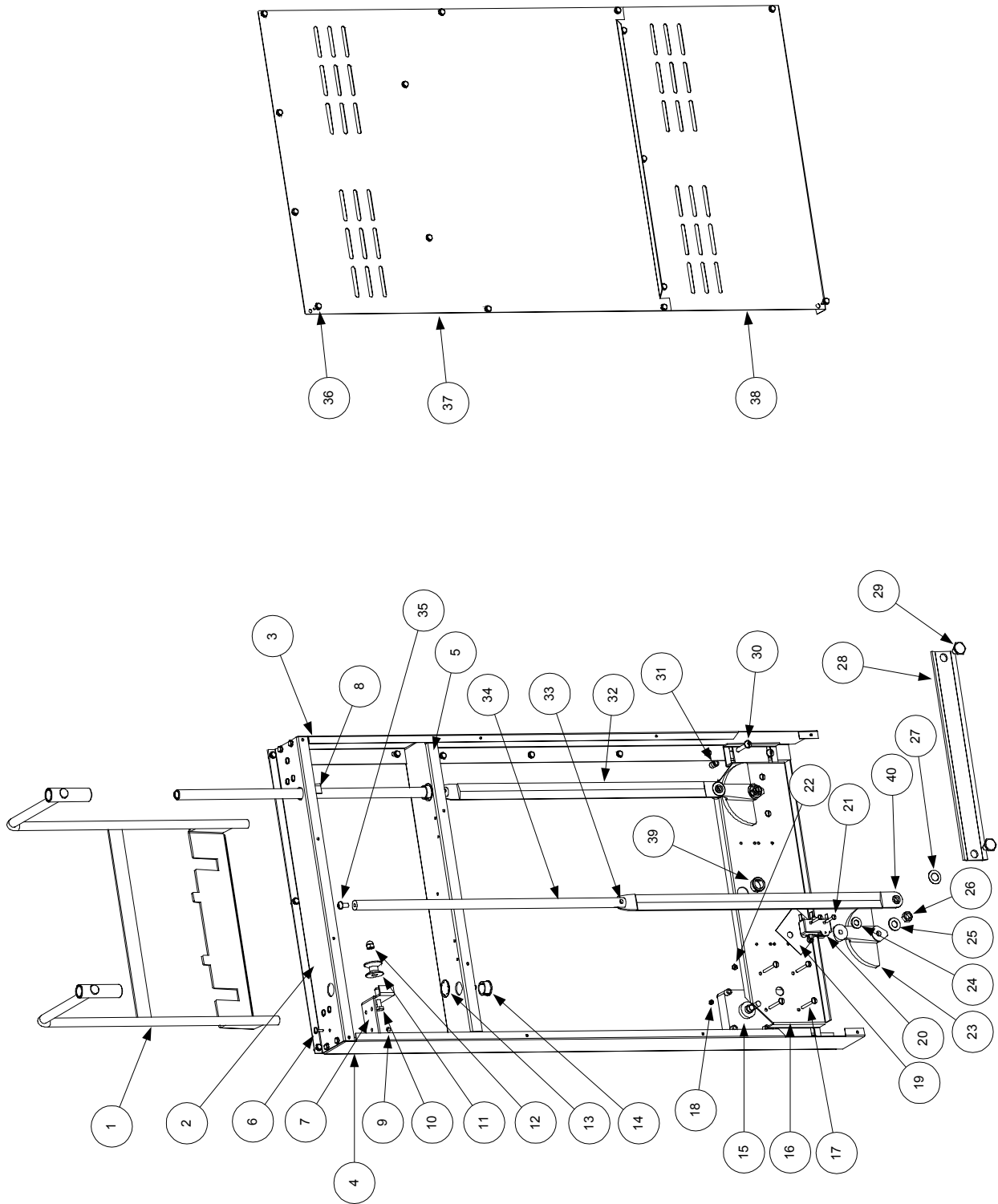
MAY 2003

6.5 Parts List



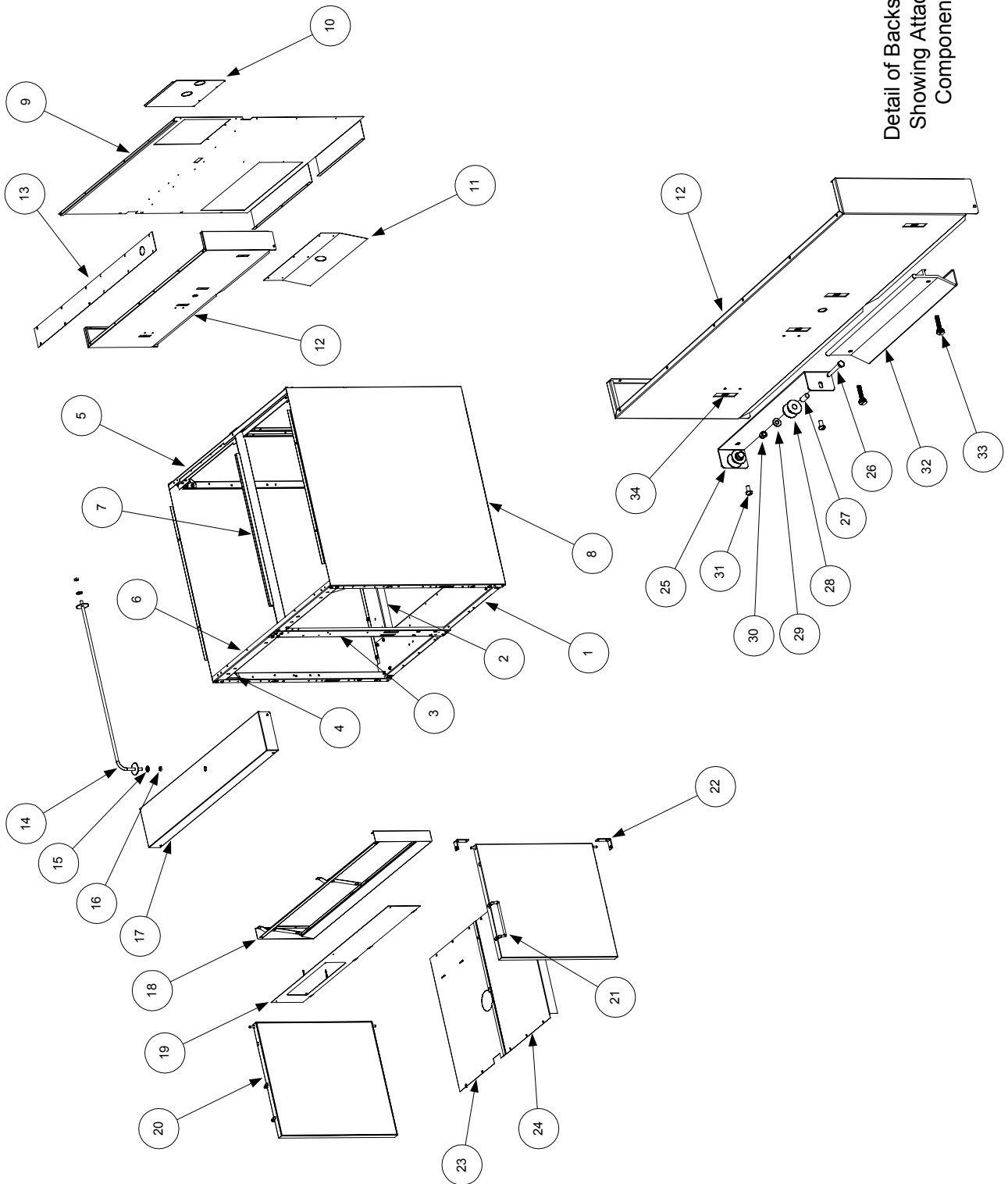
ITEM	PART #	COMPONENT
1	823-2939	Cooking Basket
2	823-2936	Starch Diverter
3	803-0268	Basket Support Rack
*	210-5068	Pan Insert
4	910-7540	Cookpot/Rinse Tank Top Connecting Strip
5	823-2938	Rinse Basket
6	826-0900	Chain Restraint Kit
7	826-1117	Caster without Brake, 5-Inch (includes mounting hardware)
8	826-1118	Caster with Brake, 5-Inch (includes mounting hardware)

BASKET LIFT COMPONENTS



ITEM	PART #	COMPONENT
1	823-2007	Arms, Basket Lift
2	910-7420	Top, Basket Lift Enclosure
3	911-7417	Side, Basket Lift Enclosure Right
4	912-7417	Side, Basket Lift Enclosure Left
5	900-7421	Support, Basket Lift Rod Bushing
6	826-1363	Screw, 8-32 x 1/2-inch Slotted Truss Head (Pkg of 25)
7	902-1927	Bracket, Left Basket Lift Roller
8	901-1927	Bracket, Right Basket Lift Roller
9	809-0247	Nut, 8-32 Hex Keps
10	809-0508	Bolt, 1/4 -20 x 1 1/4-inch Hex Head SS
11	810-0194	Roller, Basket Lift
12	809-0047	Nut, 1/4-20 SS Hex Cap
13	809-0082	Ring, 3/4-inch Truarc
14	810-0045	Bushing, Basket Lift Rod
15	807-0108	Motor, 240VAC Basket Lift
16	900-7416	Mount, Basket Lift Motor
17	809-0113	Screw, 8-32 x 1 1/2-inch Slotted Truss Head
18	809-0050	Nut, 8-32 Hex
19	812-0138	Insulation, Motor Mount (Fishpaper)
20	807-0240	Microswitch
21	809-0097	Screw, 6-32 x 1-inch Slotted Truss Head
22	826-1358	Nut, 6-32 Hex (Pkg of 25)
23	810-0052	Cam (Bellcrank), Basket Lift
24	809-0194	Washer, 5/16-inch SAE Flat
25	809-0196	Washer, 3/8-inch SAE Flat
26	809-0063	Nut, Jam 3/8-16 Hex
27	826-1381	Washer, 1/2-inch ID x 7/8-inch OD Nylatron Flat (Pkg of 10)
28	910-4525	Bar (Link), Basket Lift Synchronizing
29	809-0155	Screw, 5/16-18 x 5/8-inch Leveling
30	826-1370	Screw, 1/4-20 x 1 1/4-inch Slotted Round Head (Pkg of 10)
31	809-0076	Nut, 1/4-20 x 3/4-inch Expansion
32	920-6076	Link, Basket Lift
33	810-0170	Pin, 1/4-inch x 5/8-inch Spring Dowel
34	810-0192	Rod, 19 5/8-inch Basket Lift
35	809-0127	Screw, 1/4-20 x 1/2-inch Slotted Round Head
36	809-0719	Screw, #10 x 1/2-inch 410SS
37	900-7418	Panel, Upper Basket Lift Rear
38	900-7419	Panel, Lower Basket Lift Rear
39	807-0124	Bushing, Heyco
40	810-0220	Spacer, Tubular, .493-inch OD

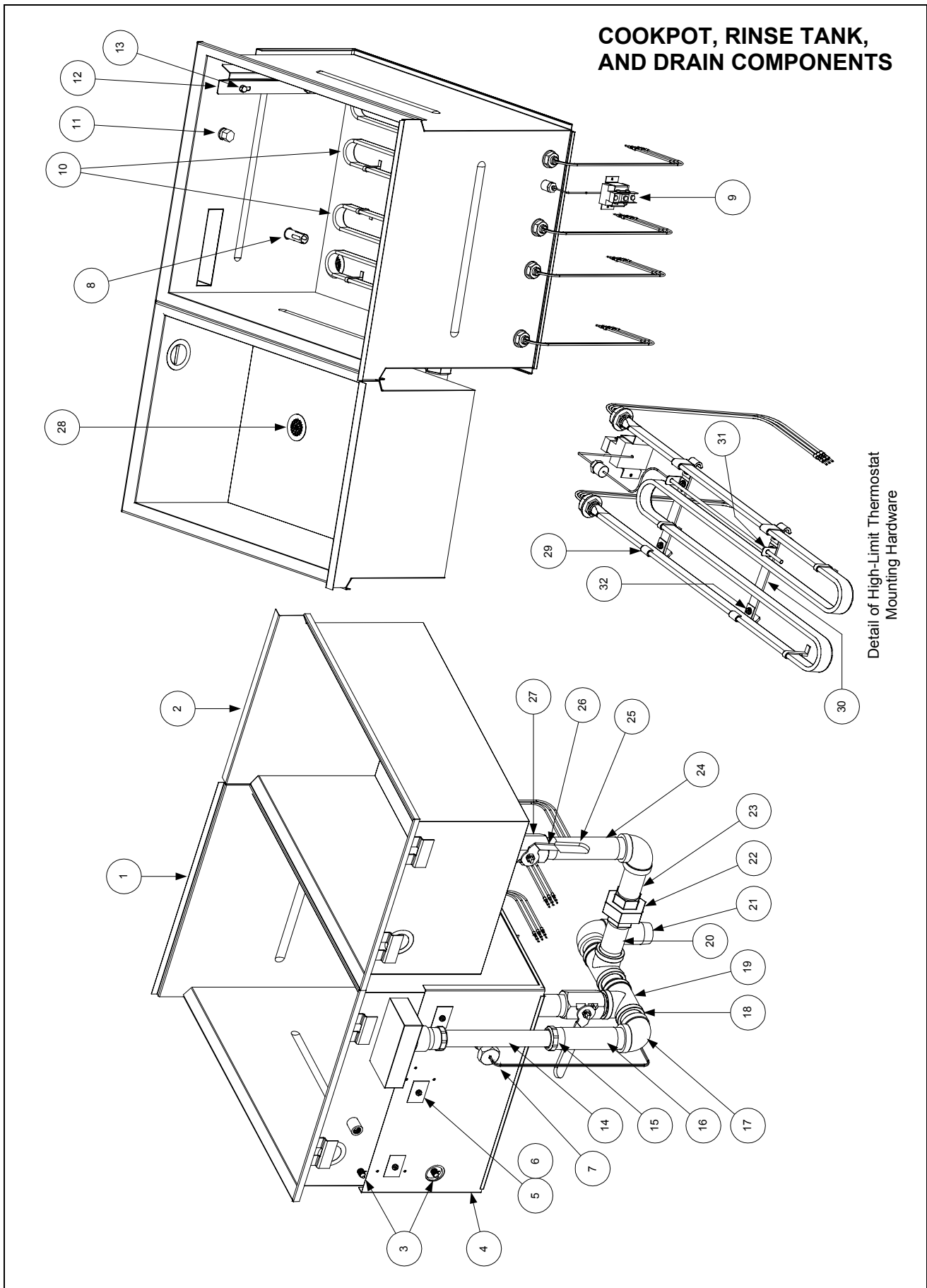
CABINETRY



Detail of Backplash
Showing Attached
Components

ITEM	PART #	COMPONENT
1	210-0815	Channel, Front or Rear Base
*	806-5209	Leg Pad Assembly (on bottom of Item 1, for mounting casters)
2	210-0816	Channel, Side Base
3	900-7198	Post, Door
4	900-1552	Gusset (Corner Brace)
5	900-7389	Brace, Top Rear
6	900-7390	Brace, Top Front
7	900-7391	Divider, Cabinet
8		Side, Left or Right Cabinet
	910-7377	Stainless Steel
	900-7377	Cold Rolled Steel (Painted)
9	900-7422	Back, Cabinet
*	826-1374	Screw, #10 x 1/2-inch Hex Washer Head (large cabinet screw) (Pkg of 25)
10	900-1750	Panel, Plumbing Access
*	826-1371	Screw, #8 x 1/2-inch Hex Head (access panel screw)
11	900-4645	Shield, Heat
12	210-0007	Backsplash
13	210-0215	Plate, Faucet Mounting
*	809-0740	Screw, #10 x 1/2-inch Phillips Truss Head (faucet plate and topcap screw)
14	810-1838	Rod, Basket Pivot
15	809-0200	Washer, 1/2-inch Flat
16	809-0063	Nut, 3/8-16 Jam
17	824-0801	Topcap
18	806-5487	Frame, Control Panel
19	823-2946	Panel, Control
20	806-9744	Door Assembly, Left or Right (does not include handle or hinges)
21	810-1402	Handle, Wire Form Door
*	809-0266	Screw, #10 x 1/2-inch Phillips Truss Head (door panel and handle screw)
22	810-1508	Hinge, Universal Door
23	210-0817	Shield, Left Moisture
24	210-0818	Shield, Right Moisture
25	910-4831	Bracket, Basket Lift Roller
26	809-0508	Bolt, 1/4-20 x 1 1/4-inch Hex Head
27	810-0374	Spacer, Basket Lift Roller Tubular
28	810-0194	Roller, Basket Lift
29	809-0190	Washer, 1/4-inch SS Flat
30	809-0047	Nut, 1/4-20 Hex Head Cap
31	809-0127	Screw, 1/4-20 x 1/2-inch Slotted Round Head
32	803-0028	Hanger, Basket (for wire-form hanger use 810-2229)
33	809-0171	Thumbscrew, Basket Hanger
34	826-1351	Retainer, 1/4-20 Nut (Nutsert) (Pkg of 10)

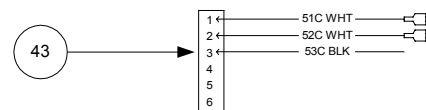
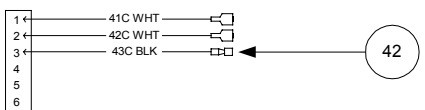
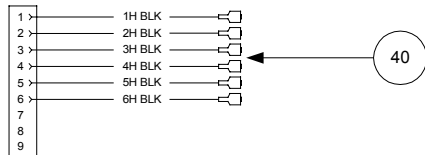
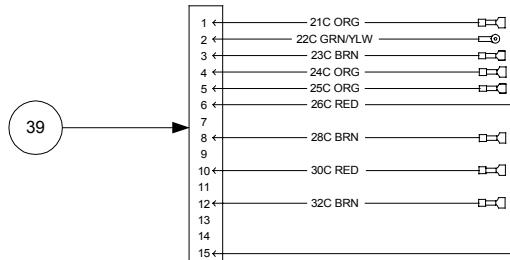
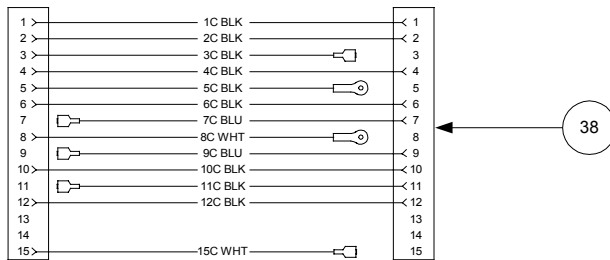
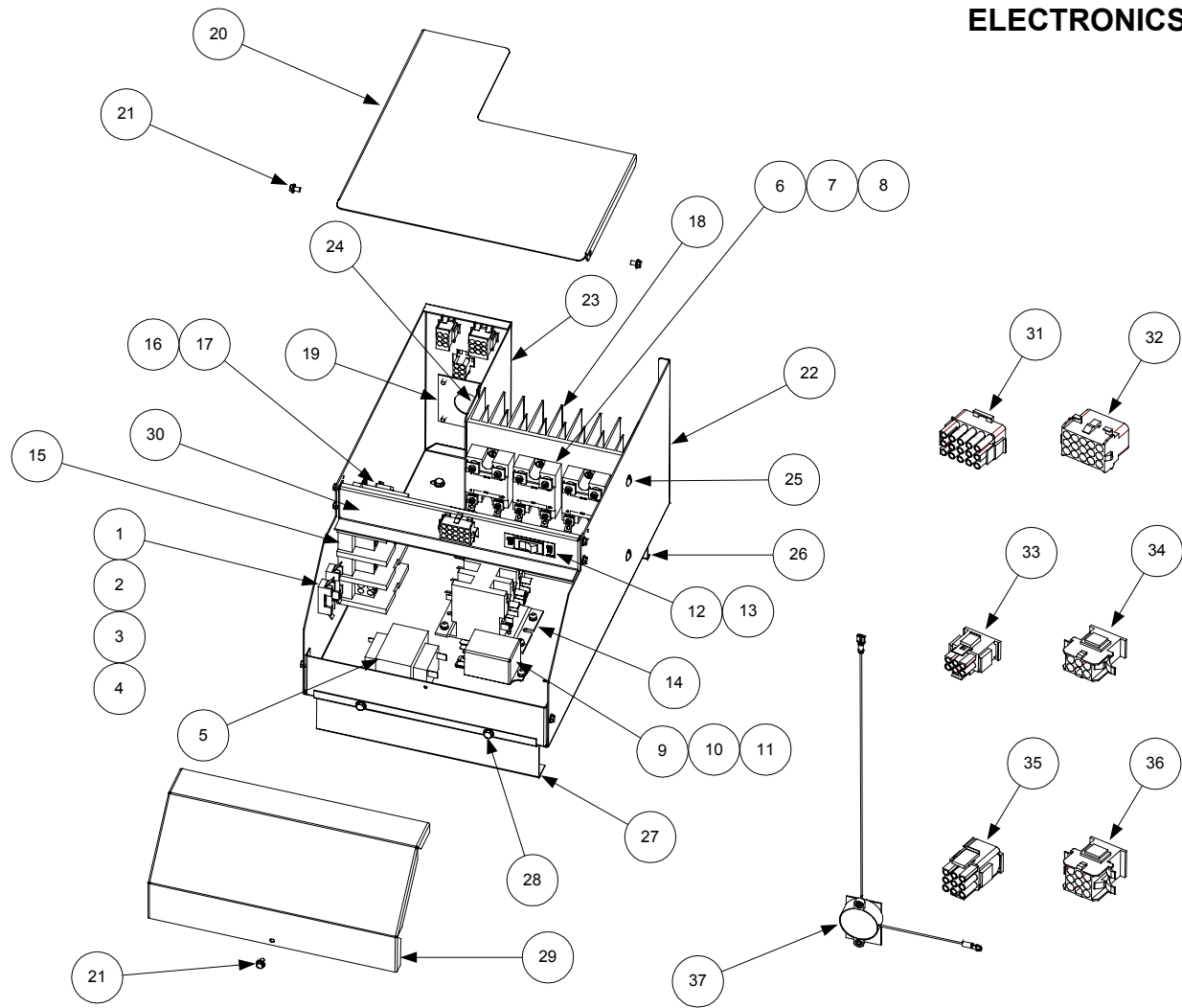
* Not illustrated.



ITEM	PART #	COMPONENT
1	823-2937SP	Cookpot Assembly (for 17EMCS (McDonald's), use 823-3827SP)
2	823-1994SP	Rinse Tank Assembly
3	806-7552SP	Water Level Sensor Assembly
4	900-5045	Retainer, Cookpot Front Insulation
*	816-0152	Insulation, Cookpot Front (behind Item 4)
5	900-1762	Retainer, Insulation
6	826-1376	Nut, 10-32 Hex Head Keps (Pkg of 10)
7	807-3333	Probe, Temperature
8	210-0681	Guard, Temperature Probe
9	807-2466	Thermostat, High-Limit
10	807-3814	Element, 208V 8.625kW (for 230V, use 807-3815; for 240V, use 807-3816)
11	810-0976	Nozzle
12	N/A	Guard, Water Level Sensor (part discontinued; no longer used)
13	809-0047	Nut, 1/4-20 Cap (secures Item 12 on units built before February 2001)
14	813-0451	Nipple, 1 1/4-inch NPT x 12-inch Chromed Brass
15	813-0453	Nut, 1 1/4-inch NPT Chromed Stainless Steel Slip
16	813-0148	Nipple, 1 1/4-inch NPT x 6 1/4-inch NPT
17	813-0070	Elbow, 1 1/4-inch NPT 90°
18	813-0400	Nipple, 1 1/4-inch NPT x 2-inch
*	813-0391	Nipple, 1 1/4-inch NPT Close (connects cookpot drain valve and Item 19)
19	813-0394	Tee, 1 1/4-inch NPT
20	813-0146	Nipple, 1 1/4-inch NPT x 4 1/4-inch
21	813-0518	Nipple, 1 1/4-inch NPT x 4-inch
22	813-0395	Union, 1 1/4-inch NPT
23	813-0144	Nipple, 1 1/4-inch NPT x 3 3/4-inch
24	813-0554	Nipple, 1 1/4-inch NPT x 7-inch
25	814-0047	Sleeve, Red Drain Valve Handle
26	910-9527	Handle, Drain Valve
27	810-1825	Valve, 1 1/4-inch NPT Drain
28	823-2022	Strainer
29	910-2042	Clamp, Element
30	910-5214	Support, Element
31	910-2097	Bracket, High-Limit
32	809-0769	Screw, #8 X 3/8-inch S/S Hex Washer Slot Head
*	809-0204	Washer, Teflon (fits between Item 10 and inside face of Cookpot)
*	809-0063	Nut, 3/8-16 Jam (secures Drain Valve Handle to Drain Valve)

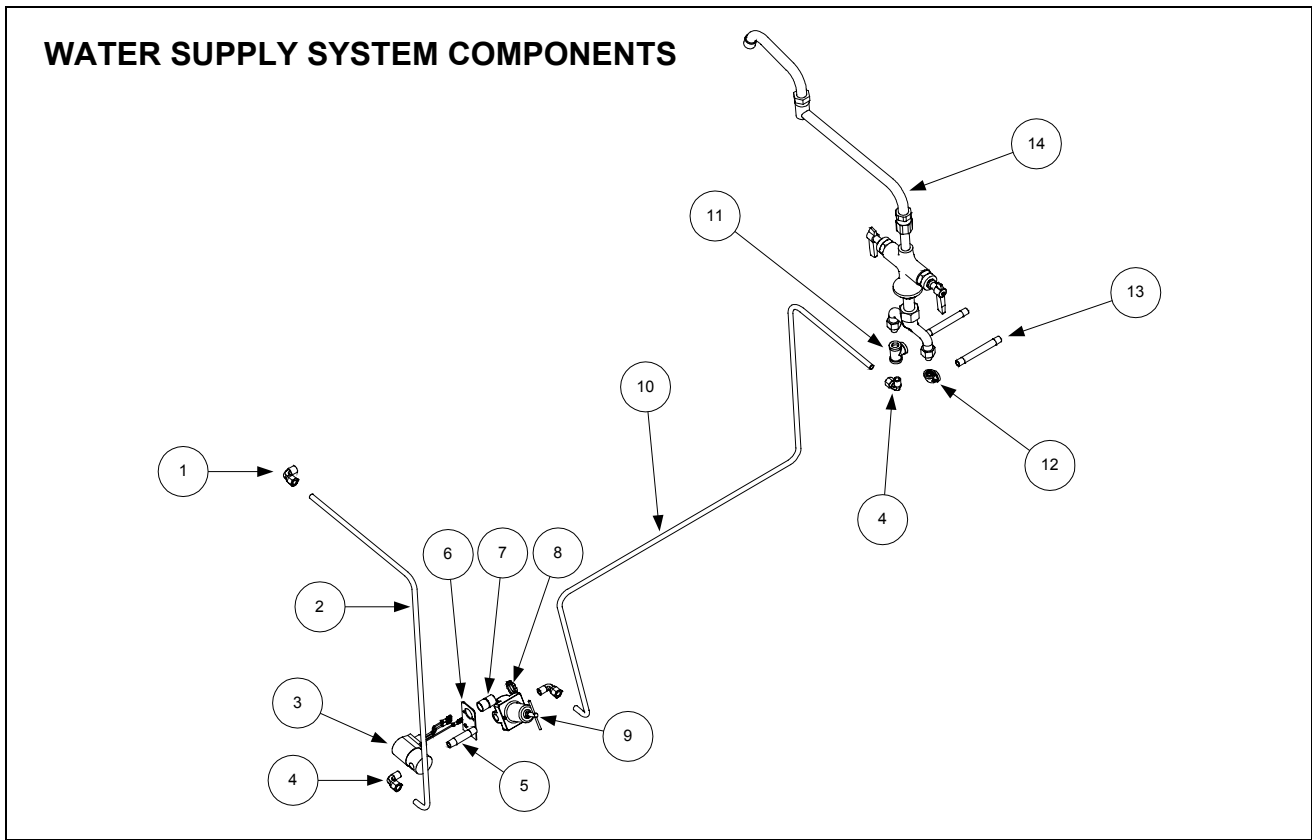
* Not illustrated.

ELECTRONICS



ITEM	PART #	COMPONENT
*	106-0385	Computer, 17ECS
*	824-0856	Starch Shield (mounts to back of control panel to protect computer)
1	807-1555	Fuse, 5 Amp
2	807-1308	Holder, Fuse
3	809-0328	Screw, 4-40 x 1/4-inch Slotted Pan Head
4	809-0237	Nut, 4-40 Hex Head Keps
5	807-0680	Transformer, 208-240VAC/24VAC 50/60Hz 43VA
6	807-3996	Relay, 75 Amp 280V SPST-NO Solid State
*	815-0554	Compound, Heatsink (GC Thorsen 10-8109)
7	807-0037	Tab, Faston 6.35 (.250) Series
8	809-0096	Screw, 6-32 x 5/8-inch Binding Slotted Head
9	807-1396	Relay, 24VDC SPDT
10	809-0102	Screw, 8-32 x 3/8-inch Slotted Truss Head
11	809-0247	Nut, 8-32 Hex Head Keps
12	807-2082	Switch, Non-Illuminated Rocker
13	802-1793A	Label, ON/OFF
14	810-1202	Contactator, 3 Pole 600VAC 40 Amp
15	807-2464	Block, Delta Power
16	807-0070	Terminal, Ground Lug
17	802-0742B	Label, Ground
18	807-2749	Heatsink
19	900-2752	Plate, Cordset
20	900-5895	Top, Triac Contactator Box
21	809-0359	Screw, #8 x 1/4-inch Slotted Hex Washer Head
22	200-0008	Box, Triac Contactator
23	900-5785	Rear, Triac Contactator Box
24	900-8239	Rear, Split Triac Contactator Box
25	809-0117	Screw, 10-32 x 3/8-inch Slotted Truss Head
26	200-0180	Brace, Contactator Box Rear
27	200-0181	Brace, Contactator Box Front
28	826-1374	Screw, #10 x 1/2-inch Hex Head
29	900-5445	Cover, Contactator Box Front
30	200-0001	Bracket, Connector
31	807-0804	Connector, 15-pin Male
32	807-0875	Connector, 15-pin Female (Panel Mount)
33	807-2135	Connector, 6-pin High-Amp Male
34	807-2136	Connector, 6-pin High-Amp Female
35	807-2137	Connector, 9-pin High-Amp Male
36	807-2138	Connector, 9-pin High-Amp Female
37	806-3660	Sound Device, High-Output
38	106-0144	Harness, Computer to Contactator Box 15-pin Wiring
39	106-0158	Harness, Contactator Box Internal 15-pin Wiring
40	106-0157	Harness, Element to Contactator 9-pin Wiring
41	106-0156	Harness, Element to Contactator 6-pin Wiring
42	106-0159	Harness, Basket Lift Relay 6-pin Wiring
43	106-0160	Harness, Basket Lift to Contactator Box 6-pin Wiring

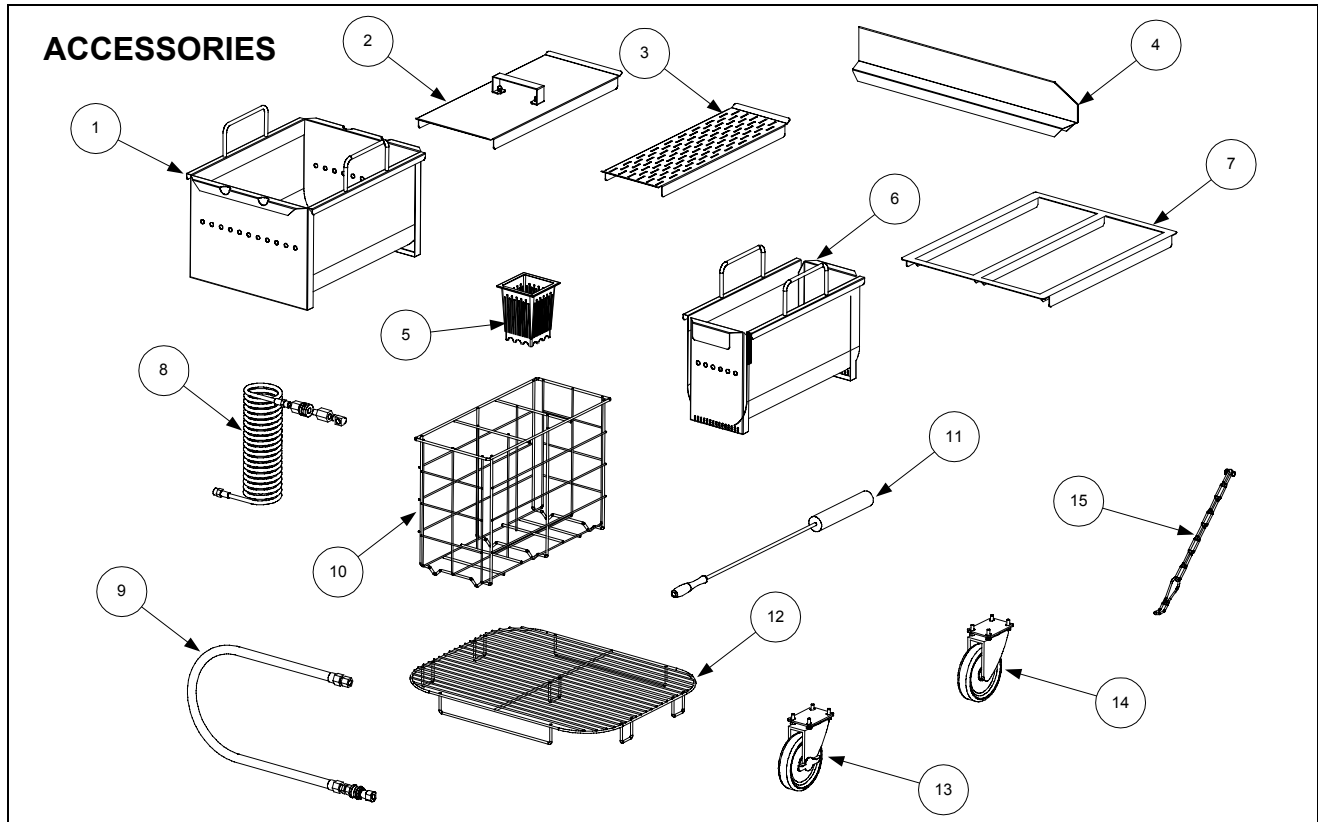
* Not illustrated.



ITEM	PART #	COMPONENT
1	810-0907	Elbow, 3/8-inch NPT Compression
2	910-2513	Tubing, Solenoid Valve to Cookpot 3/8-inch Stainless Steel
3	806-5565	Valve Assembly, 24VAC 60Hz Solenoid
4	813-0302	Elbow, 3/8-inch Tube to 1/4-inch NPT 90° Brass Male
5	813-0472	Nipple, 1/4-inch NPT x 2.5-inch Brass
6	900-1905	Mount, Solenoid Valve
7	813-0022	Nipple, 1/2-inch NPT x Close
8	809-0454	Nut, 1/2-inch Conduit
9	810-1208	Valve, Pressure Regulator
10	900-1898	Tube, 3/8-inch Water Line
11	813-0449	Tee, 1/4-inch NPT Brass
12	813-0448	Elbow, 1/4-inch NPT 90° Brass
13	813-0473	Nipple, 1/4-inch NPT x 4-inch Brass
14	813-0412	Faucet, Double Jointed Pantry
*	826-1132	Kit, Faucet Repair (contains two valve assemblies)

* Not illustrated.

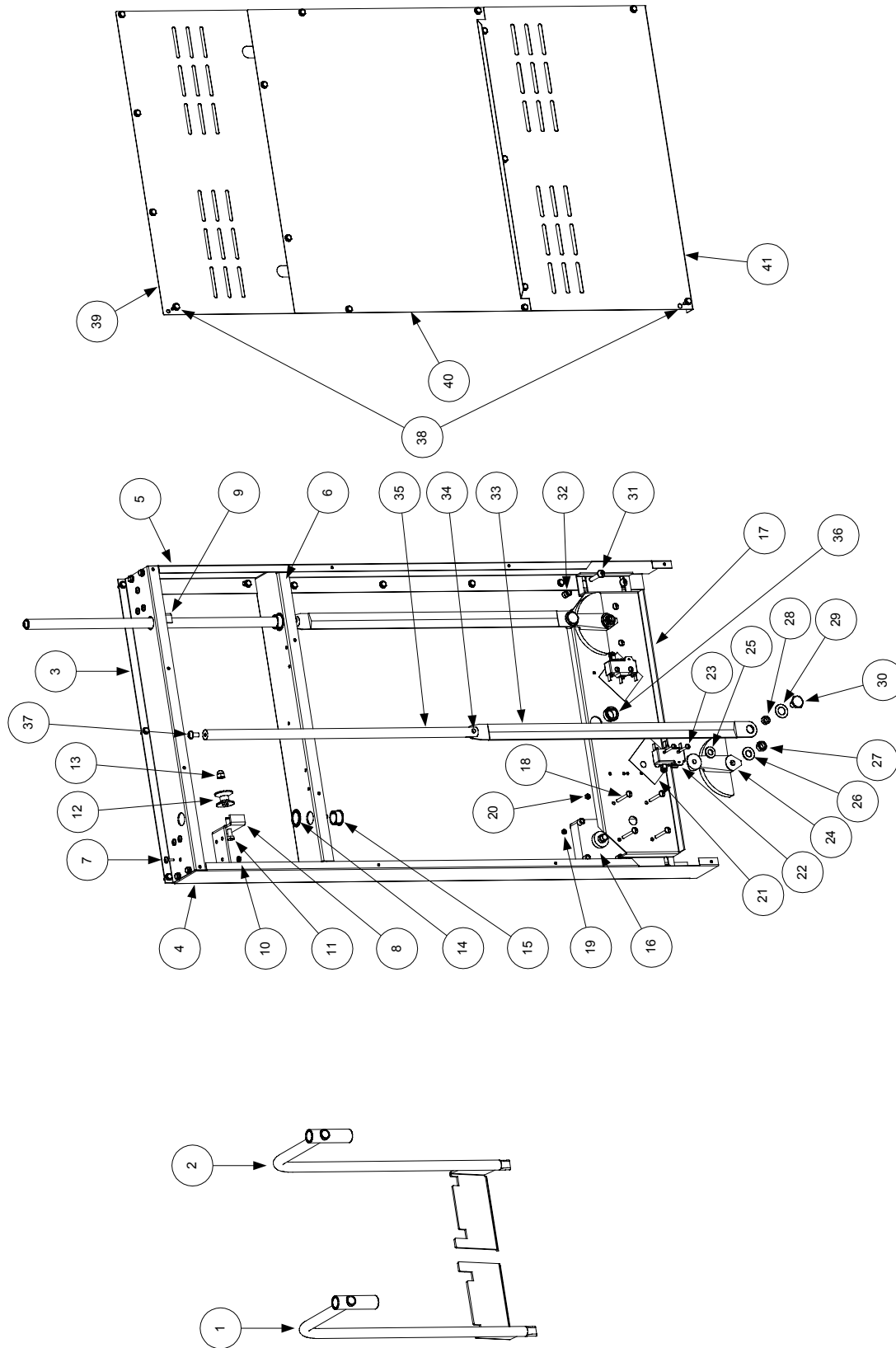
7.5 Parts List



ITEM	PART #	COMPONENT
1	823-1910	Basket, Bulk Cooking, Full Size (cannot be used with basket lifts)
2	806-7569	Cover
3	910-2545	Strainer Board
4	824-0587	Cookpot Top Connecting Strip (used on double units only)
5		Cup, Single Portion
	803-0018	Beige
	803-0260	White
6	823-2754	Basket, Bulk Cooking, Half Size (for use with basket lifts)
7	910-2766	Pan Insert
8	810-1008	Hose, Water Supply, with Quick Disconnect Fittings (Swirl)
9	810-1463	Hose, Water Supply, with Quick Disconnect Fittings
10	803-0155	Basket, Sauce Packet
11	803-0234	Brush, Probe Cleaning
12	803-0233	Rack, Basket Support
13	826-1117	Caster without Brake, 5-Inch (includes mounting hardware)
14	826-1118	Caster with Brake, 5-Inch (includes mounting hardware)
15	826-0900	Chain Restraint Kit
*	803-0259	Rack, 4 Portion Cups (for use with basket lifts)
*	803-0218	Rack, 9 Portion Cups (cannot be used with basket lifts)

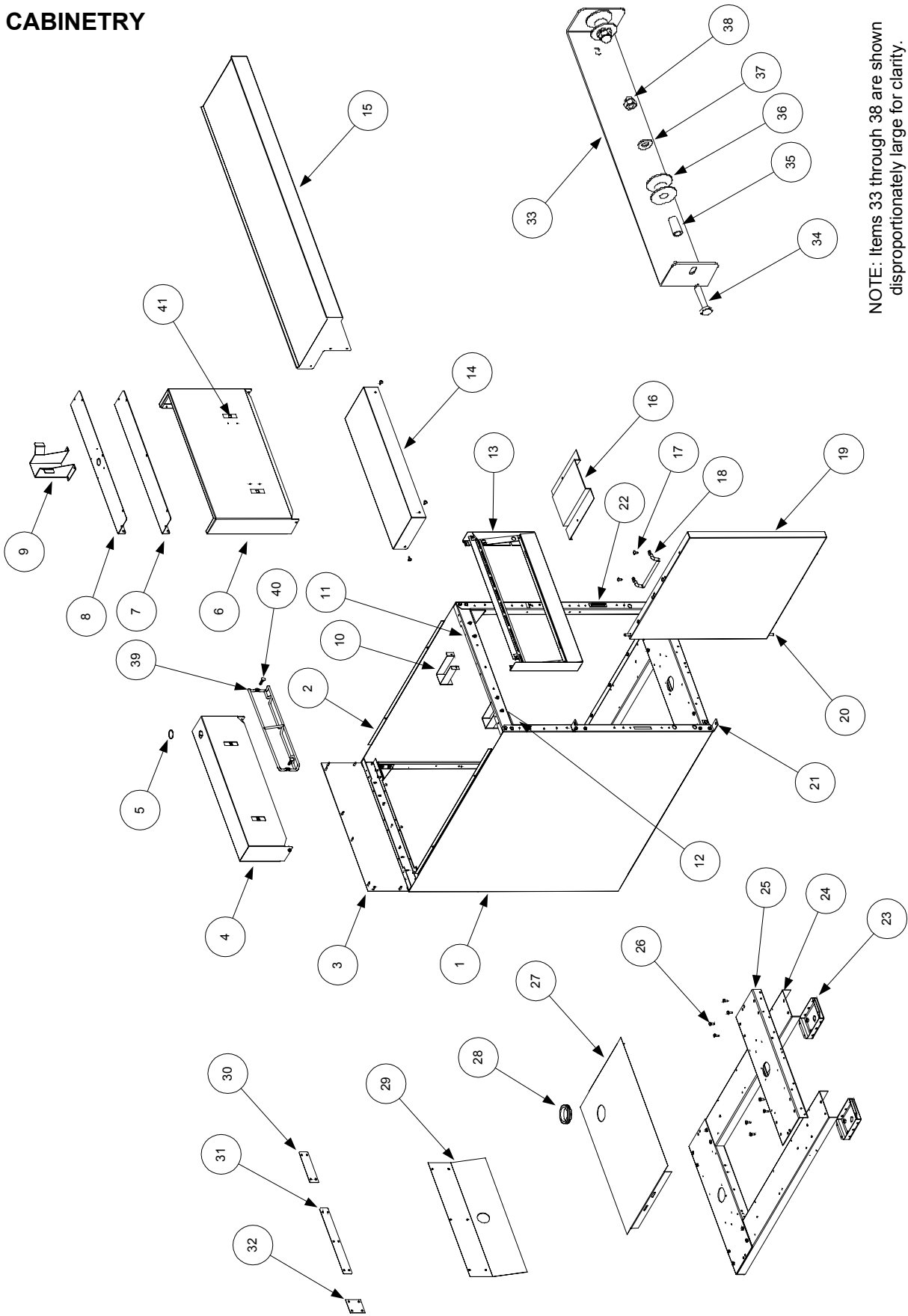
* Not illustrated.

BASKET LIFT COMPONENTS



ITEM	PART #	COMPONENT
1	823-2753	Arm, Right Basket Lift (as viewed from front of unit)
2	823-2752	Arm, Left Basket Lift (as viewed from front of unit)
3	910-7420	Top, Basket Lift Enclosure
4	911-7417	Side, Basket Lift Enclosure Right
5	912-7417	Side, Basket Lift Enclosure Left
6	900-7421	Support, Basket Lift Rod Bushing
7	826-1363	Screw, 8-32 x ½-inch Slotted Truss Head (Pkg of 25)
8	902-1927	Bracket, Left Basket Lift Roller
9	901-1927	Bracket, Right Basket Lift Roller
10	809-0247	Nut, 8-32 Hex Keps
11	809-0508	Bolt, ¼ -20 x 1 ¼-inch Hex Head SS
12	810-0194	Roller, Basket Lift
13	809-0047	Nut, ¼-20 SS Hex Cap
14	809-0082	Ring, ¾-inch Truarc
15	810-0045	Bushing, Basket Lift Rod
16	807-0108	Motor, 240VAC Basket Lift
17	900-7416	Mount, Basket Lift Motor
18	809-0113	Screw, 8-32 x 1 ½-inch Slotted Truss Head
19	809-0050	Nut, 8-32 Hex
20	826-1358	Nut, 6-32 Hex (Pkg of 25)
21	812-0138	Insulation, Motor Mount (Fishpaper)
22	807-0240	Microswitch
23	809-0097	Screw, 6-32 x 1-inch Slotted Truss Head
24	810-0052	Cam (Bellcrank), Basket Lift
25	809-0194	Washer, 5/16-inch SAE Flat
26	809-0196	Washer, ⅜-inch SAE Flat
27	809-0063	Nut, Jam 3/8-16 Hex
28	810-0220	Spacer, Tubular, .493-inch OD
29	809-0203	Washer, ½-inch ID x ⅞-inch OD Nylatron Flat (Pkg of 10)
30	809-0155	Screw, 5/16-18 x ⅝-inch Leveling
31	826-1370	Screw, ¼-20 x 1 ¼-inch Slotted Round Head (Pkg of 10)
32	809-0076	Nut, ¼-20 x ¾-inch Expansion
33	920-6076	Link, Basket Lift
34	810-0170	Pin, ¼-inch x ⅝-inch Spring Dowel
35	810-0192	Rod, 19 ⅝-inch Basket Lift
36	807-0124	Bushing, Heyco
37	809-0127	Screw, ¼-20 x ½-inch Slotted Round Head
38	809-0719	Screw, #10 x ½-inch 410SS
39	900-8063	Panel, Upper Basket Lift Rear
40	900-7995	Panel, Middle Basket Lift Rear
41	900-7419	Panel, Lower Basket Lift Rear

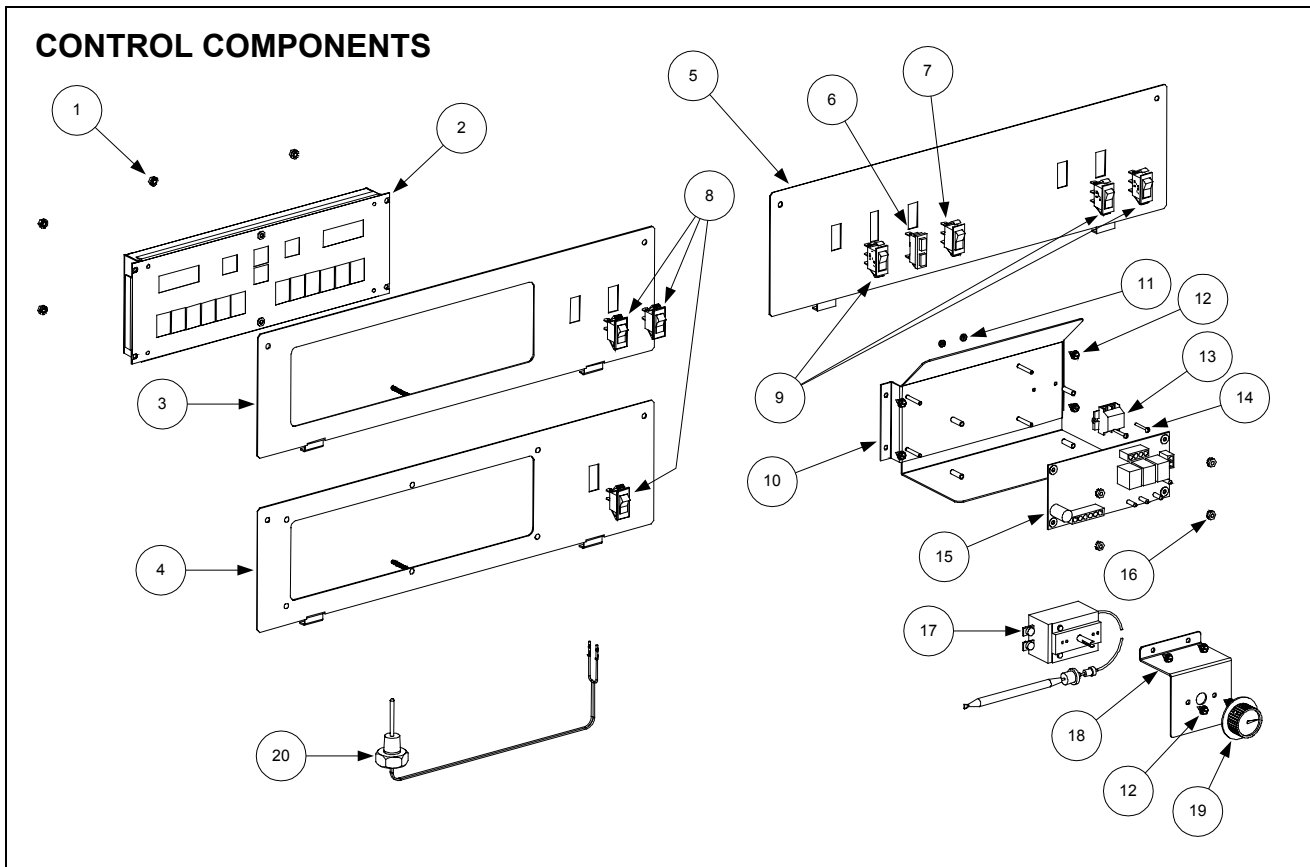
CABINETRY



NOTE: Items 33 through 38 are shown disproportionately large for clarity.

ITEM	PART #	COMPONENT
1		Side, Left or Right Cabinet
	910-7377	Stainless Steel
	900-7377	Cold Rolled Steel (Painted)
2	910-2914	Side, Double Unit Inner Cabinet
3	900-5023	Back, Cabinet
4	824-0633	Backsplash (units without basket lifts)
5	810-0044	Plug, 7/8-inch (used on units without basket lifts or faucets)
6	823-2105	Backsplash (used on units with basket lifts)
7	910-8355	Cover, Backsplash Top (used on basket lift units without faucet)
8	910-8060	Cover, Backsplash Top (used on basket lift units with faucet)
9	910-8058	Restrictor, Faucet Rotation (used on basket lift units with faucet)
10	900-1759	Bracket, Pot Hold Down
11	900-4654	Brace, Top
12	900-1552	Gusset (Corner Brace)
13	806-5260	Frame, Control Panel
14	910-7541	Topcap
15	823-2351	Topcap, Plate-Width (used on double units only)
16	900-2762	Support, Plate-Width Topcap
17	809-0266	Screw, #10 x 1/2-inch Phillips Truss Head (door panel and handle screw)
18	810-1402	Handle, Wire Form Door
19	806-3853	Door Assembly, Left or Right (does not include handle or hinges)
20	806-4487	Door Pin Assembly
21	810-1508	Hinge, Universal Door
*	826-1343	Spring, Door Hinge (Pkg of 10)
22	810-1105	Magnet, Door
23	806-5209	Leg Pad Assembly
24	900-7528	Channel, Left or Right Side Base
25	900-4655	Channel, Front or Rear Base
26	826-1374	Screw, #10 x 1/2-inch Washer Hex Head (Pkg of 25)
27	900-8273	Moisture Shield
28	816-0091	Grommet, 1 1/4-inch Drain
29	900-4645	Shield, Heat
30	910-5137	Plate, Battering (4.7-inch x 1.2-inch with 4 holes)
31	910-3122	Plate, Battering (10-inch x 1.2-inch with 6 holes)
32	910-0404	Plate, Battering (2-inch x 2-inch with 4 holes)
33	910-4831	Bracket, Basket Lift Roller
*	809-0127	Screw, 1/4-20 x 1/2-inch Slotted Round Head (for mounting Item 33)
34	809-0508	Bolt, 1/4-20 x 1 1/4-inch Hex Head
35	810-0374	Spacer, Basket Lift Roller Tubular
36	810-0194	Roller, Basket Lift
37	809-0190	Washer, 1/4-inch SS Flat
38	809-0047	Nut, 1/4-20 Hex Head Cap
39	810-2229	Hanger, Basket (replaced extruded aluminum hanger 803-0028, which is no longer available.)
40	809-0171	Thumbscrew, Basket Hanger
41	826-1351	Retainer, 1/4-20 Nut (Nutsert) (Pkg of 10)

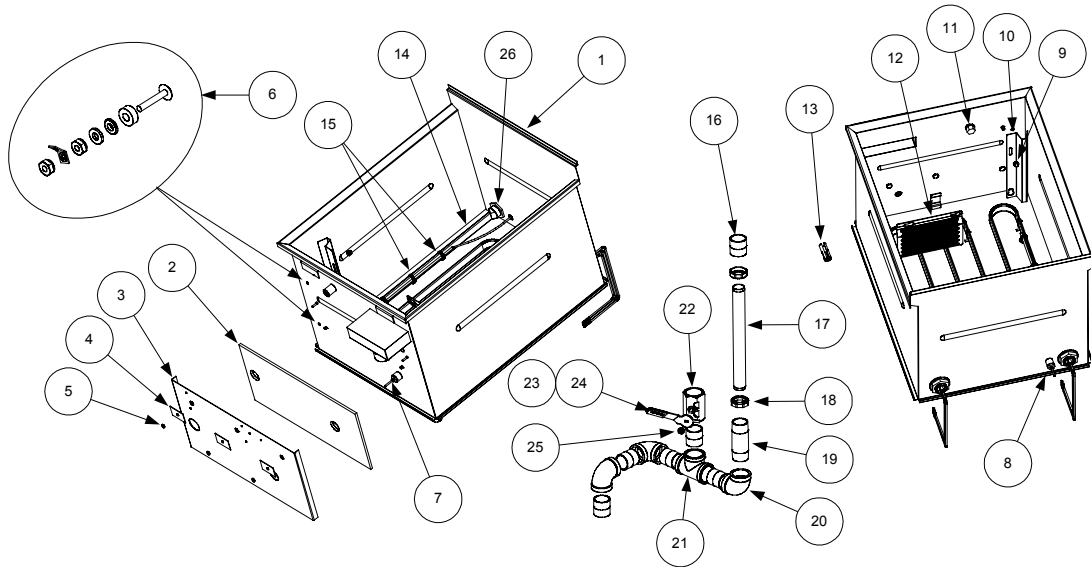
* Not illustrated.



ITEM	PART #	COMPONENT
1	809-0250	Nut, 6-32 Hex Head Keys
2	806-9100	Computer, CM III (for use on EWBS units only)
3	823-2760	Panel, Computer Control with Two Cutouts
4	823-2770	Panel, Computer Control with One Cutout
5	910-2454	Panel, Manual (Thermostat) Control
6	807-0495	Light, Red and White Split, 24V
7	807-2479	Switch, ON-OFF-ON Rocker (Non-Illuminating)
8	807-2082	Switch, ON-OFF Rocker (Non-Illuminating)
9	807-2273	Switch, ON-OFF Rocker (Non-Illuminating)
10	806-9413	Bracket, Interface Board Mounting
11	809-0238	Nut, 4-40 Hex Head
12	809-0360	Screw, #8 x 3/8-inch Washer Slotted Hex Head
13	810-1164	Block, Screwless Terminal
14	809-0354	Screw, 4-40 x 3/4-inch Slotted Pan Head
15		Interface Board
	806-6505	For use on units with manual (thermostat) controls.
	806-9295	For use on units with computer.
16	809-0250	Nut, 6-32 Hex Head Keys
17	807-2272	Thermostat, Operating
18	900-5026	Bracket, Thermostat Mounting
19	810-0387	Knob, Control
*	802-1432C	Label, Thermostat Dial (adhesive-backed)
20	806-4206	Probe, Temperature (for use on units with computers)

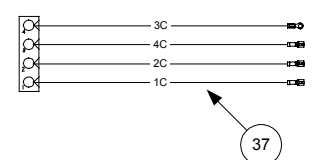
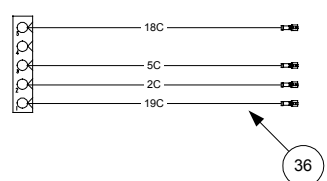
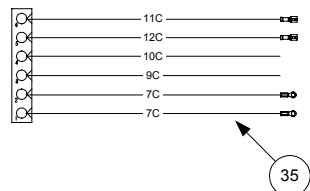
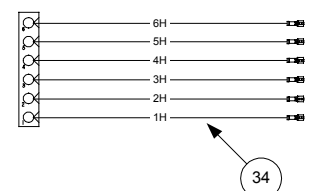
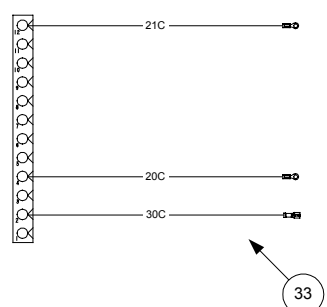
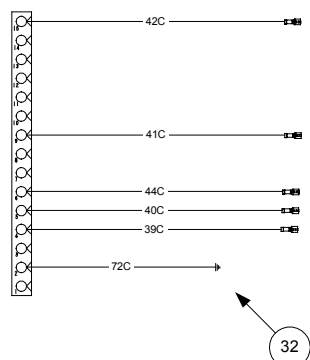
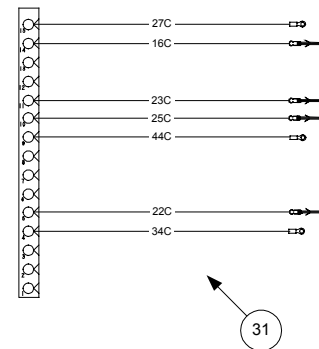
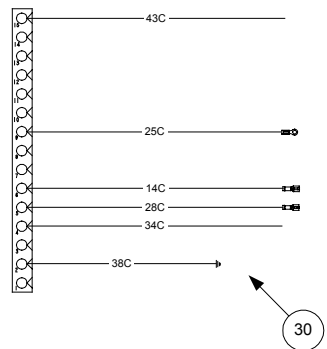
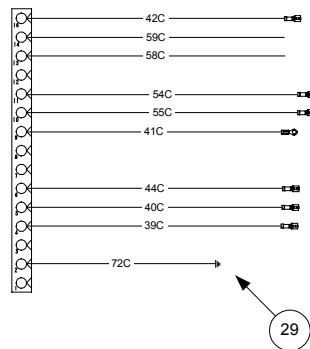
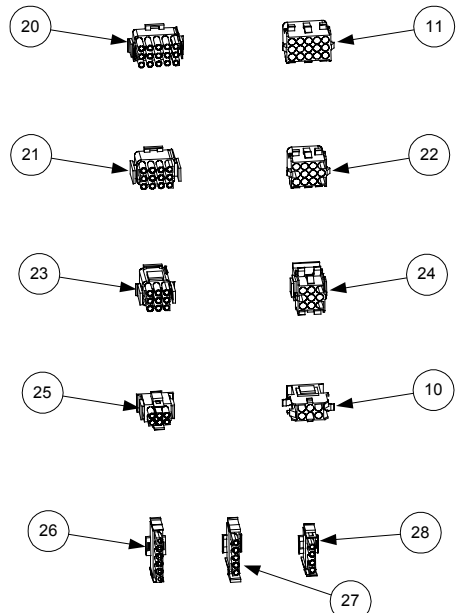
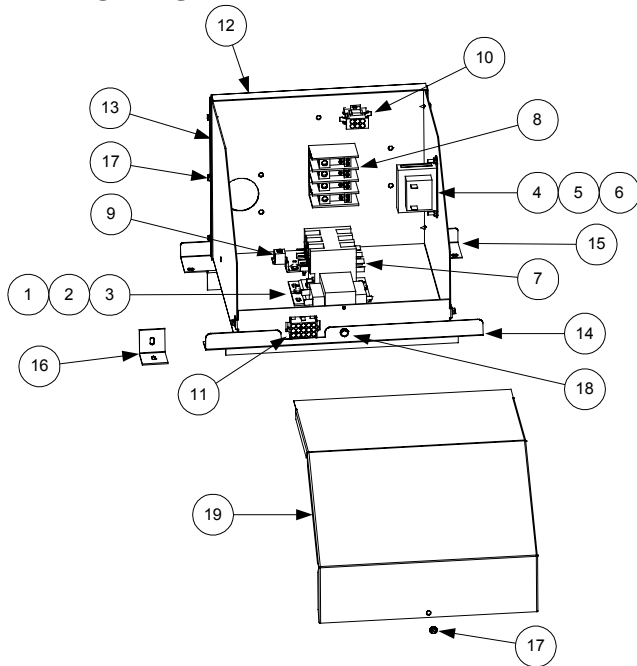
* Not illustrated.

COOKPOT AND DRAIN COMPONENTS



ITEM	PART #	COMPONENT
1		Cookpot
	823-2392SP	Units with Manual Controls
	823-2757SP	Units with Computers
2	816-0152	Insulation, Cookpot Front
3	900-5405	Retainer, Cookpot Front Insulation
4	900-1762	Retainer, Insulation
5	826-1376	Nut, 10-32 Hex Head Keps (Pkg of 10)
6	806-7552SP	Water-Level Sensor Assembly
7		Temperature Sensor
	807-2272	Operating Thermostat (units with manual controls)
	806-4206	Temperature Probe (units with computers)
8	807-2466	High-Limit Thermostat
9	809-0047	Nut, 1/4-20 Cap
10	910-2927	Cover, Water-Level Sensor
11	810-0976	Nozzle
12	910-1038	Thermostat Guard (units with manual controls)
13	810-0738	Probe Guard (units with computers)
14	807-2440	Element, 208V 13kW Heating
15	809-0567	Tie Wrap, Metal
16	813-0391	Nipple, 1/4-inch NPT Close
17	813-0451	Nipple, 1/4-inch NPT x 12-inch Chromed Brass
18	813-0453	Nut, 1/4-inch NPT Chromed Stainless Steel Slip
19	813-0146	Nipple, 1/4-inch NPT x 4/4-inch
20	813-0070	Elbow, 1/4-inch NPT 90°
21	813-0394	Tee, 1/4-inch NPT
22	810-1825	Valve 1/4-inch NPT Drain
23	814-0047	Sleeve, Red Drain Valve Handle
24	910-9527	Handle, Drain Valve
25	809-0063	Nut, 3/8-16 Jam
26	809-0204	Washer, Teflon (between element and inside face of cookpot)

ELECTRONICS

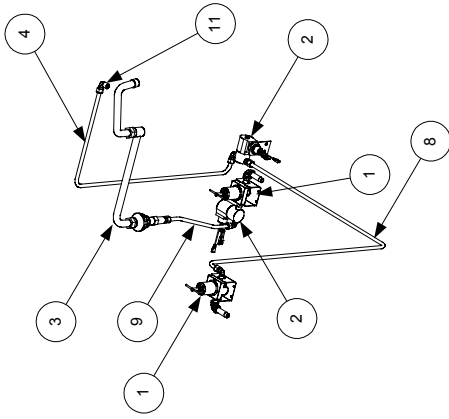


ITEM	PART #	COMPONENT
1	807-0680	Transformer, 208-240VAC/24VAC, 50/60Hz, 43VA
2	809-0112	Screw, 8-32 x 1¼-inch, Slotted Truss Head
3	809-0247	Nut, 8-32 Hex Keps
4	807-0979	Transformer, 208-240VAC/12VAC, 50/60Hz, 20VA (for Basket Lift)
5	809-0104	Screw, 8-32 x ½-inch Slotted Hex Washer Head
6	809-0050	Nut, 8-32 Hex
7	810-1202	Contactora, 3-pole, 600V, 40 Amp
8	807-2465	Power Block
9	807-0070	Terminal, Ground Lug
10	807-2136	Connector, 6-pin High Amp Female (2 x 3)
11	807-0875	Connector, 15-pin Female (3 x 5)
12	900-5000	Back, Contactora Box
13	900-5001	Contactora Box
14	900-5027	Brace, Contactora Box Front
15	900-5028	Brace, Contactora Box Rear
16	900-0289	Bracket, Contactora Box (used with Moisture Shield [Item 27, Page 22])
17	809-0360	Screw, 8-32 x ¾-inch Slotted Hex Washer Head Drill Point
18	809-0434	Screw, 8-32 x ¾-inch Hex Washer Head Machine
19	900-5150	Cover, Contactora Box
20	807-0804	Connector, 15-pin Male (3 x 5)
21	807-0160	Connector, 12-pin Male (3 x 4)
22	807-0159	Connector, 12-pin Female (3 x 4)
23	807-2137	Connector, 9-pin Male (3 x 3)
24	807-2138	Connector, 9-pin Female (3 x 3)
25	807-2135	Connector, 6-pin High Amp Male (2 x 3)
26	807-0184	Connector, 6-pin Male (1 x 6)
27	807-3075	Connector, 5-pin Male (1 x 5)
28	807-2078	Connector, 4-pin Male (1 x 4)
29	806-9299	Harness, Contactora Box Internal (15-pin female connector with 10 leads)
30	806-9095	Harness, Contactora Box External (15-pin male connector with 6 leads)
31	806-9309	Harness, EWBS Computer (15-pin male connector with 7 leads)
32	806-8808	Harness, Contactora Box Internal (15-pin female connector with 6 leads)
33	806-9308	Harness, EWBS IFB to Components (12-pin male connector with 3 leads)
34	106-0156	Harness, Element to Contactora (6-pin female connector with 6 leads)
*	806-8807	Harness, Element to Contactora (9-pin female connector with 6 leads)
35	806-9096	Harness, ESW Interface Board (6-pin male connector with 6 leads)
36	806-9305	Harness, EWBS Basket Lift (5-pin male connector with 4 leads)
37	806-9097	Harness, ESW/EWBS w/o Basket Lift (4-pin male connector with 4 leads)

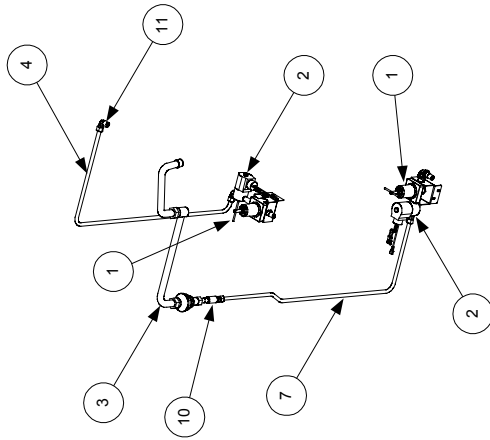
* Not illustrated.

WATER SUPPLY COMPONENTS

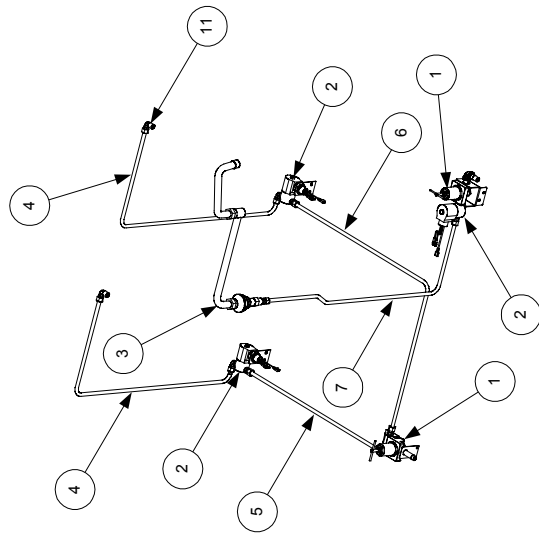
TYPICAL WATER SUPPLY CONFIGURATIONS



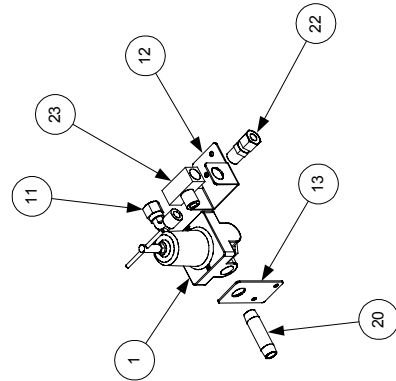
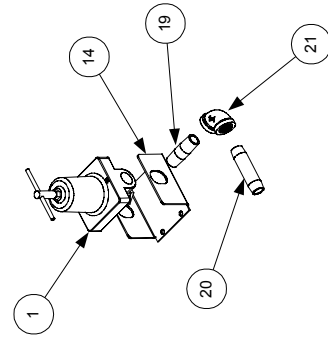
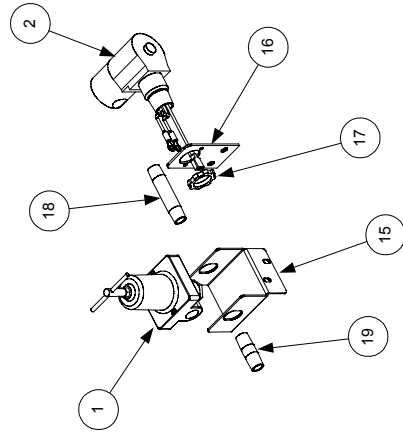
Single Unit with
Basket Lifts



Single Unit without
Basket Lifts



Double Unit without
Basket Lifts



DETAIL OF PRESSURE REGULATOR AND SOLENOID COMPONENTS
(shown disproportionately large for clarity)

ITEM	PART #	COMPONENT
1	810-1208	Valve, Water Pressure Regulator
2	806-7551	Valve Assembly, Solenoid
3	813-0513	Faucet, Double Jointed (with no cutoff valve)
4	910-2513	Tubing, Solenoid Valve to Cookpot
5	812-1292	Tubing, Regulator Valve to Right Solenoid Valve (used in double units)
6	812-1293	Tubing, Regulator Valve to Left Solenoid Valve (used in double units)
7	910-5149	Tubing, Solenoid Valve to Faucet
8	910-8011	Tubing, Regulator Valve to Solenoid Valve (units with basket lifts only)
9	910-8012	Tubing, Solenoid Valve to Faucet (units with basket lifts only)
10	813-0507	Coupling, 1/4-inch NPT Brass
11	810-0907	Compression Fitting, 3/8-inch NPT to Tubing 90° Elbow
12	900-2915	Bracket, Pressure Regulator Valve (used in double units)
13	900-2917	Brace, Water Inlet (used in double units)
14	900-7991	Bracket, Pressure Regulator Valve (units with basket lifts only)
15	900-2916	Bracket, Pressure Regulator Valve (units without basket lifts only)
16	900-1905	Bracket, Solenoid Valve (units without basket lifts only)
17	809-0454	Nut, 1/2-inch Conduit
18	813-0472	Nipple, 1/4-inch NPT x 2.5-inch
19	813-0471	Nipple, 1/4-inch NPT x 1.5-inch
20	813-0450	Nipple, 1/4-inch NPT x 2.0-inch
21	813-0448	Elbow, 90° 1/4-inch NPT
22	810-1025	Compression Fitting, 1/4-inch NPT to Tubing Straight
23	813-0495	Tee, 1/4-inch NPT Male Branch to 1/4-inch NPT Female