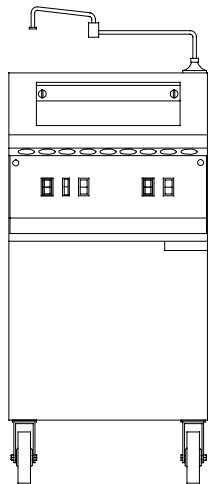
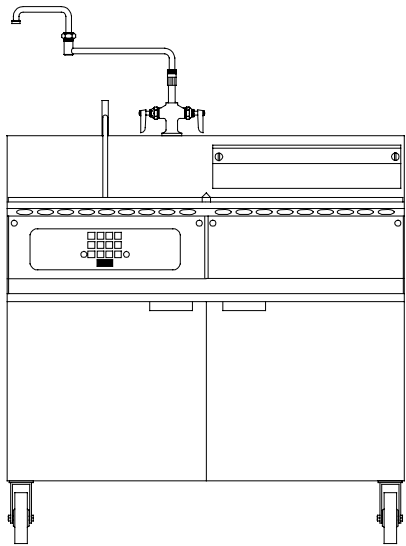


Electric Cooker Models 8SMS, 8BC and 8C Installation, Operation, Service, and Parts Manual



Frymaster, a member of the Commercial Food Equipment Service Association, recommends using CFESA Certified Technicians.

24-Hour Service Hotline 1-800-551-8633

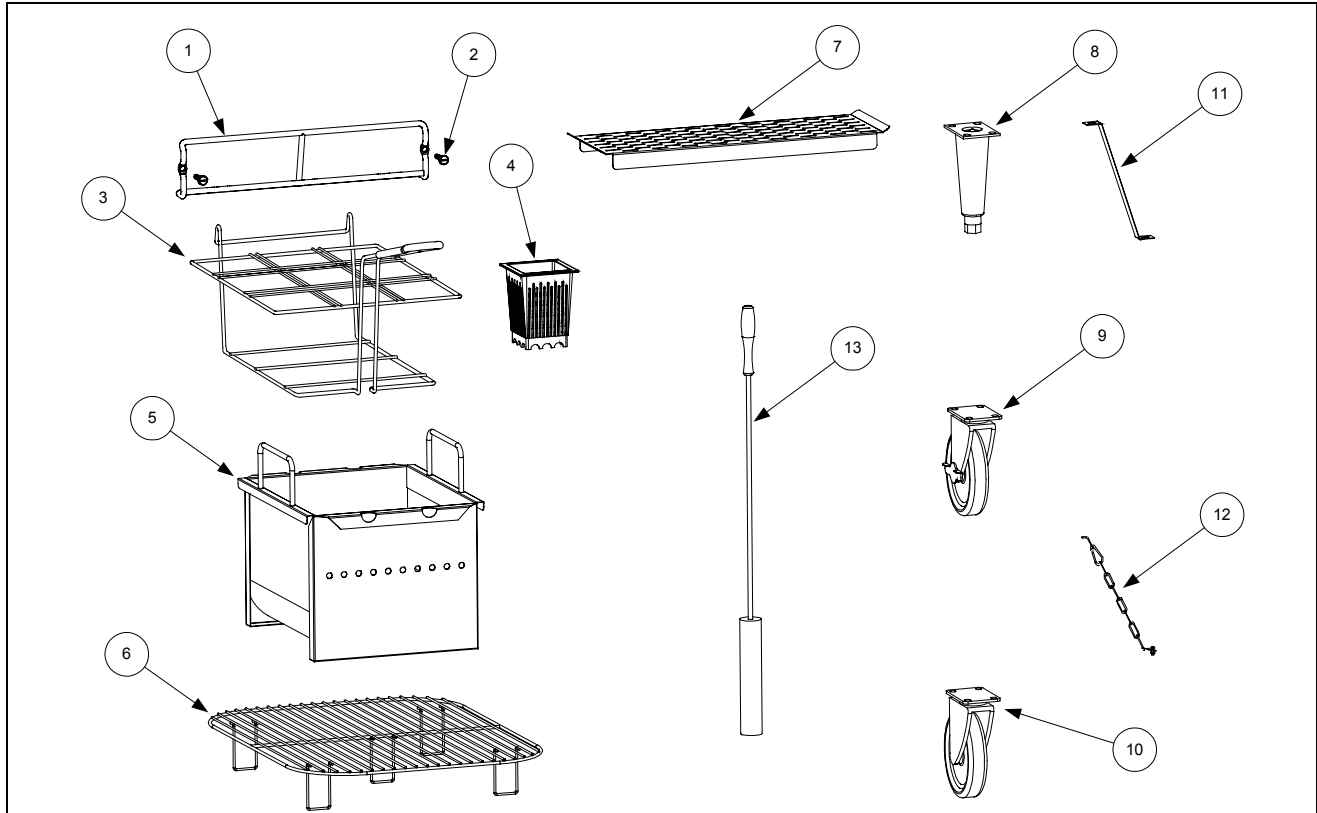
Online manual updated
06/10/04.

May 2003
* 8195246 *

ELECTRIC COOKERS 8SMS, 8BC AND 8C

CHAPTER 7: PARTS LIST

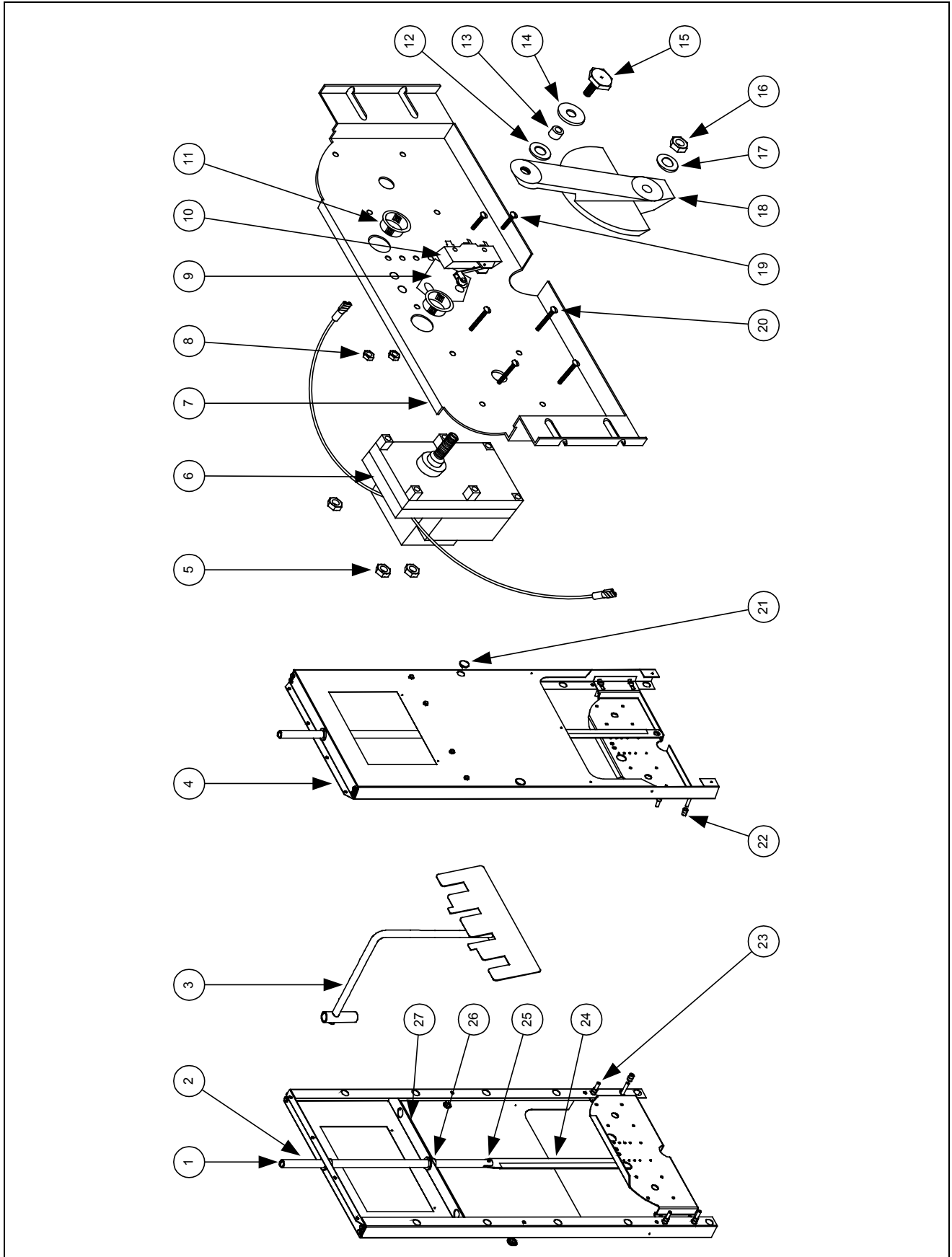
7.1 Accessories



| ITEM | PART # | COMPONENT |
|------|----------|--|
| 1 | 810-2112 | Basket Hanger, Wire Form |
| 2 | 809-0171 | Basket Hanger Screw |
| 3 | 803-0155 | Holder, Portion Cup |
| 4 | 803-0018 | Cup, Portion |
| 5 | 823-1662 | Basket, Bulk Product |
| 6 | 803-0167 | Rack, Basket Support |
| 7 | 910-2545 | Strainer |
| 8 | 806-3811 | Legs, Package of 4 Adjustable |
| 9 | 810-0357 | Caster w/Brake |
| 10 | 810-0356 | Caster w/o Brake |
| * | 826-1113 | Kit, Leg/Caster Mounting (1 kit required per leg or caster) |
| 11 | 826-1095 | Kit, Anchor Strap (for use w/Cookers equipped with legs) |
| 12 | 826-0900 | Kit, Chain Restraint (for use w/Cookers equipped with casters) |
| 13 | 803-0234 | Brush, Probe Cleaning |
| * | 823-2608 | Connecting Strip, 8SMS |

* Not illustrated

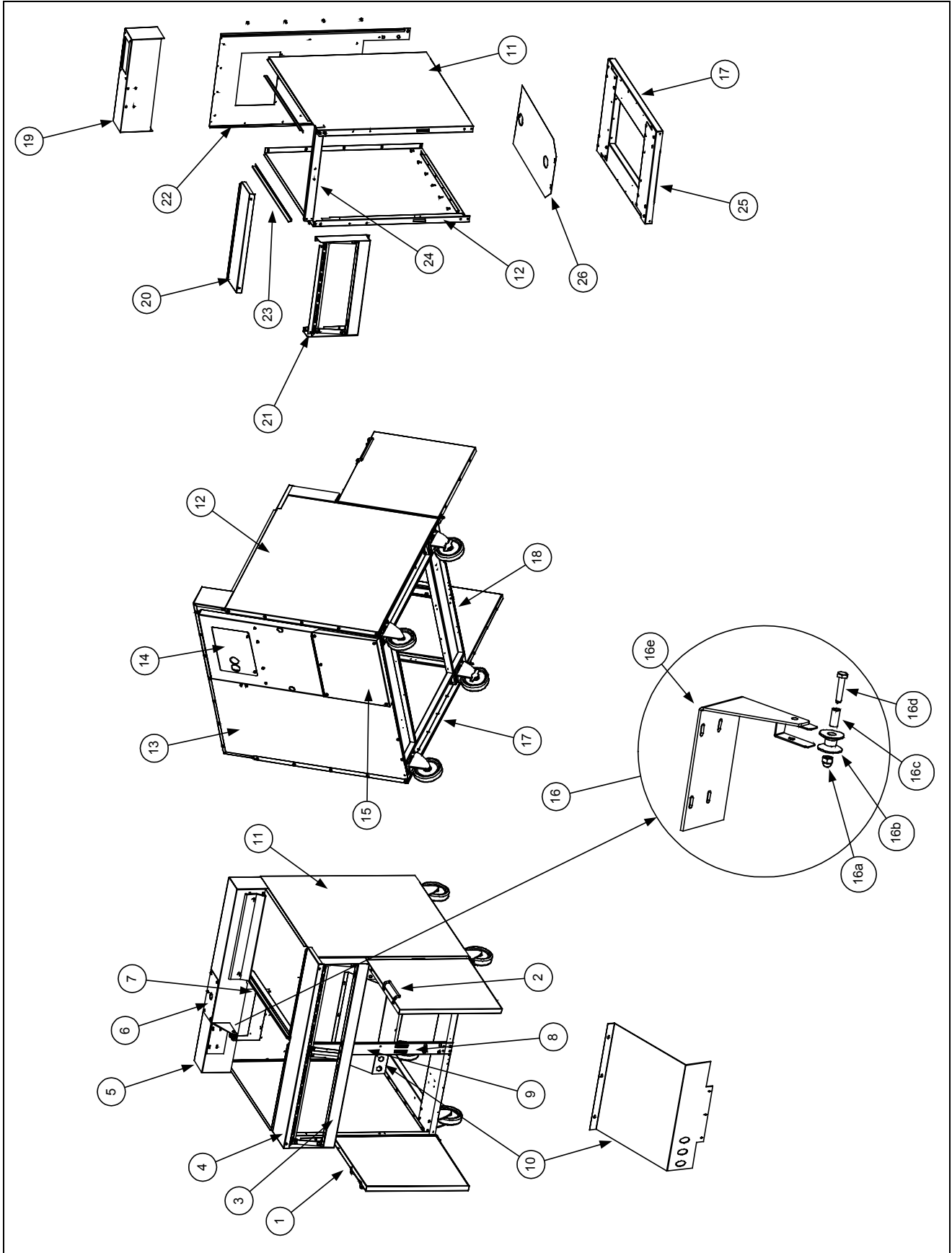
7.2 Basket Lift Components



| ITEM | PART # | COMPONENT |
|------|----------|--|
| 1 | 809-0127 | Screw, 1/4-20 x 1/2-inch Round Head |
| 2 | 810-0192 | Rod, Basket Lift |
| 3 | 823-1840 | Arm, Basket Lift |
| 4 | 900-7226 | Enclosure, Basket Lift |
| 5 | 809-0050 | Nut, 8-32 Hex Head |
| 6 | | Motor, Basket Lift |
| | 807-0107 | 120 VAC |
| | 807-0108 | 240VAC |
| 7 | 920-3095 | Mount, Basket Lift Motor |
| 8 | 809-0049 | Nut, 6-32 Hex Head |
| 9 | 812-0138 | Insulation, Paper |
| 10 | 807-0240 | Microswitch, BA-2RV22-D6 |
| 11 | 807-0124 | Bushing, Plastic |
| 12 | 809-0194 | Washer, 5/16-inch SAE Flat |
| 13 | 810-0220 | Spacer, Tubular |
| 14 | 809-0203 | Washer, 1/2-inch Nylatron |
| 15 | 809-0155 | Screw, Leveling |
| 16 | 809-0063 | Nut, 3/8-inch Jam |
| 17 | 809-0196 | Washer, 3/8-inch SAE Flat |
| 18 | 810-0052 | Bellcrank |
| * | 809-0480 | Setscrew, 1/4-28 x 5/8-inch (secures Bellcrank to motor shaft) |
| 19 | 809-0097 | Screw, 6-32 x 1-inch Slotted Truss Head |
| 20 | 809-0113 | Screw, 8-32 x 1 1/2-inch Slotted Truss Head |
| 21 | 810-0172 | Button, Plug |
| 22 | 809-0076 | Nut, 1/4-20 Expansion |
| 23 | 809-0134 | Screw, 1/4-20 x 1 1/2-inch Round Head |
| 24 | 920-3190 | Link, Basket Lift |
| 25 | 810-0170 | Pin, 1/4-inch x 5/8-inch Spring Dowel |
| 26 | 813-0035 | Bushing, Bronze |
| * | 809-0082 | Ring, Retaining (secures bronze bushing 813-0035 in place) |
| 27 | 900-4266 | Angle, Bushing Support |

* Not illustrated

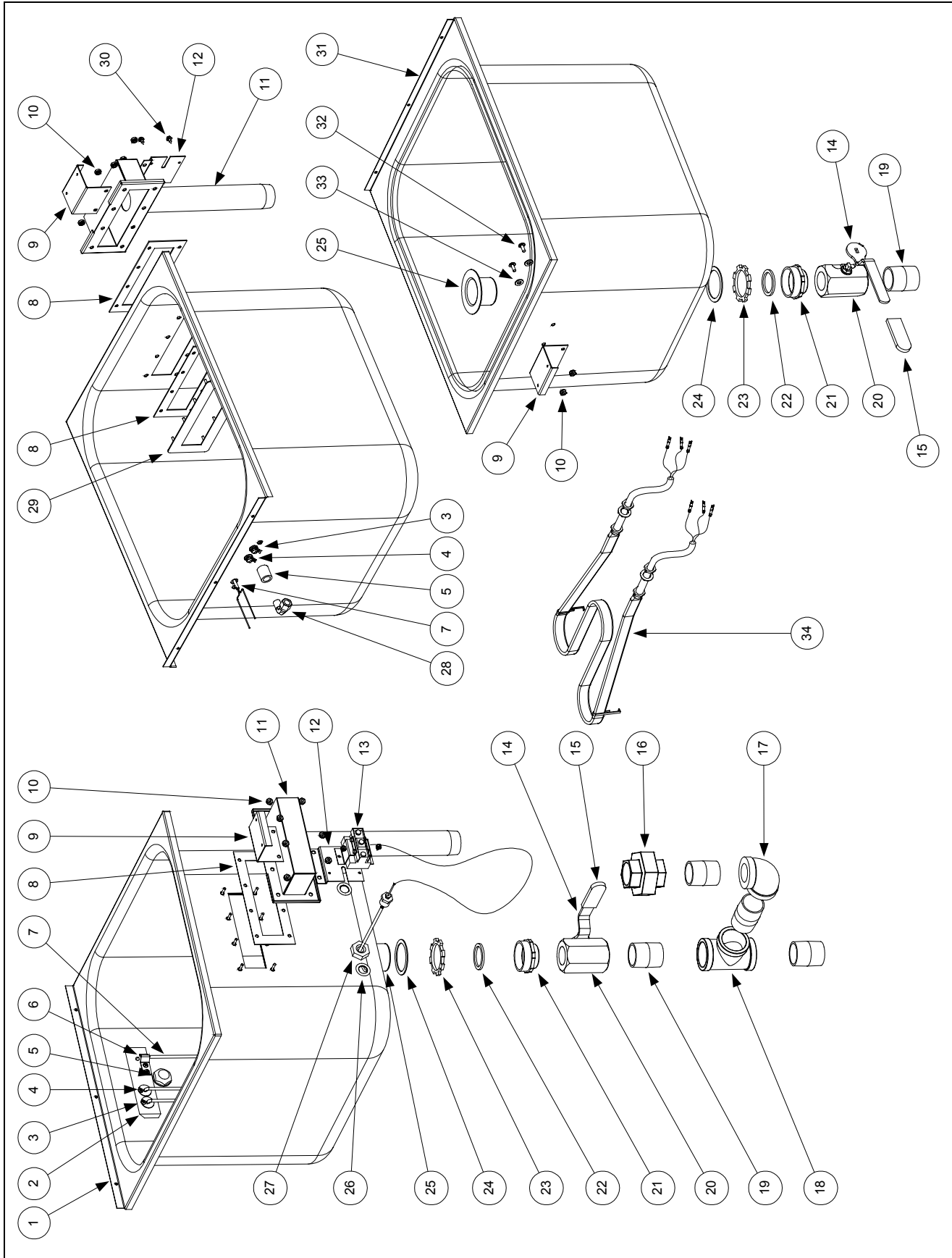
7.3 Cabinetry



| ITEM | PART # | COMPONENT |
|------|------------|---|
| 1 | 806-9744SP | Door Assembly (does not include handles) |
| 2 | 810-1402 | Handle, Wire-form Door |
| * | 809-0266 | Screw, Door Handle |
| * | 810-1508 | Hinge Bracket, Door |
| * | 806-4487SP | Pin Assembly, Door |
| * | 826-1343 | Spring, Door Pin |
| 3 | 806-4735SP | Frame Assembly, 8SMS Control Panel |
| * | 910-4308 | Blank Control Panel (used on rinse tank side of 8SMS) |
| 4 | 910-7205 | Top Cap, 8SMS |
| 5 | 823-2609 | Flue Cap, 8SMS |
| 6 | 910-0207 | Plate, Faucet Mounting (all models) |
| 7 | 900-7202SP | Divider, 8SMS Cabinet |
| 8 | 810-1105 | Magnet, Door |
| 9 | 900-7198 | Post, 8SMS Door |
| 10 | 900-4334 | Shield, 8SMS Basket Lift Motor |
| 11 | | Side, Right (all models) |
| | 902-7167SP | Painted Steel |
| | 912-7167SP | Stainless Steel |
| 12 | | Side, Left (all models) |
| | 901-7167SP | Painted Steel |
| | 911-7167SP | Stainless Steel |
| 13 | 900-7201SP | Panel, 8SMS Cabinet Back |
| 14 | 900-4766 | Panel, Basket Lift Upper Access (all models) |
| 15 | 900-4351 | Panel, Basket Lift Lower Access (all models) |
| * | 900-7199SP | Brace, 8SMS Cabinet Top |
| * | 900-1536 | Bracket, Top Half Pot Hold Down (all models) |
| * | 900-1537 | Bracket, Top Half Pot Hold Down (all models) |
| 16 | 806-5067SP | Guide Assembly, Basket Lift (all models) |
| 16a | 809-0047 | Nut, Cap |
| 16b | 810-0194 | Roller |
| 16c | 810-0374 | Spacer |
| 16d | 809-0508 | Bolt, ¼-20 x 1¼-inch |
| 16e | 823-1803 | Bracket |
| 17 | 900-7156SP | Channel, Base Side (all models) |
| 18 | 900-7200SP | Channel, 8SMS Base Front and Rear |
| * | 806-5209SP | Pad Assembly, Leg or Caster Mounting (all models) |
| 19 | 823-1714 | Flue Cap, 8BC/8C |
| 20 | 910-1514 | Top Cap, 8BC/8C |
| 21 | 806-4725SP | Frame, 8BC/8C Control Panel |
| 22 | 900-7155SP | Panel, 8BC/8C Cabinet Back |
| 23 | 900-7277 | Stiffener, Cabinet Side (all models) |
| 24 | 900-4279SP | Brace, 8BC/8C Cabinet Top |
| 25 | 900-4280SP | Channel, 8BC/8C Base Front and Rear |
| 26 | 900-7848 | Shield, 8BC/8C Vapor |

* Not illustrated

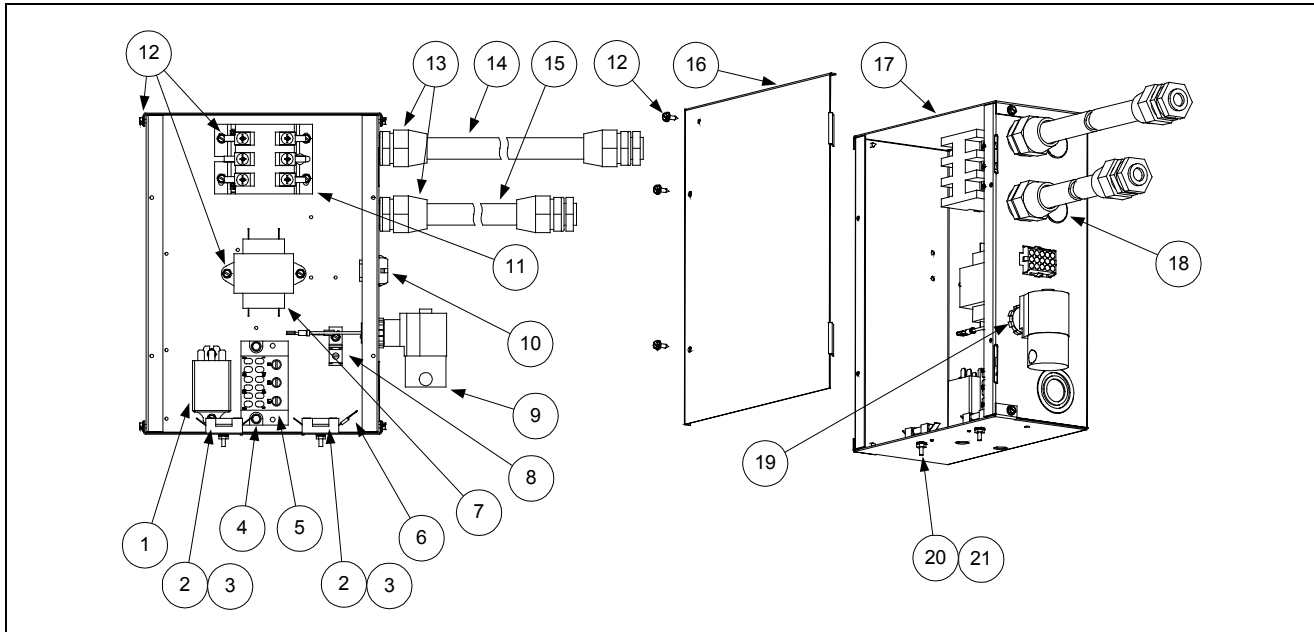
7.4 Cookpot and Rinse Tank Components



| ITEM | PART # | COMPONENT |
|------|----------|---|
| 1 | 810-0698 | Cookpot, 8SMS/8BC/8C |
| 2 | 810-1697 | Block, Probe |
| * | 826-1081 | Kit, Probe Block (old style with pins and cover) |
| * | 823-2791 | Cover, Probe Block |
| * | 823-1942 | Cover, Probe (old style with holes for pins) |
| 3 | 823-1920 | Sensor, Lower Water Level (approximately 7 inches long) |
| 4 | 823-1921 | Sensor, Upper Water Level (approximately 4¼ inches long) |
| * | 809-0193 | Washer, ¼-inch Nylon (used on water level sensors) |
| * | 807-0037 | Tab, Push-on Male (used on water level sensors) |
| 5 | 810-0713 | Nozzle, Spray |
| 6 | 910-1804 | Bracket, Temperature Probe Retaining |
| * | 809-0357 | Screw, #6 x ¾-inch (used to secure sensors and probe bracket in place) |
| 7 | 806-4764 | Temperature Probe (with connectors) |
| 8 | 816-0113 | Gasket, Overflow Drain |
| 9 | 900-1537 | Bracket, Pot Hold Down Bottom |
| 10 | 809-0256 | Nut, 10-32 Keps Hex |
| 11 | 823-1711 | Drain, Overflow |
| 12 | 900-5675 | Bracket, High-Limit Thermostat Mounting |
| 13 | 826-1601 | Thermostat, High-Limit (includes high-limit, gasket, and tie wrap) |
| * | 809-0567 | Tie Wrap, Metal (secures Hi-Limit Thermostat to Element) |
| 14 | 810-1826 | Handle, Drain Valve |
| 15 | 814-0047 | Sleeve, Red Valve Handle (with logo) |
| 16 | 813-0395 | Union, 1¼-inch NPT |
| 17 | 813-0070 | Elbow, 1¼-inch x 90° NPT |
| 18 | 813-0394 | Tee, 1¼-inch NPT |
| 19 | 813-0391 | Nipple, 1¼-inch NPT Close |
| 20 | 810-1825 | Valve, 1¼-inch NPT Drain |
| 21 | 813-0397 | Reducer, 1½-inch Sink to 1¼-inch NPT |
| 22 | 816-0221 | Washer, 1¾-inch Sink |
| 23 | 809-0464 | Nut, 1½-inch Conduit |
| 24 | 809-0465 | Washer, Sink Drain |
| 25 | 813-0396 | Drain, 1½-inch Sink (includes item 23) |
| 26 | 809-0204 | Washer, ⅝-inch Flat |
| 27 | 809-0444 | Nut, Hex Jam |
| 28 | 813-0302 | Elbow, ¼-inch NPT to ⅜-inch Tube 90° Compression |
| 29 | 823-1657 | Fascia, Overflow Drain |
| 30 | 809-0360 | Screw, #8 x ⅜-inch Hex Washer Head |
| 31 | 810-0699 | Tank, Rinse |
| 32 | 809-0270 | Screw, 10-32 x ½-inch Truss Head |
| 33 | 809-0192 | Washer, ¼-inch Lock with external teeth |
| 34 | | Element, 8kW, 1- or 3-Ø (includes mounting washer and nut and standoff) |
| | 807-1345 | 208VAC |
| | 807-1346 | 220VAC |
| | 807-2190 | 230VAC |
| | 807-3471 | 400VAC (7kW, 3-Ø Special) |
| | 807-1347 | 240VAC |
| | 807-1729 | 480VAC |

* Not illustrated

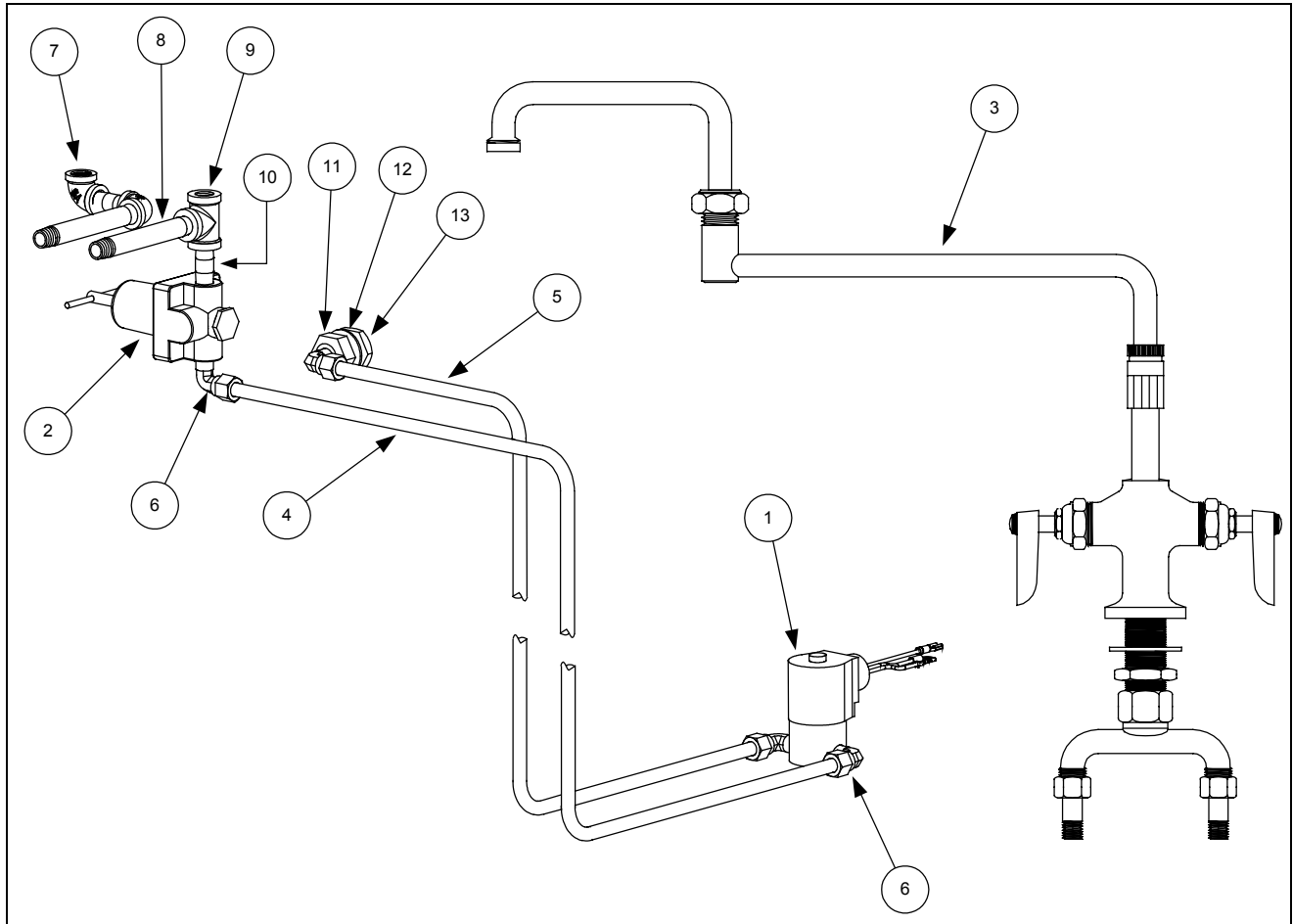
7.5 Electrical Components and Controllers



| ITEM | PART # | COMPONENT |
|------|-----------|---|
| 1 | 807-1396 | Relay, 24VDC |
| 2 | 807-1308 | Holder, Fuse |
| 3 | 807-1555 | Fuse, 5 Amp |
| 4 | 809-0362 | Screw, #8 x 1¼-inch Hex Head |
| 5 | 807-0878 | Block, Terminal |
| 6 | 807-0263 | Terminal, Split |
| 7 | 807-0680 | Transformer, 208/240VAC – 24VAC |
| 8 | 807-0070 | Terminal, Ground Lug |
| 9 | 806-4770 | Valve Assembly, Solenoid |
| 10 | 807-0875 | Connector, 15-pin Female |
| 11 | 810-1202 | Contact, 40 Amp 3 Pole |
| 12 | 809-0361 | Screw, #8 x ½-inch Hex Head |
| 13 | 807-1292 | Fitting, Plastic Conduit |
| 14 | 812-0994 | Conduit, ½-inch Plastic (17 inches long) |
| 15 | 812-0992 | Conduit, ½-inch Plastic (15 inches long) |
| 16 | 900-7853 | Cover, Component Box |
| 17 | 823-1820 | Box, Component |
| 18 | 810-0044 | Button, ⅞-inch Plug |
| 19 | 809-0454 | Nut, ½-inch Conduit |
| 20 | 809-0096 | Screw, 6-32 x ⅝-inch |
| 21 | 809-0250 | Nut, 6-32 Keps |
| * | 806-5332 | Cordset, Basket Lift (used with 480/120VAC dual-voltage units only) |
| * | WIR0013SP | Wire Assembly, 8SMS Contactor Box |
| * | 806-4702 | Cable, 8SMS Controller |
| * | | Controller, 8SMS |
| | 106-0371 | CE and non-CE with AutoFill and AutoSkim |
| | 106-0373 | CE and Non-CE with AutoFill but without AutoSkim |
| | 106-0374 | CE and Non-CE without Autofill or Autoskim |

* Not illustrated.

7.6 Water Supply Components



| ITEM | PART # | COMPONENT |
|------|----------|--|
| 1 | 806-4770 | Solenoid Assembly, Autofill |
| 2 | 810-1208 | Regulator, Water Pressure |
| 3 | 813-0412 | Faucet, Double Jointed |
| * | 826-1132 | Kit, Faucet Repair (contains two valve assemblies) |
| 4 | 900-2114 | Tube, Copper Water Supply |
| 5 | 910-2496 | Tube, Stainless Steel Autofill |
| 6 | 813-0302 | Elbow, Brass 3/8-inch Tube to 1/4-inch NPT (w/Compression Nut) |
| 7 | 813-0448 | Elbow, Brass 1/4-inch x 90° NPT |
| 8 | 813-0473 | Nipple, Brass 1/4-inch x 4-inch NPT |
| 9 | 813-0449 | Tee, Brass, 1/4-inch NPT |
| 10 | 813-0471 | Nipple, Brass 1/4-inch x 1.5-inch NPT |
| 11 | 809-0444 | Nut, 3/4-10 Hex Head Jam |
| 12 | 816-0114 | Gasket, Spray Nozzle |
| 13 | 810-0713 | Nozzle, Spray |
| * | 826-1135 | Kit, Non-Autofill to Autofill Conversion |

* Not illustrated

ELECTRIC COOKERS 8SMS, 8BC AND 8C

APPENDIX A: SERIES CODE HISTORY

| SERIES CODE | DATE EFFECTIVE | DESCRIPTION |
|----------------|-------------------|---|
| AA | 11/05/91 | Prototype or field-test unit. |
| AB | 6/22/92 | Initial production. |
| AC | 11/18/92 | Minor design changes to improve manufacturability and serviceability. All critical components interchangeable with series AB. |
| AD | 10/25/95 | Labels, wiring diagrams, and rating plate translated in conjunction with CE approval. No changes to other components. |
| AE | 5/16/97 | Added high-limit thermostat to prevent catastrophic failure of element if there is no water in cookpot. |
| AF | 11/23/98 | Redesign of probe block and cover to eliminate mounting pins. New probe block and cover are not interchangeable with old design, but new block mounts to cookpot using same holes as old block. |
| AG | 2/22/99 | Minor design changes to improve manufacturability and serviceability. All components interchangeable with series AF. |