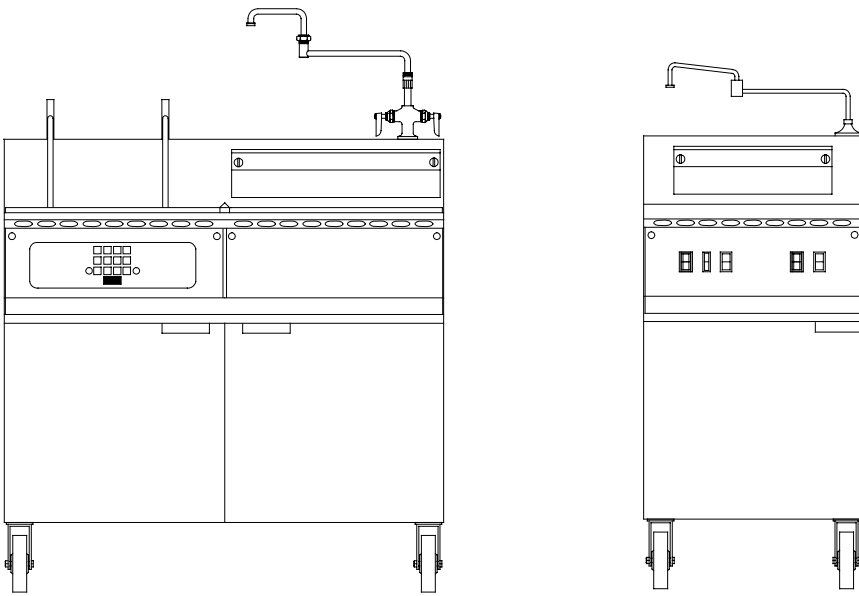


**Electric Cooker Models**  
**17EC, 17ECS, ESW and EWBS**  
Installation, Operation, Service & Parts Manual



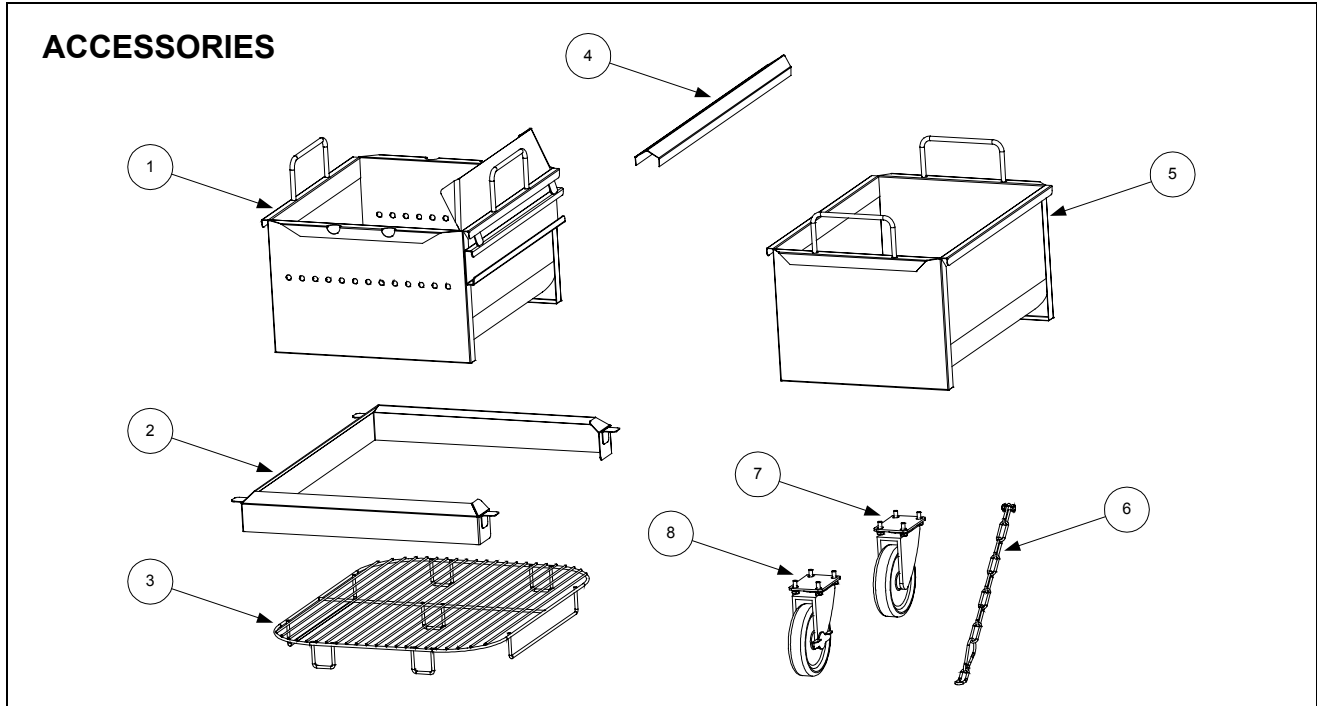
Frymaster, a member of the Commercial Food Equipment Service Association, recommends using CFESA Certified Technicians.

24-Hour Service Hotline 1-800-551-8633

\* 8195680 \*

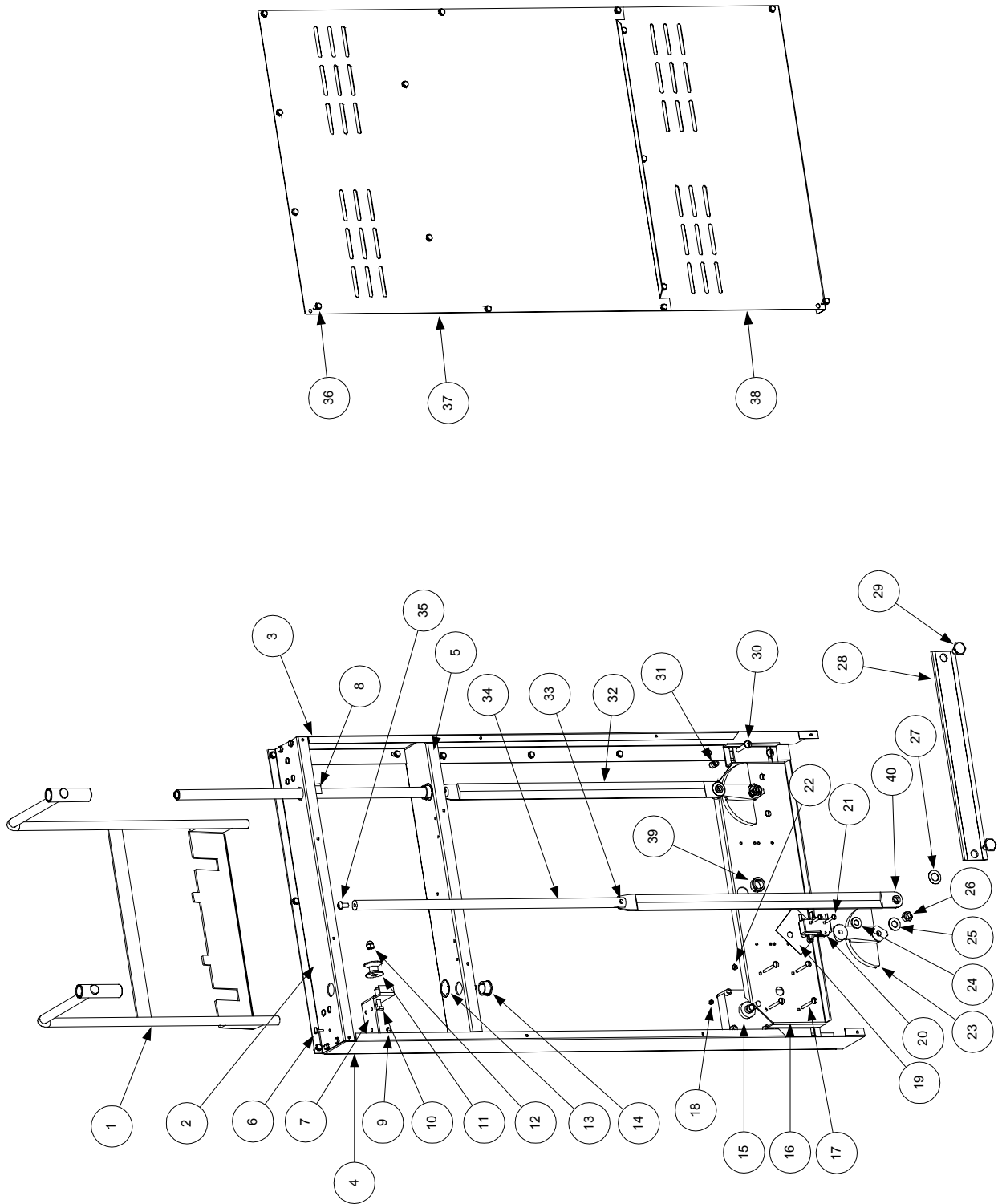
MAY 2003

6.5 Parts List



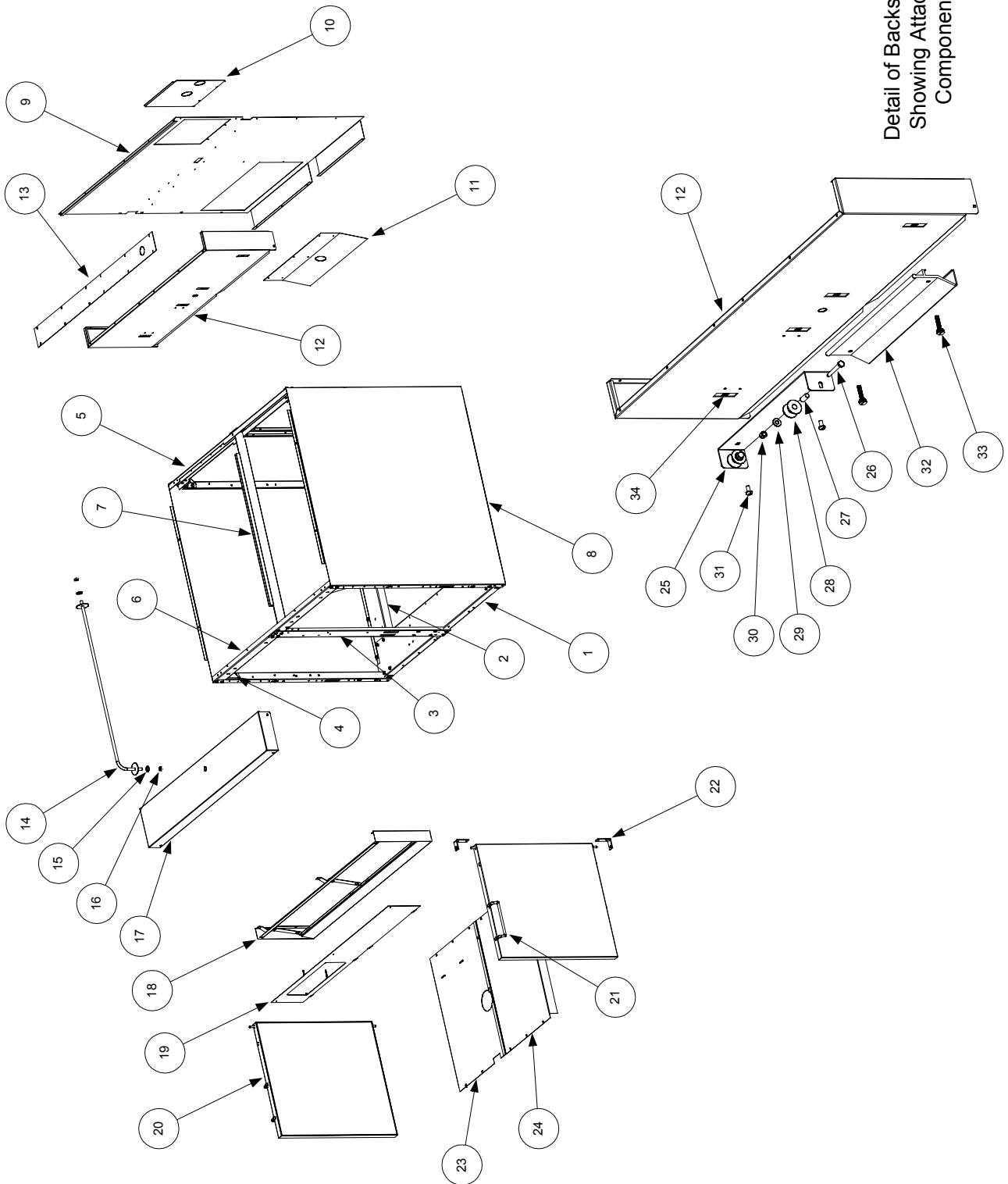
ITEM	PART #	COMPONENT
1	823-2939	Cooking Basket
2	823-2936	Starch Diverter
3	803-0268	Basket Support Rack
*	210-5068	Pan Insert
4	910-7540	Cookpot/Rinse Tank Top Connecting Strip
5	823-2938	Rinse Basket
6	826-0900	Chain Restraint Kit
7	826-1117	Caster without Brake, 5-Inch (includes mounting hardware)
8	826-1118	Caster with Brake, 5-Inch (includes mounting hardware)

### BASKET LIFT COMPONENTS



ITEM	PART #	COMPONENT
1	823-2007	Arms, Basket Lift
2	910-7420	Top, Basket Lift Enclosure
3	911-7417	Side, Basket Lift Enclosure Right
4	912-7417	Side, Basket Lift Enclosure Left
5	900-7421	Support, Basket Lift Rod Bushing
6	826-1363	Screw, 8-32 x 1/2-inch Slotted Truss Head (Pkg of 25)
7	902-1927	Bracket, Left Basket Lift Roller
8	901-1927	Bracket, Right Basket Lift Roller
9	809-0247	Nut, 8-32 Hex Keps
10	809-0508	Bolt, 1/4 -20 x 1 1/4-inch Hex Head SS
11	810-0194	Roller, Basket Lift
12	809-0047	Nut, 1/4-20 SS Hex Cap
13	809-0082	Ring, 3/4-inch Truarc
14	810-0045	Bushing, Basket Lift Rod
15	807-0108	Motor, 240VAC Basket Lift
16	900-7416	Mount, Basket Lift Motor
17	809-0113	Screw, 8-32 x 1 1/2-inch Slotted Truss Head
18	809-0050	Nut, 8-32 Hex
19	812-0138	Insulation, Motor Mount (Fishpaper)
20	807-0240	Microswitch
21	809-0097	Screw, 6-32 x 1-inch Slotted Truss Head
22	826-1358	Nut, 6-32 Hex (Pkg of 25)
23	810-0052	Cam (Bellcrank), Basket Lift
24	809-0194	Washer, 5/16-inch SAE Flat
25	809-0196	Washer, 3/8-inch SAE Flat
26	809-0063	Nut, Jam 3/8-16 Hex
27	826-1381	Washer, 1/2-inch ID x 7/8-inch OD Nylatron Flat (Pkg of 10)
28	910-4525	Bar (Link), Basket Lift Synchronizing
29	809-0155	Screw, 5/16-18 x 5/8-inch Leveling
30	826-1370	Screw, 1/4-20 x 1 1/4-inch Slotted Round Head (Pkg of 10)
31	809-0076	Nut, 1/4-20 x 3/4-inch Expansion
32	920-6076	Link, Basket Lift
33	810-0170	Pin, 1/4-inch x 5/8-inch Spring Dowel
34	810-0192	Rod, 19 5/8-inch Basket Lift
35	809-0127	Screw, 1/4-20 x 1/2-inch Slotted Round Head
36	809-0719	Screw, #10 x 1/2-inch 410SS
37	900-7418	Panel, Upper Basket Lift Rear
38	900-7419	Panel, Lower Basket Lift Rear
39	807-0124	Bushing, Heyco
40	810-0220	Spacer, Tubular, .493-inch OD

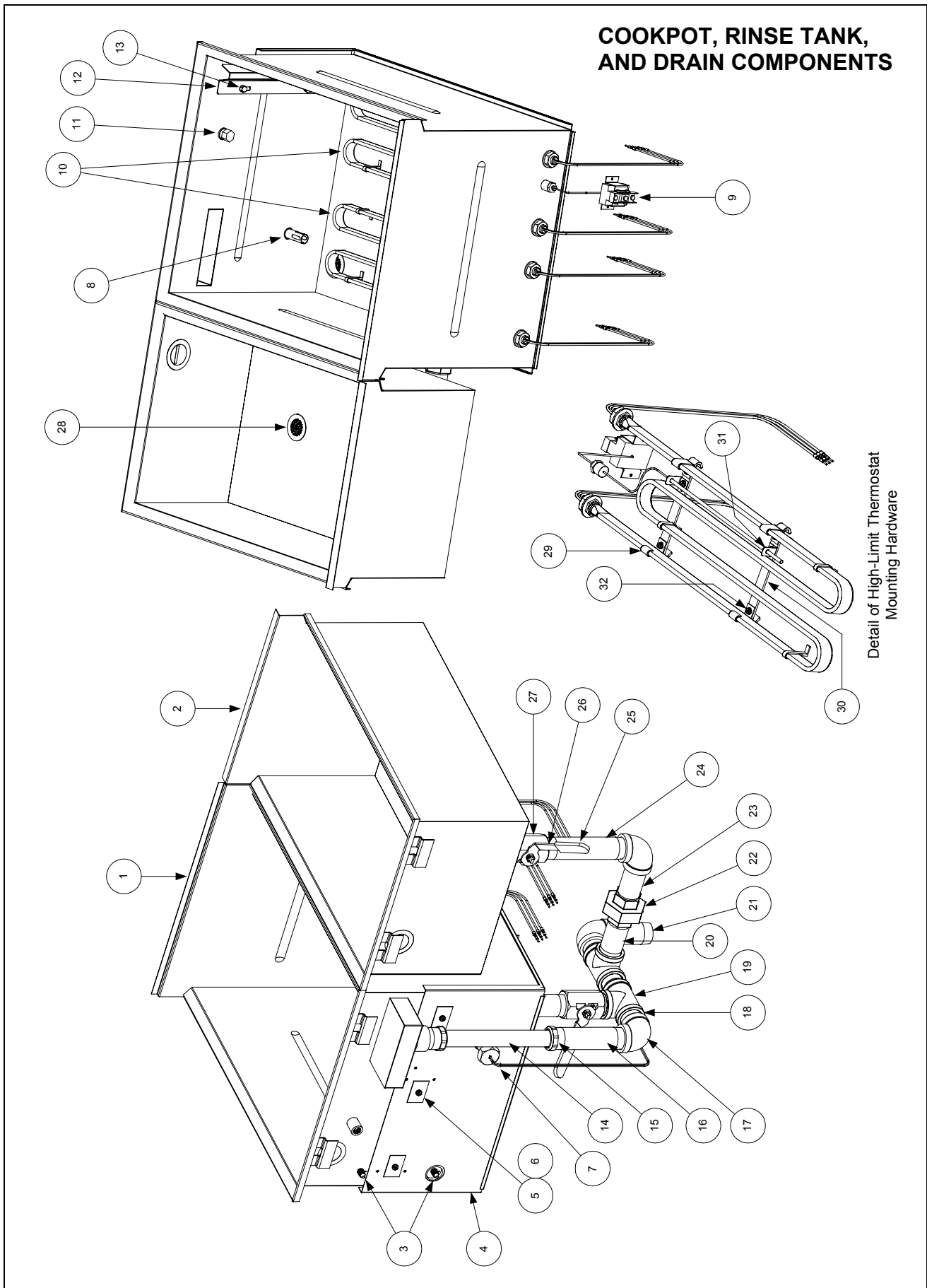
# CABINETRY



Detail of Backsplash  
Showing Attached  
Components

ITEM	PART #	COMPONENT
1	210-0815	Channel, Front or Rear Base
*	806-5209	Leg Pad Assembly (on bottom of Item 1, for mounting casters)
2	210-0816	Channel, Side Base
3	900-7198	Post, Door
4	900-1552	Gusset (Corner Brace)
5	900-7389	Brace, Top Rear
6	900-7390	Brace, Top Front
7	900-7391	Divider, Cabinet
8		Side, Left or Right Cabinet
	910-7377	Stainless Steel
	900-7377	Cold Rolled Steel (Painted)
9	900-7422	Back, Cabinet
*	826-1374	Screw, #10 x 1/2-inch Hex Washer Head (large cabinet screw) (Pkg of 25)
10	900-1750	Panel, Plumbing Access
*	826-1371	Screw, #8 x 1/2-inch Hex Head (access panel screw)
11	900-4645	Shield, Heat
12	210-0007	Backsplash
13	210-0215	Plate, Faucet Mounting
*	809-0740	Screw, #10 x 1/2-inch Phillips Truss Head (faucet plate and topcap screw)
14	810-1838	Rod, Basket Pivot
15	809-0200	Washer, 1/2-inch Flat
16	809-0063	Nut, 3/8-16 Jam
17	824-0801	Topcap
18	806-5487	Frame, Control Panel
19	823-2946	Panel, Control
20	806-9744	Door Assembly, Left or Right (does not include handle or hinges)
21	810-1402	Handle, Wire Form Door
*	809-0266	Screw, #10 x 1/2-inch Phillips Truss Head (door panel and handle screw)
22	810-1508	Hinge, Universal Door
23	210-0817	Shield, Left Moisture
24	210-0818	Shield, Right Moisture
25	910-4831	Bracket, Basket Lift Roller
26	809-0508	Bolt, 1/4-20 x 1 1/4-inch Hex Head
27	810-0374	Spacer, Basket Lift Roller Tubular
28	810-0194	Roller, Basket Lift
29	809-0190	Washer, 1/4-inch SS Flat
30	809-0047	Nut, 1/4-20 Hex Head Cap
31	809-0127	Screw, 1/4-20 x 1/2-inch Slotted Round Head
32	803-0028	Hanger, Basket (for wire-form hanger use 810-2229)
33	809-0171	Thumbscrew, Basket Hanger
34	826-1351	Retainer, 1/4-20 Nut (Nutsert) (Pkg of 10)

\* Not illustrated.

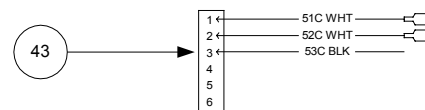
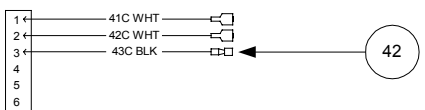
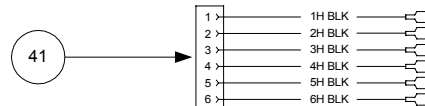
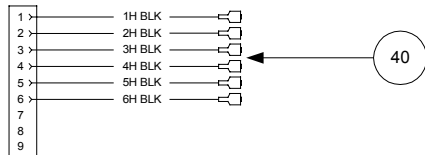
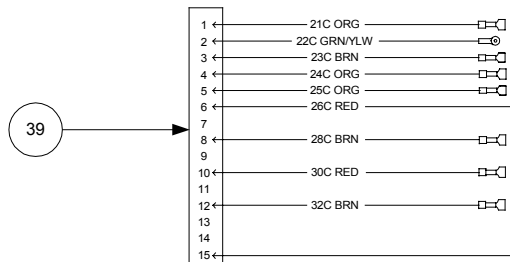
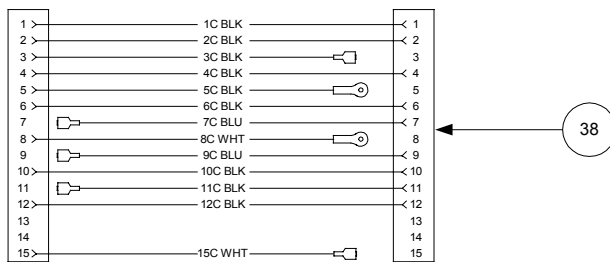
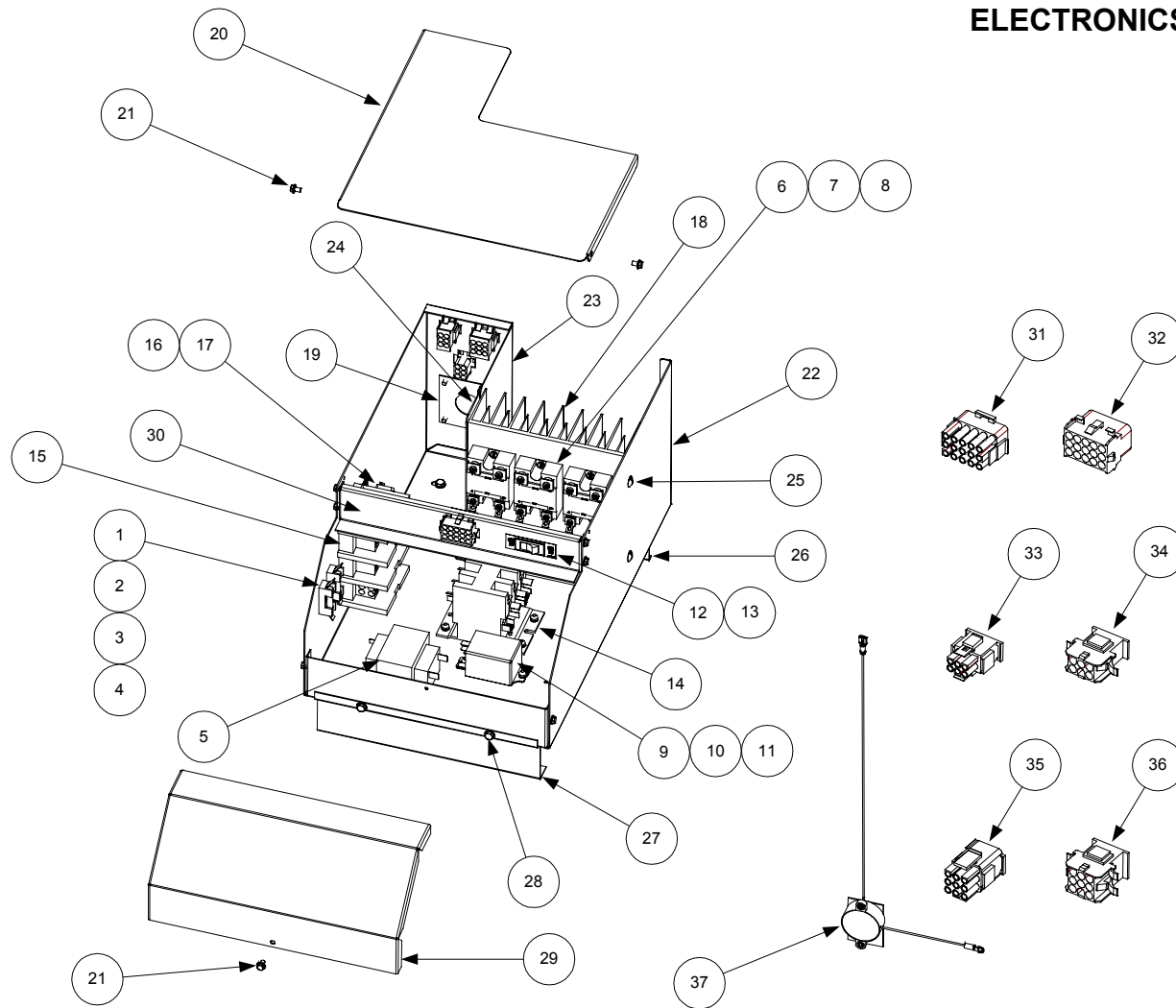


ITEM	PART #	COMPONENT
1	823-2937SP	Cookpot Assembly (for 17EMCS (McDonald's), use 823-3827SP)
2	823-1994SP	Rinse Tank Assembly
3	806-7552SP	Water Level Sensor Assembly
4	900-5045	Retainer, Cookpot Front Insulation
*	816-0152	Insulation, Cookpot Front (behind Item 4)
5	900-1762	Retainer, Insulation
6	826-1376	Nut, 10-32 Hex Head Keps (Pkg of 10)
7	807-3333	Probe, Temperature
8	210-0681	Guard, Temperature Probe
9	807-2466	Thermostat, High-Limit
10	807-3814	Element, 208V 8.625kW (for 230V, use 807-3815; for 240V, use 807-3816)
11	810-0976	Nozzle
12	N/A	Guard, Water Level Sensor (part discontinued; no longer used)
13	809-0047	Nut, 1/4-20 Cap (secures Item 12 on units built before February 2001)
14	813-0451	Nipple, 1 1/4-inch NPT x 12-inch Chromed Brass
15	813-0453	Nut, 1 1/4-inch NPT Chromed Stainless Steel Slip
16	813-0148	Nipple, 1 1/4-inch NPT x 6 1/4-inch NPT
17	813-0070	Elbow, 1 1/4-inch NPT 90°
18	813-0400	Nipple, 1 1/4-inch NPT x 2-inch
*	813-0391	Nipple, 1 1/4-inch NPT Close (connects cookpot drain valve and Item 19)
19	813-0394	Tee, 1 1/4-inch NPT
20	813-0146	Nipple, 1 1/4-inch NPT x 4 1/4-inch
21	813-0518	Nipple, 1 1/4-inch NPT x 4-inch
22	813-0395	Union, 1 1/4-inch NPT
23	813-0144	Nipple, 1 1/4-inch NPT x 3 3/4-inch
24	813-0554	Nipple, 1 1/4-inch NPT x 7-inch
25	814-0047	Sleeve, Red Drain Valve Handle
26	910-9527	Handle, Drain Valve
27	810-1825	Valve, 1 1/4-inch NPT Drain
28	823-2022	Strainer
29	910-2042	Clamp, Element
30	910-5214	Support, Element
31	910-2097	Bracket, High-Limit
32	809-0769	Screw, #8 X 3/8-inch S/S Hex Washer Slot Head
*	809-0204	Washer, Teflon (fits between Item 10 and inside face of Cookpot)
*	809-0063	Nut, 3/8-16 Jam (secures Drain Valve Handle to Drain Valve)

\* Not illustrated.

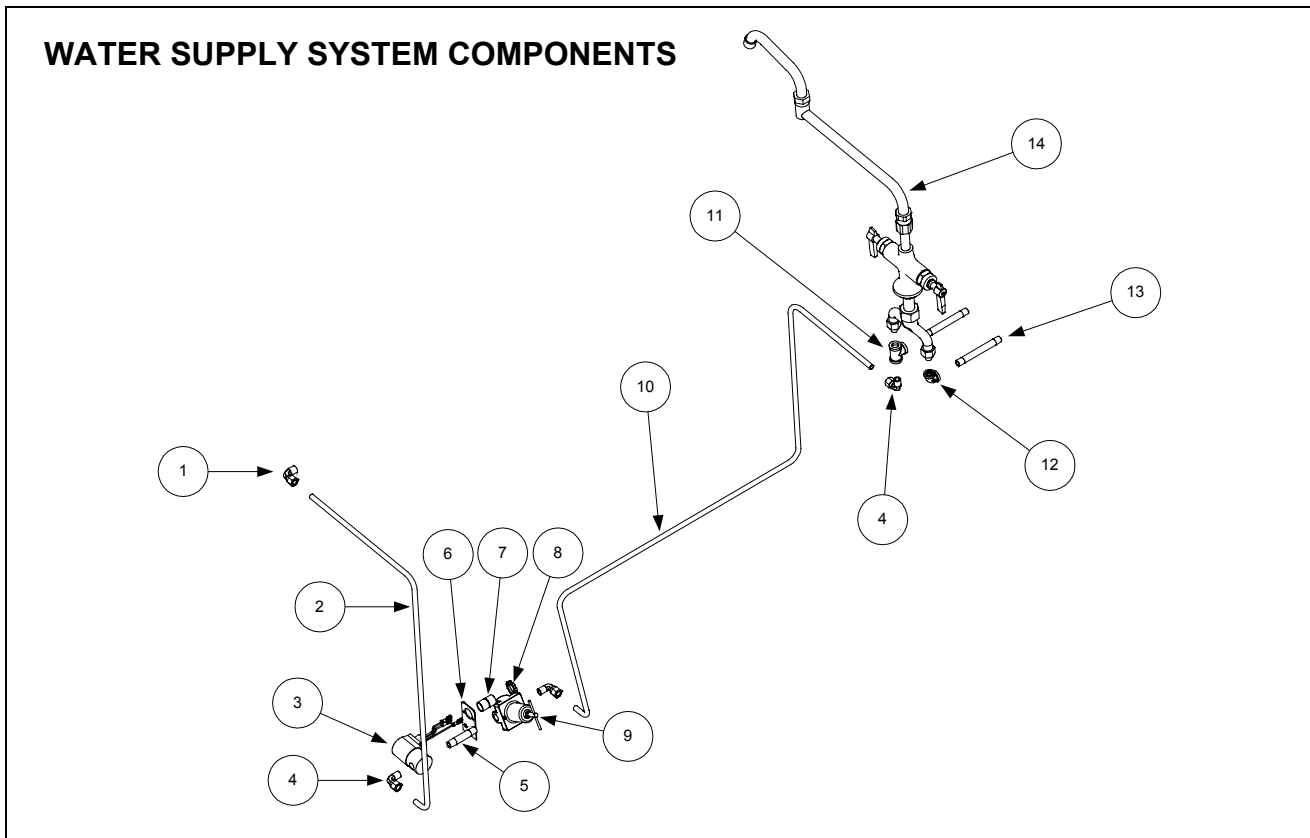


**ELECTRONICS**



ITEM	PART #	COMPONENT
*	106-0385	Computer, 17ECS
*	824-0856	Starch Shield (mounts to back of control panel to protect computer)
1	807-1555	Fuse, 5 Amp
2	807-1308	Holder, Fuse
3	809-0328	Screw, 4-40 x ¼-inch Slotted Pan Head
4	809-0237	Nut, 4-40 Hex Head Keps
5	807-0680	Transformer, 208-240VAC/24VAC 50/60Hz 43VA
6	807-3996	Relay, 75 Amp 280V SPST-NO Solid State
*	815-0554	Compound, Heatsink (GC Thorsen 10-8109)
7	807-0037	Tab, Faston 6.35 (.250) Series
8	809-0096	Screw, 6-32 x ⅝-inch Binding Slotted Head
9	807-1396	Relay, 24VDC SPDT
10	809-0102	Screw, 8-32 x ⅜-inch Slotted Truss Head
11	809-0247	Nut, 8-32 Hex Head Keps
12	807-2082	Switch, Non-Illuminated Rocker
13	802-1793A	Label, ON/OFF
14	810-1202	Contactor, 3 Pole 600VAC 40 Amp
15	807-2464	Block, Delta Power
16	807-0070	Terminal, Ground Lug
17	802-0742B	Label, Ground
18	807-2749	Heatsink
19	900-2752	Plate, Cordset
20	900-5895	Top, Triac Contactor Box
21	809-0359	Screw, #8 x ¼-inch Slotted Hex Washer Head
22	200-0008	Box, Triac Contactor
23	900-5785	Rear, Triac Contactor Box
24	900-8239	Rear, Split Triac Contactor Box
25	809-0117	Screw, 10-32 x ⅜-inch Slotted Truss Head
26	200-0180	Brace, Contactor Box Rear
27	200-0181	Brace, Contactor Box Front
28	826-1374	Screw, #10 x ½-inch Hex Head
29	900-5445	Cover, Contactor Box Front
30	200-0001	Bracket, Connector
31	807-0804	Connector, 15-pin Male
32	807-0875	Connector, 15-pin Female (Panel Mount)
33	807-2135	Connector, 6-pin High-Amp Male
34	807-2136	Connector, 6-pin High-Amp Female
35	807-2137	Connector, 9-pin High-Amp Male
36	807-2138	Connector, 9-pin High-Amp Female
37	806-3660	Sound Device, High-Output
38	106-0144	Harness, Computer to Contactor Box 15-pin Wiring
39	106-0158	Harness, Contactor Box Internal 15-pin Wiring
40	106-0157	Harness, Element to Contactor 9-pin Wiring
41	106-0156	Harness, Element to Contactor 6-pin Wiring
42	106-0159	Harness, Basket Lift Relay 6-pin Wiring
43	106-0160	Harness, Basket Lift to Contactor Box 6-pin Wiring

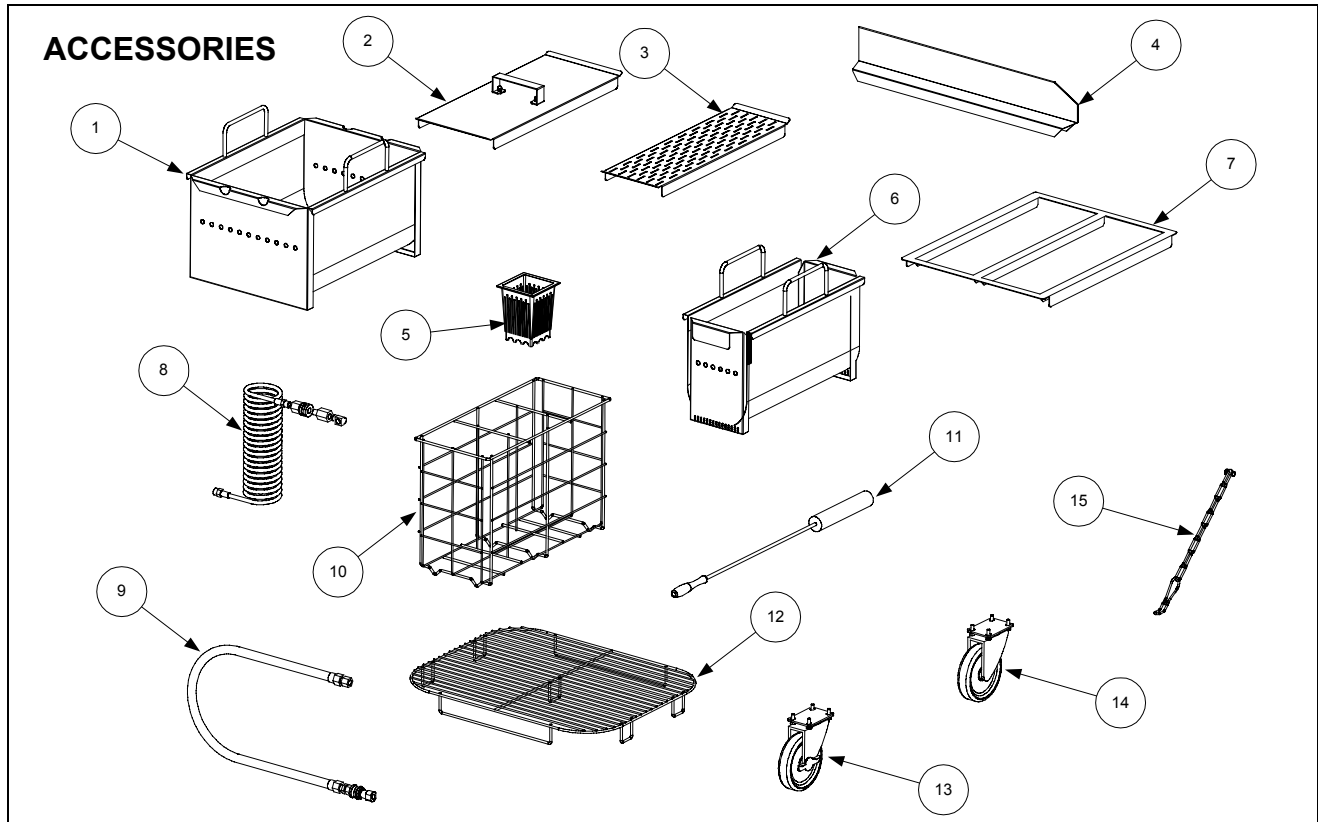
\* Not illustrated.



ITEM	PART #	COMPONENT
1	810-0907	Elbow, 3/8-inch NPT Compression
2	910-2513	Tubing, Solenoid Valve to Cookpot 3/8-inch Stainless Steel
3	806-5565	Valve Assembly, 24VAC 60Hz Solenoid
4	813-0302	Elbow, 3/8-inch Tube to 1/4-inch NPT 90° Brass Male
5	813-0472	Nipple, 1/4-inch NPT x 2.5-inch Brass
6	900-1905	Mount, Solenoid Valve
7	813-0022	Nipple, 1/2-inch NPT x Close
8	809-0454	Nut, 1/2-inch Conduit
9	810-1208	Valve, Pressure Regulator
10	900-1898	Tube, 3/8-inch Water Line
11	813-0449	Tee, 1/4-inch NPT Brass
12	813-0448	Elbow, 1/4-inch NPT 90° Brass
13	813-0473	Nipple, 1/4-inch NPT x 4-inch Brass
14	813-0412	Faucet, Double Jointed Pantry
*	826-1132	Kit, Faucet Repair (contains two valve assemblies)

\* Not illustrated.

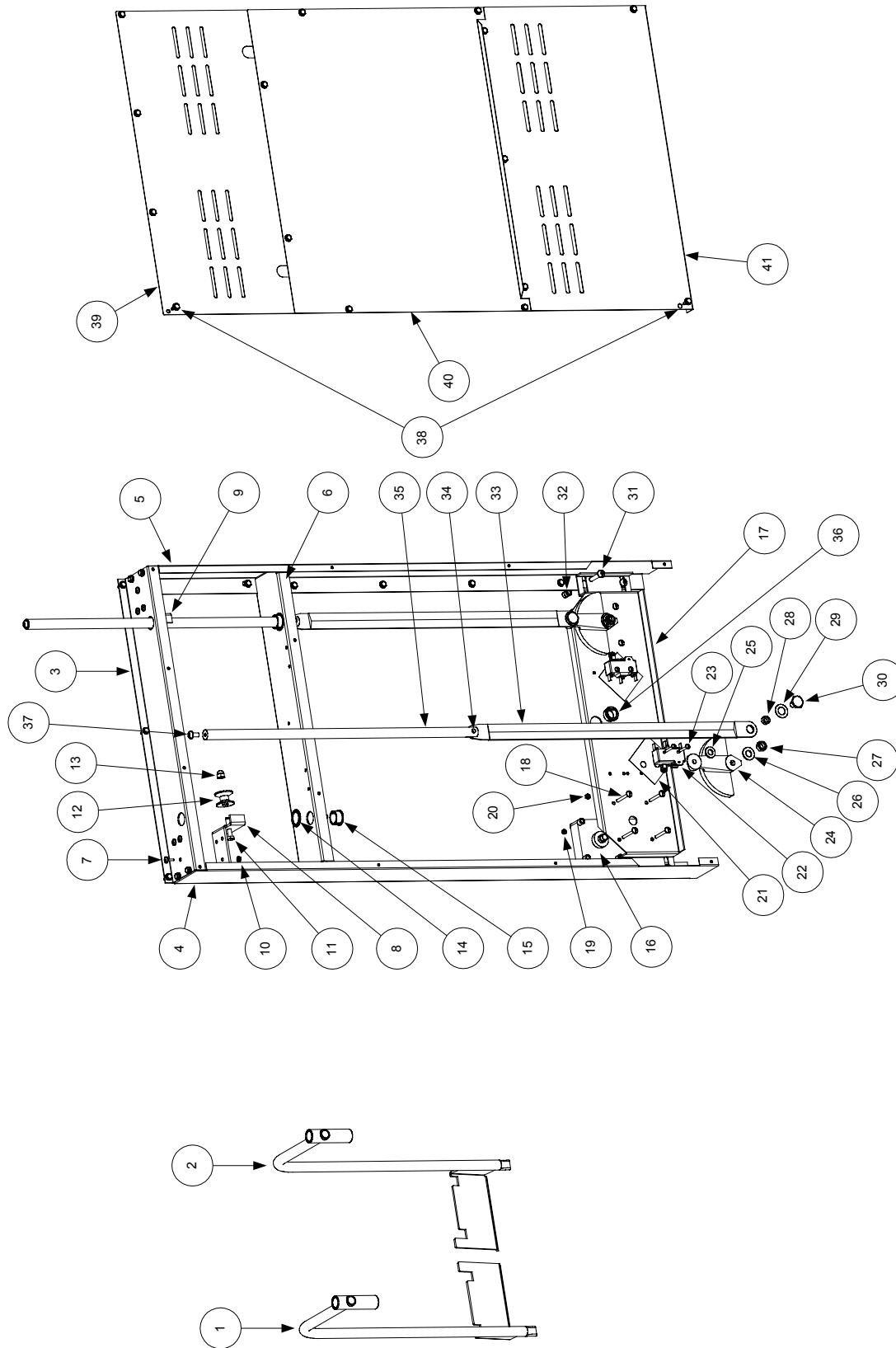
7.5 Parts List



ITEM	PART #	COMPONENT
1	823-1910	Basket, Bulk Cooking, Full Size (cannot be used with basket lifts)
2	806-7569	Cover
3	910-2545	Strainer Board
4	824-0587	Cookpot Top Connecting Strip (used on double units only)
5		Cup, Single Portion
	803-0018	Beige
	803-0260	White
6	823-2754	Basket, Bulk Cooking, Half Size (for use with basket lifts)
7	910-2766	Pan Insert
8	810-1008	Hose, Water Supply, with Quick Disconnect Fittings (Swirl)
9	810-1463	Hose, Water Supply, with Quick Disconnect Fittings
10	803-0155	Basket, Sauce Packet
11	803-0234	Brush, Probe Cleaning
12	803-0233	Rack, Basket Support
13	826-1117	Caster without Brake, 5-Inch (includes mounting hardware)
14	826-1118	Caster with Brake, 5-Inch (includes mounting hardware)
15	826-0900	Chain Restraint Kit
*	803-0259	Rack, 4 Portion Cups (for use with basket lifts)
*	803-0218	Rack, 9 Portion Cups (cannot be used with basket lifts)

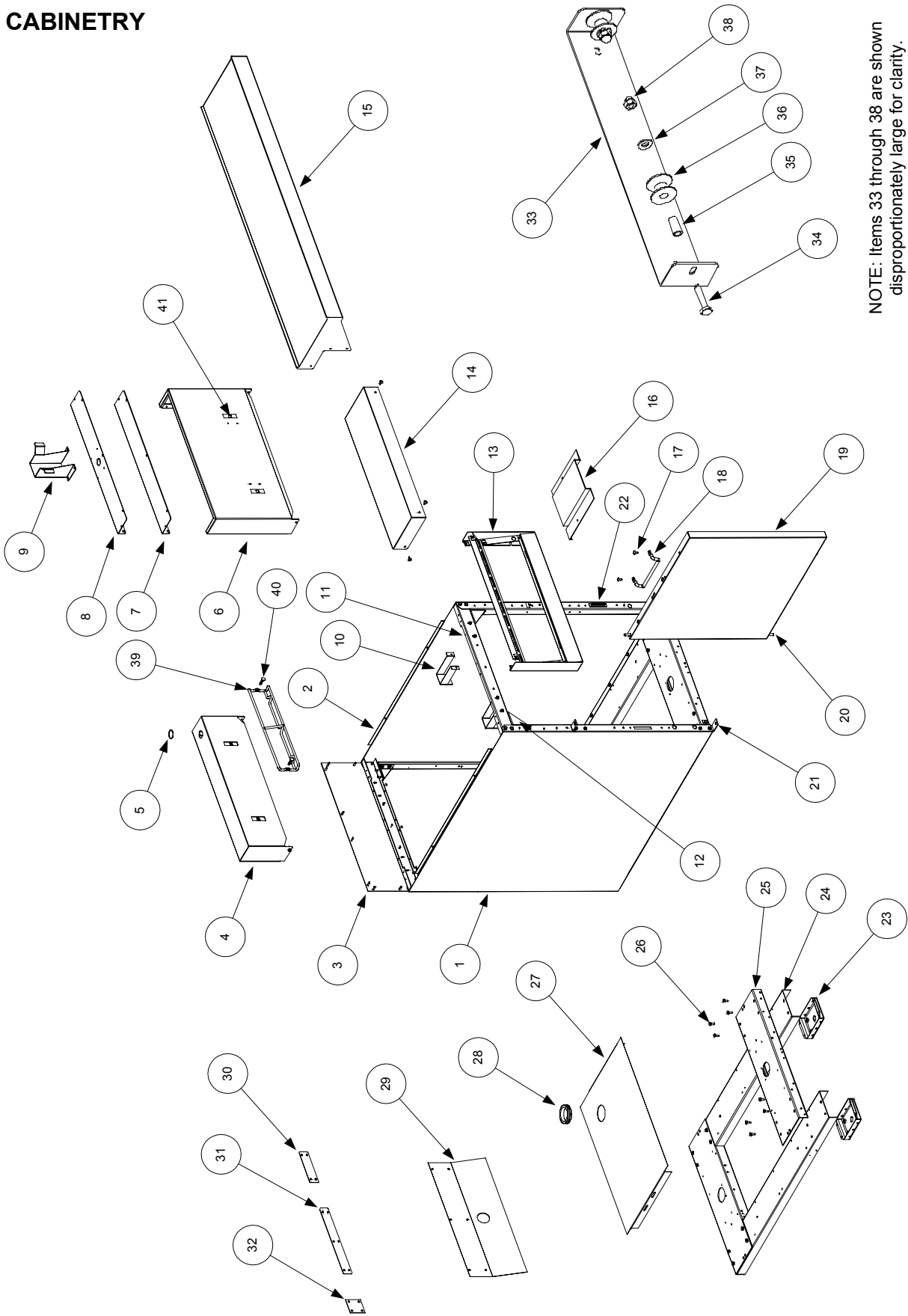
\* Not illustrated.

### BASKET LIFT COMPONENTS



ITEM	PART #	COMPONENT
1	823-2753	Arm, Right Basket Lift (as viewed from front of unit)
2	823-2752	Arm, Left Basket Lift (as viewed from front of unit)
3	910-7420	Top, Basket Lift Enclosure
4	911-7417	Side, Basket Lift Enclosure Right
5	912-7417	Side, Basket Lift Enclosure Left
6	900-7421	Support, Basket Lift Rod Bushing
7	826-1363	Screw, 8-32 x ½-inch Slotted Truss Head (Pkg of 25)
8	902-1927	Bracket, Left Basket Lift Roller
9	901-1927	Bracket, Right Basket Lift Roller
10	809-0247	Nut, 8-32 Hex Keps
11	809-0508	Bolt, ¼ -20 x 1 ¼-inch Hex Head SS
12	810-0194	Roller, Basket Lift
13	809-0047	Nut, ¼-20 SS Hex Cap
14	809-0082	Ring, ¾-inch Truarc
15	810-0045	Bushing, Basket Lift Rod
16	807-0108	Motor, 240VAC Basket Lift
17	900-7416	Mount, Basket Lift Motor
18	809-0113	Screw, 8-32 x 1 ½-inch Slotted Truss Head
19	809-0050	Nut, 8-32 Hex
20	826-1358	Nut, 6-32 Hex (Pkg of 25)
21	812-0138	Insulation, Motor Mount (Fishpaper)
22	807-0240	Microswitch
23	809-0097	Screw, 6-32 x 1-inch Slotted Truss Head
24	810-0052	Cam (Bellcrank), Basket Lift
25	809-0194	Washer, 5/16-inch SAE Flat
26	809-0196	Washer, ⅜-inch SAE Flat
27	809-0063	Nut, Jam 3/8-16 Hex
28	810-0220	Spacer, Tubular, .493-inch OD
29	809-0203	Washer, ½-inch ID x ⅞-inch OD Nylatron Flat (Pkg of 10)
30	809-0155	Screw, 5/16-18 x ⅝-inch Leveling
31	826-1370	Screw, ¼-20 x 1 ¼-inch Slotted Round Head (Pkg of 10)
32	809-0076	Nut, ¼-20 x ¾-inch Expansion
33	920-6076	Link, Basket Lift
34	810-0170	Pin, ¼-inch x ⅝-inch Spring Dowel
35	810-0192	Rod, 19 ⅝-inch Basket Lift
36	807-0124	Bushing, Heyco
37	809-0127	Screw, ¼-20 x ½-inch Slotted Round Head
38	809-0719	Screw, #10 x ½-inch 410SS
39	900-8063	Panel, Upper Basket Lift Rear
40	900-7995	Panel, Middle Basket Lift Rear
41	900-7419	Panel, Lower Basket Lift Rear

# CABINETRY

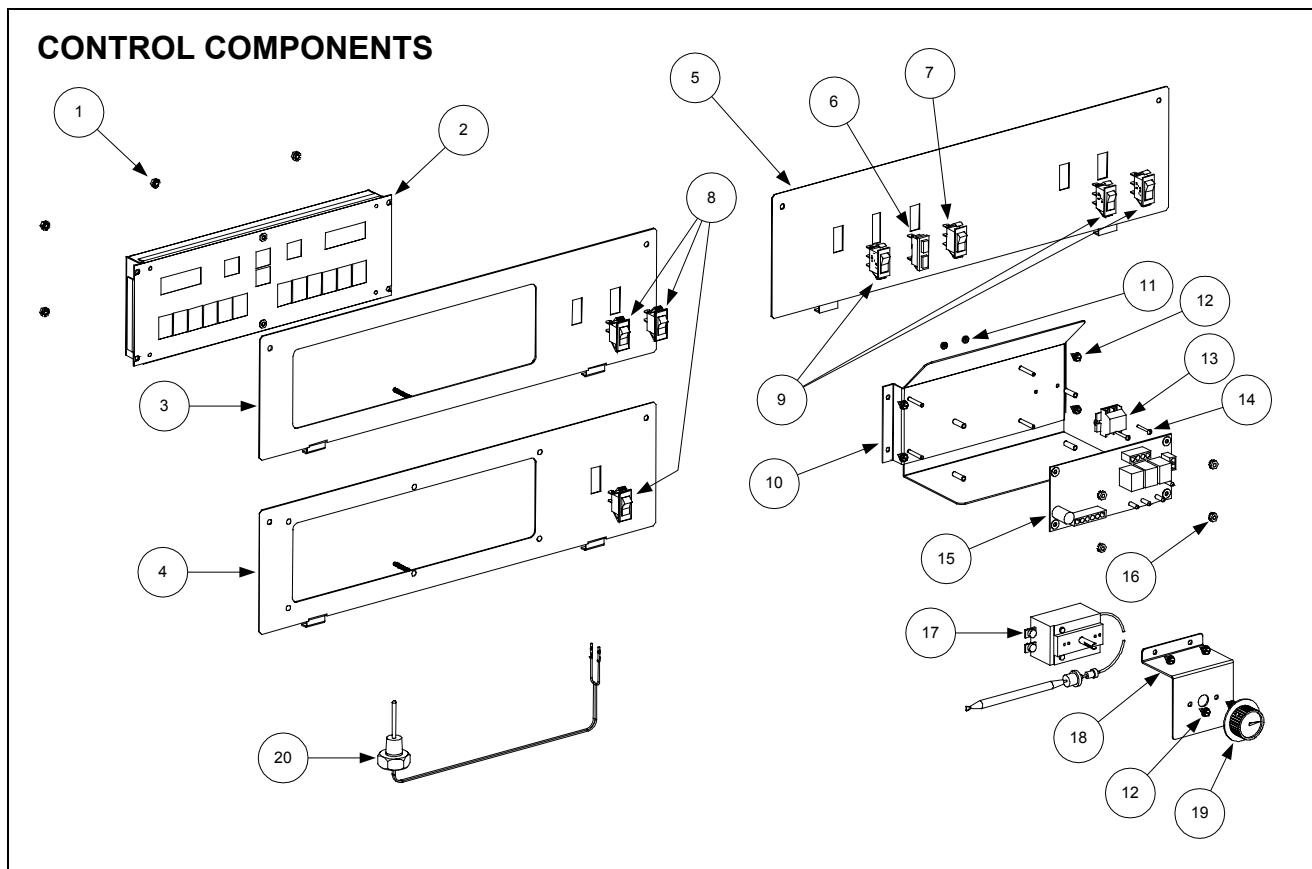


NOTE: Items 33 through 38 are shown disproportionately large for clarity.

ITEM	PART #	COMPONENT
1		Side, Left or Right Cabinet
	910-7377	Stainless Steel
	900-7377	Cold Rolled Steel (Painted)
2	910-2914	Side, Double Unit Inner Cabinet
3	900-5023	Back, Cabinet
4	824-0633	Backsplash (units without basket lifts)
5	810-0044	Plug, 7/8-inch (used on units without basket lifts or faucets)
6	823-2105	Backsplash (used on units with basket lifts)
7	910-8355	Cover, Backsplash Top (used on basket lift units without faucet)
8	910-8060	Cover, Backsplash Top (used on basket lift units with faucet)
9	910-8058	Restrictor, Faucet Rotation (used on basket lift units with faucet)
10	900-1759	Bracket, Pot Hold Down
11	900-4654	Brace, Top
12	900-1552	Gusset (Corner Brace)
13	806-5260	Frame, Control Panel
14	910-7541	Topcap
15	823-2351	Topcap, Plate-Width (used on double units only)
16	900-2762	Support, Plate-Width Topcap
17	809-0266	Screw, #10 x 1/2-inch Phillips Truss Head (door panel and handle screw)
18	810-1402	Handle, Wire Form Door
19	806-3853	Door Assembly, Left or Right (does not include handle or hinges)
20	806-4487	Door Pin Assembly
21	810-1508	Hinge, Universal Door
*	826-1343	Spring, Door Hinge (Pkg of 10)
22	810-1105	Magnet, Door
23	806-5209	Leg Pad Assembly
24	900-7528	Channel, Left or Right Side Base
25	900-4655	Channel, Front or Rear Base
26	826-1374	Screw, #10 x 1/2-inch Washer Hex Head (Pkg of 25)
27	900-8273	Moisture Shield
28	816-0091	Grommet, 1 1/4-inch Drain
29	900-4645	Shield, Heat
30	910-5137	Plate, Battering (4.7-inch x 1.2-inch with 4 holes)
31	910-3122	Plate, Battering (10-inch x 1.2-inch with 6 holes)
32	910-0404	Plate, Battering (2-inch x 2-inch with 4 holes)
33	910-4831	Bracket, Basket Lift Roller
*	809-0127	Screw, 1/4-20 x 1/2-inch Slotted Round Head (for mounting Item 33)
34	809-0508	Bolt, 1/4-20 x 1 1/4-inch Hex Head
35	810-0374	Spacer, Basket Lift Roller Tubular
36	810-0194	Roller, Basket Lift
37	809-0190	Washer, 1/4-inch SS Flat
38	809-0047	Nut, 1/4-20 Hex Head Cap
39	810-2229	Hanger, Basket (replaced extruded aluminum hanger 803-0028, which is no longer available.)
40	809-0171	Thumbscrew, Basket Hanger
41	826-1351	Retainer, 1/4-20 Nut (Nutsert) (Pkg of 10)

\* Not illustrated.

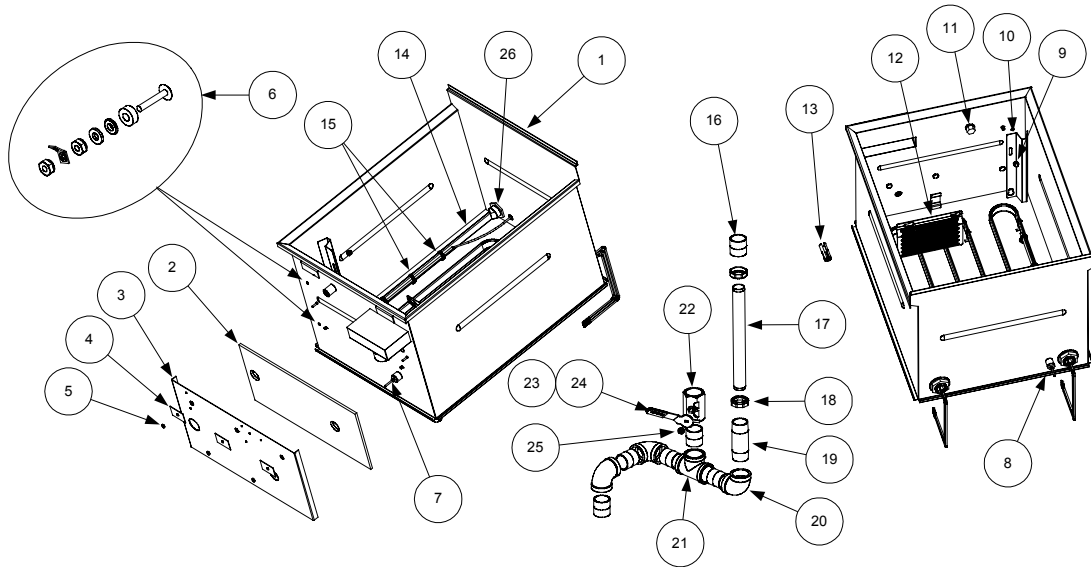




ITEM	PART #	COMPONENT
1	809-0250	Nut, 6-32 Hex Head Keys
2	806-9100	Computer, CM III (for use on EWBS units only)
3	823-2760	Panel, Computer Control with Two Cutouts
4	823-2770	Panel, Computer Control with One Cutout
5	910-2454	Panel, Manual (Thermostat) Control
6	807-0495	Light, Red and White Split, 24V
7	807-2479	Switch, ON-OFF-ON Rocker (Non-Illuminating)
8	807-2082	Switch, ON-OFF Rocker (Non-Illuminating)
9	807-2273	Switch, ON-OFF Rocker (Non-Illuminating)
10	806-9413	Bracket, Interface Board Mounting
11	809-0238	Nut, 4-40 Hex Head
12	809-0360	Screw, #8 x 3/8-inch Washer Slotted Hex Head
13	810-1164	Block, Screwless Terminal
14	809-0354	Screw, 4-40 x 3/4-inch Slotted Pan Head
15		Interface Board
	806-6505	For use on units with manual (thermostat) controls.
	806-9295	For use on units with computer.
16	809-0250	Nut, 6-32 Hex Head Keys
17	807-2272	Thermostat, Operating
18	900-5026	Bracket, Thermostat Mounting
19	810-0387	Knob, Control
*	802-1432C	Label, Thermostat Dial (adhesive-backed)
20	806-4206	Probe, Temperature (for use on units with computers)

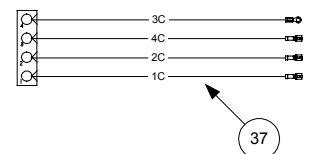
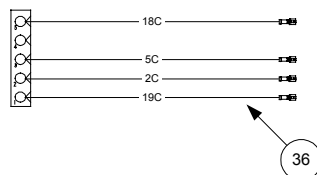
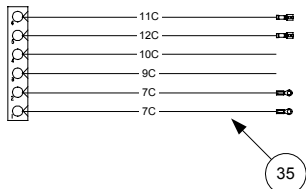
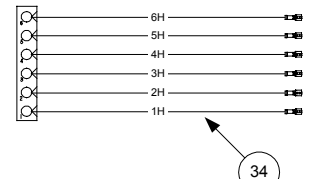
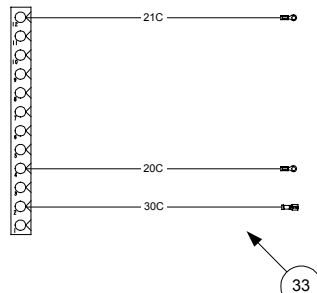
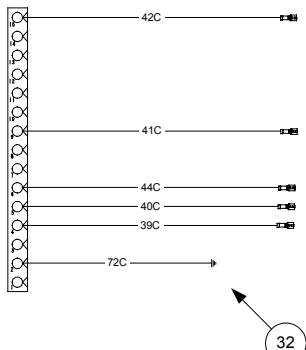
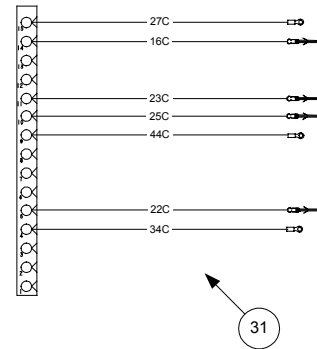
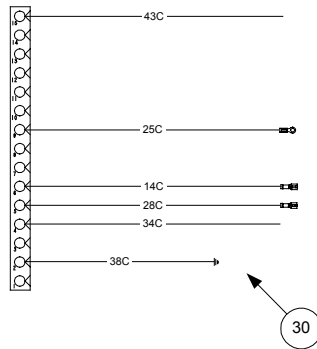
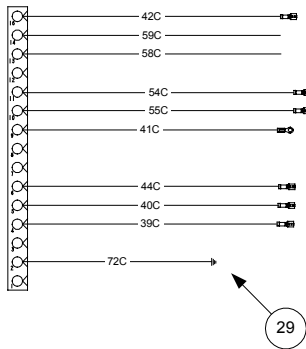
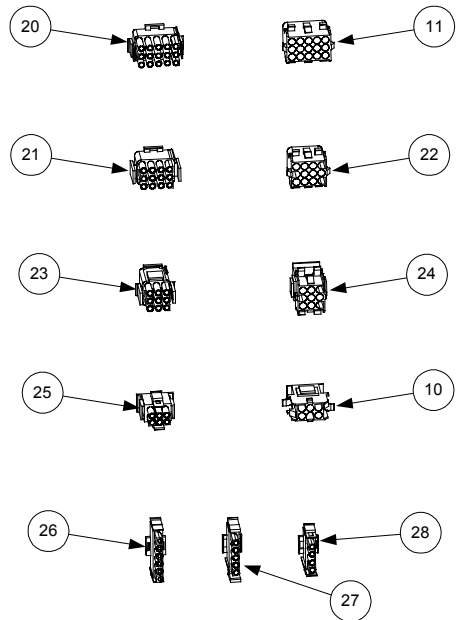
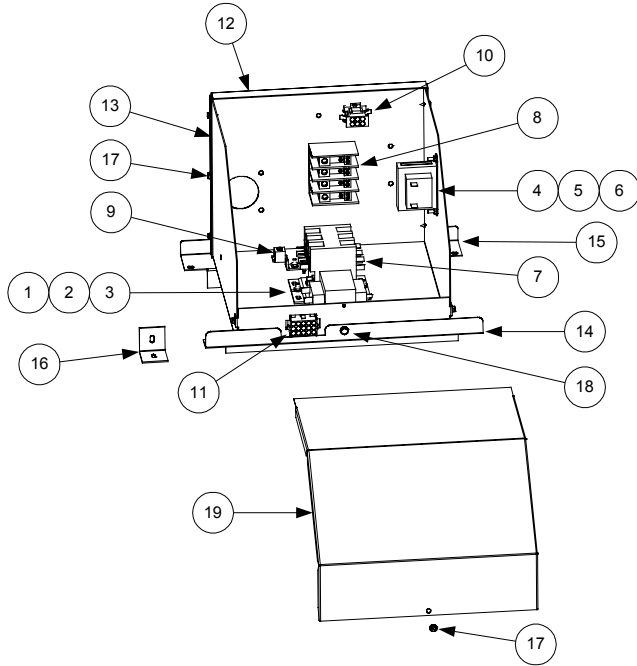
\* Not illustrated.

**COOKPOT AND DRAIN COMPONENTS**



ITEM	PART #	COMPONENT
1		Cookpot
	823-2392SP	Units with Manual Controls
	823-2757SP	Units with Computers
2	816-0152	Insulation, Cookpot Front
3	900-5405	Retainer, Cookpot Front Insulation
4	900-1762	Retainer, Insulation
5	826-1376	Nut, 10-32 Hex Head Keps (Pkg of 10)
6	806-7552SP	Water-Level Sensor Assembly
7		Temperature Sensor
	807-2272	Operating Thermostat (units with manual controls)
	806-4206	Temperature Probe (units with computers)
8	807-2466	High-Limit Thermostat
9	809-0047	Nut, 1/4-20 Cap
10	910-2927	Cover, Water-Level Sensor
11	810-0976	Nozzle
12	910-1038	Thermostat Guard (units with manual controls)
13	810-0738	Probe Guard (units with computers)
14	807-2440	Element, 208V 13kW Heating
15	809-0567	Tie Wrap, Metal
16	813-0391	Nipple, 1/4-inch NPT Close
17	813-0451	Nipple, 1/4-inch NPT x 12-inch Chromed Brass
18	813-0453	Nut, 1/4-inch NPT Chromed Stainless Steel Slip
19	813-0146	Nipple, 1/4-inch NPT x 4/4-inch
20	813-0070	Elbow, 1/4-inch NPT 90°
21	813-0394	Tee, 1/4-inch NPT
22	810-1825	Valve 1/4-inch NPT Drain
23	814-0047	Sleeve, Red Drain Valve Handle
24	910-9527	Handle, Drain Valve
25	809-0063	Nut, 3/8-16 Jam
26	809-0204	Washer, Teflon (between element and inside face of cookpot)

# ELECTRONICS

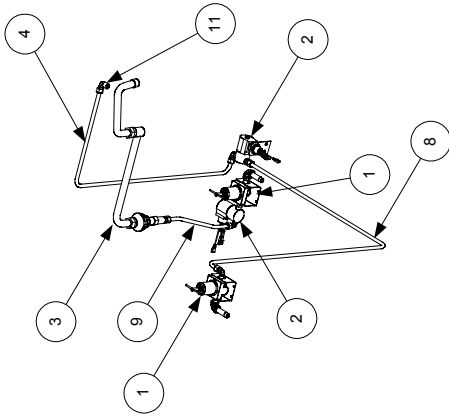


ITEM	PART #	COMPONENT
1	807-0680	Transformer, 208-240VAC/24VAC, 50/60Hz, 43VA
2	809-0112	Screw, 8-32 x 1¼-inch, Slotted Truss Head
3	809-0247	Nut, 8-32 Hex Keps
4	807-0979	Transformer, 208-240VAC/12VAC, 50/60Hz, 20VA (for Basket Lift)
5	809-0104	Screw, 8-32 x ½-inch Slotted Hex Washer Head
6	809-0050	Nut, 8-32 Hex
7	810-1202	Contactor, 3-pole, 600V, 40 Amp
8	807-2465	Power Block
9	807-0070	Terminal, Ground Lug
10	807-2136	Connector, 6-pin High Amp Female (2 x 3)
11	807-0875	Connector, 15-pin Female (3 x 5)
12	900-5000	Back, Contactor Box
13	900-5001	Contactor Box
14	900-5027	Brace, Contactor Box Front
15	900-5028	Brace, Contactor Box Rear
16	900-0289	Bracket, Contactor Box (used with Moisture Shield [Item 27, Page 22])
17	809-0360	Screw, 8-32 x ¾-inch Slotted Hex Washer Head Drill Point
18	809-0434	Screw, 8-32 x ¾-inch Hex Washer Head Machine
19	900-5150	Cover, Contactor Box
20	807-0804	Connector, 15-pin Male (3 x 5)
21	807-0160	Connector, 12-pin Male (3 x 4)
22	807-0159	Connector, 12-pin Female (3 x 4)
23	807-2137	Connector, 9-pin Male (3 x 3)
24	807-2138	Connector, 9-pin Female (3 x 3)
25	807-2135	Connector, 6-pin High Amp Male (2 x 3)
26	807-0184	Connector, 6-pin Male (1 x 6)
27	807-3075	Connector, 5-pin Male (1 x 5)
28	807-2078	Connector, 4-pin Male (1 x 4)
29	806-9299	Harness, Contactor Box Internal (15-pin female connector with 10 leads)
30	806-9095	Harness, Contactor Box External (15-pin male connector with 6 leads)
31	806-9309	Harness, EWBS Computer (15-pin male connector with 7 leads)
32	806-8808	Harness, Contactor Box Internal (15-pin female connector with 6 leads)
33	806-9308	Harness, EWBS IFB to Components (12-pin male connector with 3 leads)
34	106-0156	Harness, Element to Contactor (6-pin female connector with 6 leads)
*	806-8807	Harness, Element to Contactor (9-pin female connector with 6 leads)
35	806-9096	Harness, ESW Interface Board (6-pin male connector with 6 leads)
36	806-9305	Harness, EWBS Basket Lift (5-pin male connector with 4 leads)
37	806-9097	Harness, ESW/EWBS w/o Basket Lift (4-pin male connector with 4 leads)

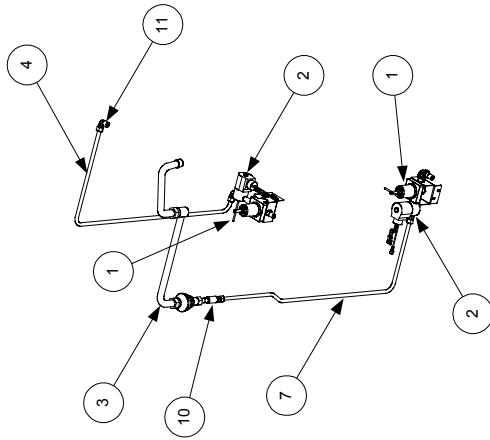
\* Not illustrated.

**WATER SUPPLY COMPONENTS**

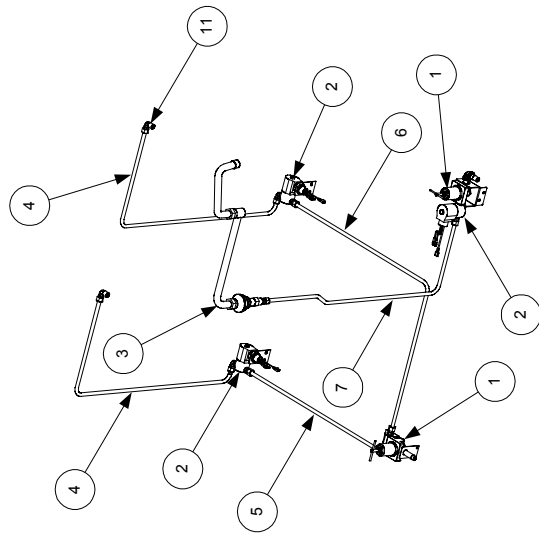
**TYPICAL WATER SUPPLY CONFIGURATIONS**



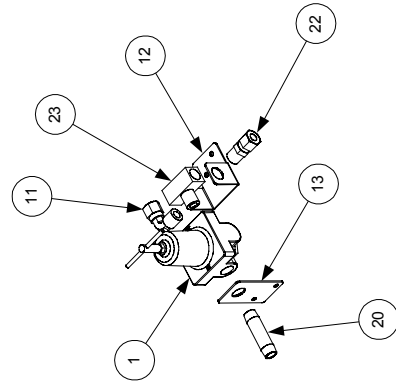
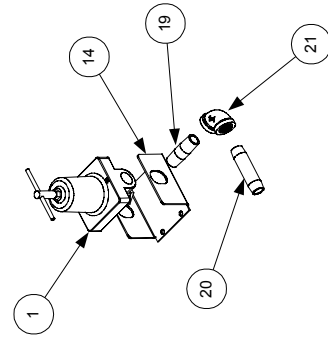
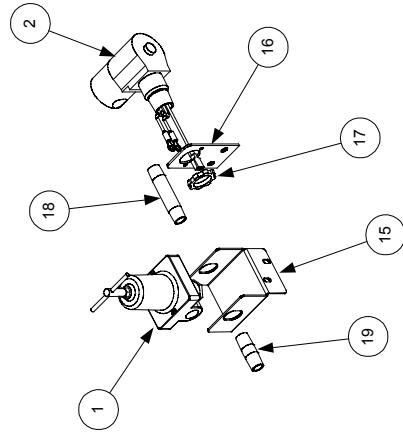
Single Unit with  
Basket Lifts



Single Unit without  
Basket Lifts



Double Unit without  
Basket Lifts



**DETAIL OF PRESSURE REGULATOR AND SOLENOID COMPONENTS**  
(shown disproportionately large for clarity)

ITEM	PART #	COMPONENT
1	810-1208	Valve, Water Pressure Regulator
2	806-7551	Valve Assembly, Solenoid
3	813-0513	Faucet, Double Jointed (with no cutoff valve)
4	910-2513	Tubing, Solenoid Valve to Cookpot
5	812-1292	Tubing, Regulator Valve to Right Solenoid Valve (used in double units)
6	812-1293	Tubing, Regulator Valve to Left Solenoid Valve (used in double units)
7	910-5149	Tubing, Solenoid Valve to Faucet
8	910-8011	Tubing, Regulator Valve to Solenoid Valve (units with basket lifts only)
9	910-8012	Tubing, Solenoid Valve to Faucet (units with basket lifts only)
10	813-0507	Coupling, 1/4-inch NPT Brass
11	810-0907	Compression Fitting, 3/8-inch NPT to Tubing 90° Elbow
12	900-2915	Bracket, Pressure Regulator Valve (used in double units)
13	900-2917	Brace, Water Inlet (used in double units)
14	900-7991	Bracket, Pressure Regulator Valve (units with basket lifts only)
15	900-2916	Bracket, Pressure Regulator Valve (units without basket lifts only)
16	900-1905	Bracket, Solenoid Valve (units without basket lifts only)
17	809-0454	Nut, 1/2-inch Conduit
18	813-0472	Nipple, 1/4-inch NPT x 2.5-inch
19	813-0471	Nipple, 1/4-inch NPT x 1.5-inch
20	813-0450	Nipple, 1/4-inch NPT x 2.0-inch
21	813-0448	Elbow, 90° 1/4-inch NPT
22	810-1025	Compression Fitting, 1/4-inch NPT to Tubing Straight
23	813-0495	Tee, 1/4-inch NPT Male Branch to 1/4-inch NPT Female