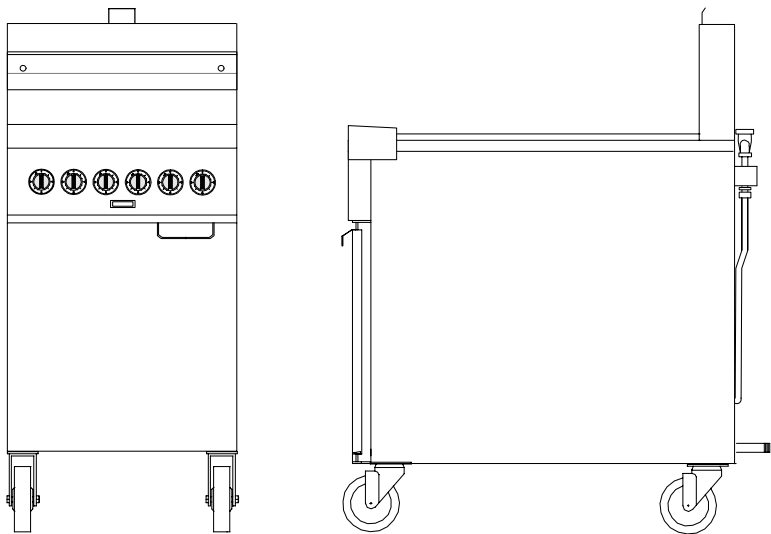


# FBR18 & FBRA18 Series Gas Rethernalizers

Installation, Operation, Service, and Parts Manual



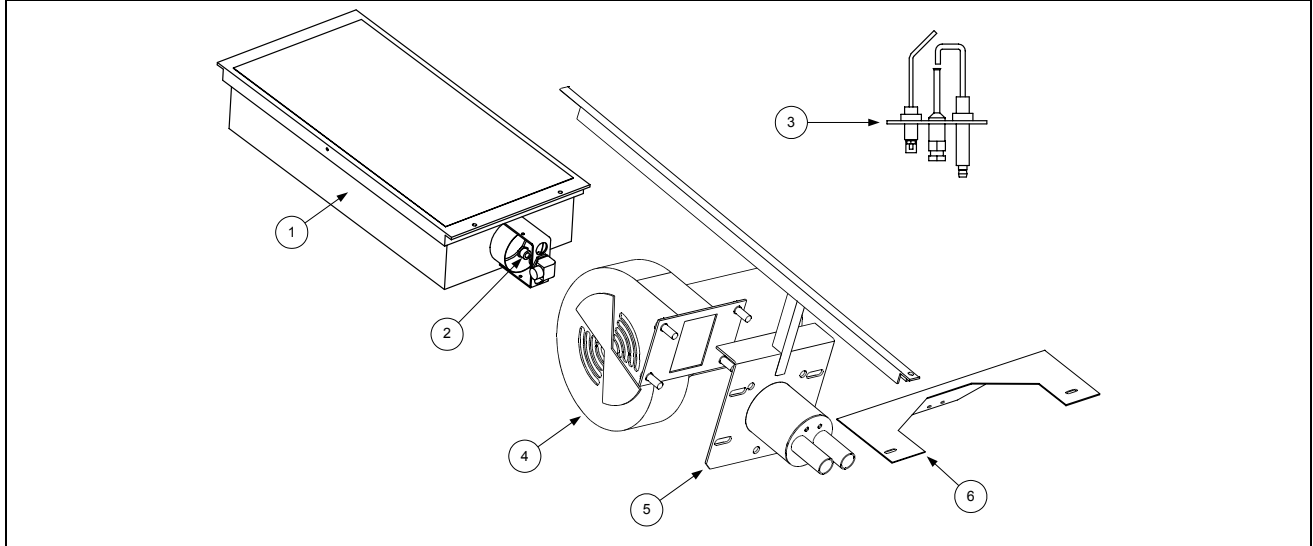
Frymaster, a member of the Commercial Food Equipment Service Association, recommends using CFESA Certified Technicians.

**24-Hour Service Hotline 1-800-551-8633**

**819-5278  
May 2003**

## FBR18 & FBRA18 SERIES GAS RETHERMALIZERS CHAPTER 7: PARTS LIST

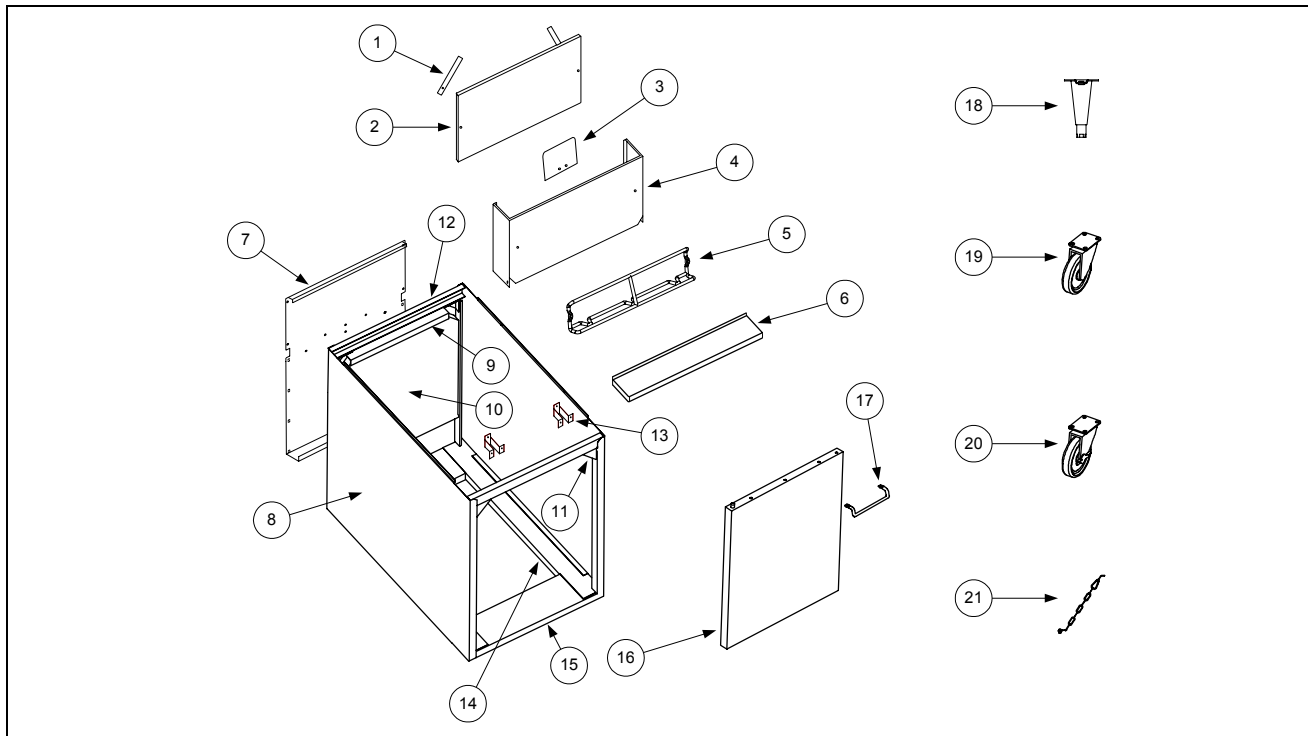
### 7.1 Burner System Components



ITEM	PART #	COMPONENT
		Burner Assemblies
	806-5563	Natural Gas, Complete
	806-5564SP	Propane Gas, Complete
1	810-1382	Burner, Reverse Plenum, Universal
2		Orifice
	810-0916	Natural Gas, 3.26mm
	810-0917	Propane Gas, 2.00mm
3		Ignitor
	810-0521	Natural Gas
	810-0608	Propane Gas
4	807-1564	Blower, Combustion Air
5	823-2528	Mount, Combustion Air Blower
6	900-5525	Bracket, Combustion Air Blower Stabilizer
*	816-0055	Insulation, Burner Support, ½" x 17.38"
*	810-0507	Spacer, Combustion Air Blower Mount, .23" x .75"
*	807-1878	Ignitor Wire, 19" (See illustration on Page 7-3)
*	816-0165	Insulation, Ignitor
*	806-5541	Flame Sensor Wire (See illustration on Page 7-3)
*	816-0278	Hose, Air, 5/8" ID
*	823-2526	Bracket, Air Hose Connection, Left
*	823-2685	Bracket, Air Hose Connection, Right
*	900-1789	Enrichment Tube

\* Not illustrated

## 7.2 Cabinetry and Associated Components

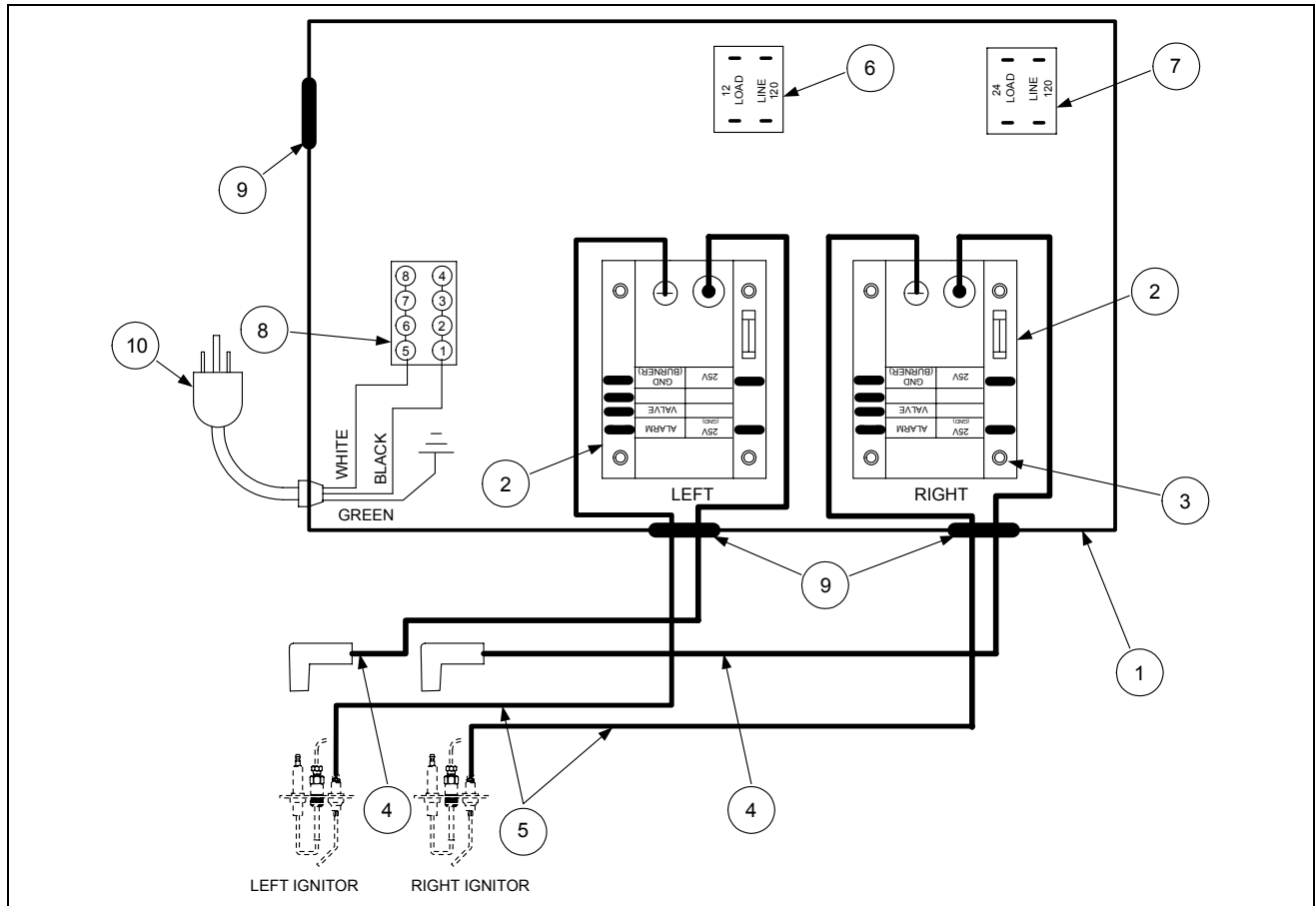


ITEM	PART #	COMPONENT
1	910-1181	Retainer, Flue Cap Insulation
2	816-0157	Insulation, Flue
3	900-4603	Flue Guard
4	823-2107	Flue Cap
5	810-2263	Hanger, Basket (810-2263 hanger replaced extruded aluminum hanger, which is no longer available.)
6	910-7434	Top Cap
7	900-7379	Back, Cabinet
8	900-7377	Side, Cabinet, CRS, Left or Right
9	900-4521	Retainer, Cabinet Back Insulation
10	812-1141	Insulation, Cabinet Back
11	900-1552	Gusset
12	900-4505	Top Brace
13	900-1759	Bracket, Pot Hold Down
14	900-7376	Channel, Base Side, Left or Right
15	900-4504	Channel, Base Front or Rear
16	806-3853	Door Assembly
17	810-1422	Handle, Wireform Door
18	826-3811	Leg Assembly (set of four)
19	810-0356	Caster, 5-inch Wheel, w/o Brake
20	810-0357	Caster, 5-inch Wheel, w/Brake
21	826-0900	Chain Restraint Kit
*	806-5209	Leg Pad Assembly
*	812-1142	Insulation, Cabinet Back, 2" x 17.5"

ITEM	PART #	COMPONENT
------	--------	-----------

\* Not illustrated

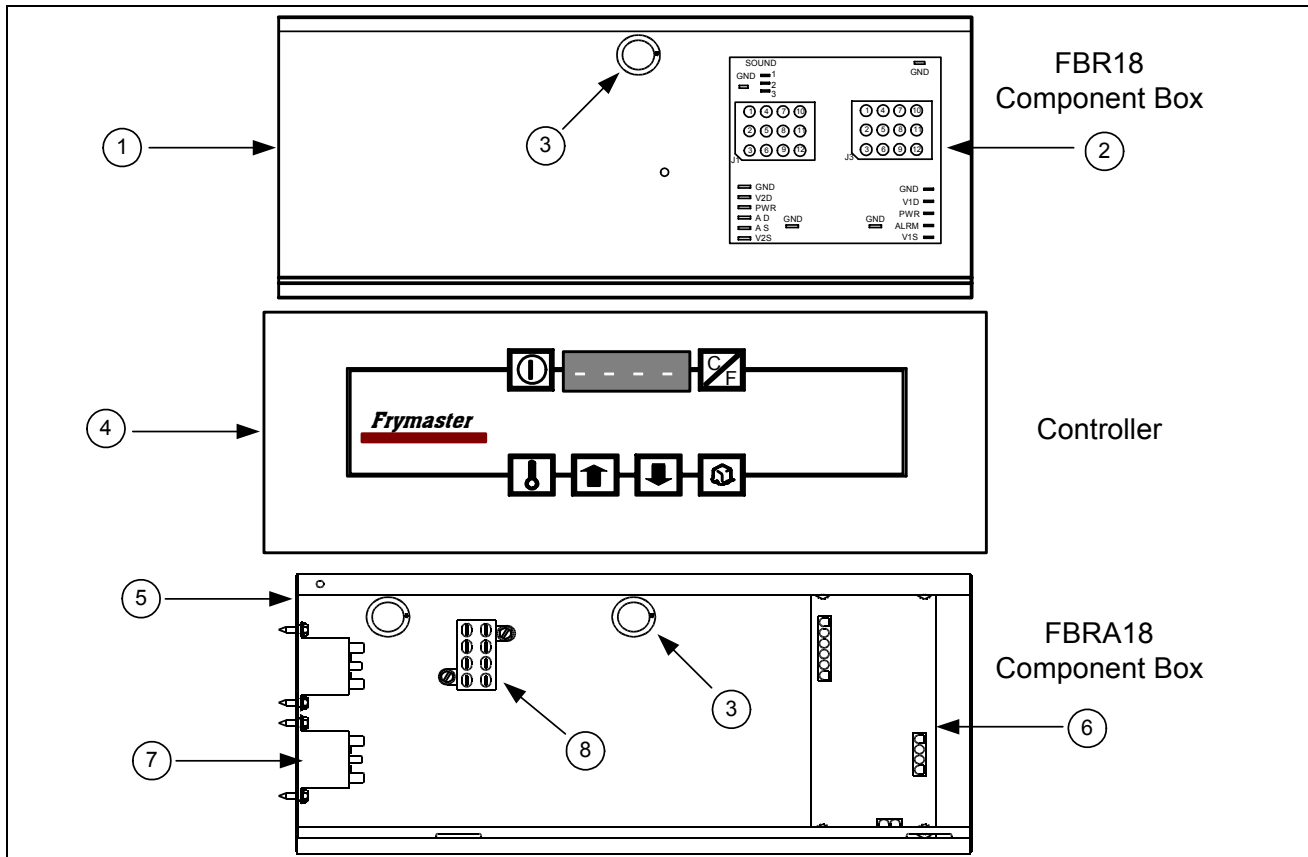
### 7.3 Control Box Assembly and Associated Parts, FBR18/ FBRA18



ITEM	PART #	COMPONENT
1	900-4509	Control Box Mounting Base
2	807-1006	Ignition Module, 4-Second Honeywell
3	809-0446	Spacer, .26-inch x .50-inch
4	807-1706	Cable, Ignition, 36-inch
5	806-5541	Wire, Flame Sensor
6	807-0855	Transformer, 120V-12V, 20VA, 50/60 Hz
7	807-0800	Transformer, 120V-24V, 50VA, 50/60 Hz
8	807-0067	Block, 8-pin Terminal
9	810-0045	Bushing, .875-inch
10	806-5332	Cord, Electrical Power
*	900-4508	Control Box Heat Shield
*	900-4510	Control Box Side
*	806-9334	Harness, 12-pin Wiring
*	806-9335	Harness, 9-pin Wiring

\* Not illustrated.

### 7.4 Controller and Component Box Assemblies



ITEM	PART #	COMPONENT
1	824-0396	Control Box (used on FBR18 only)
2	806-3398	Interface Board (used on FBR18 only)
*	809-0394	Spacer, Interface Board Standoff, 4mm x 6mm (used on FBR18 only)
3	810-0045	Bushing, .875-inch (used on FBR18 and FBRA18)
4	806-5303	Controller, Digital (used on FBR18 and FBRA18)
5	806-9414	Control Box Assembly (used on FBRA18 only)
6	806-9592	Interface Board (used on FBRA18 only)
7	807-1683	Relay, 12VDC (used on FBRA18 only)
8	807-0067	Block, 8-pin Terminal
*	807-1241	Spacer, Interface Board Standoff, 5/8-inch (used on FBRA18 only)

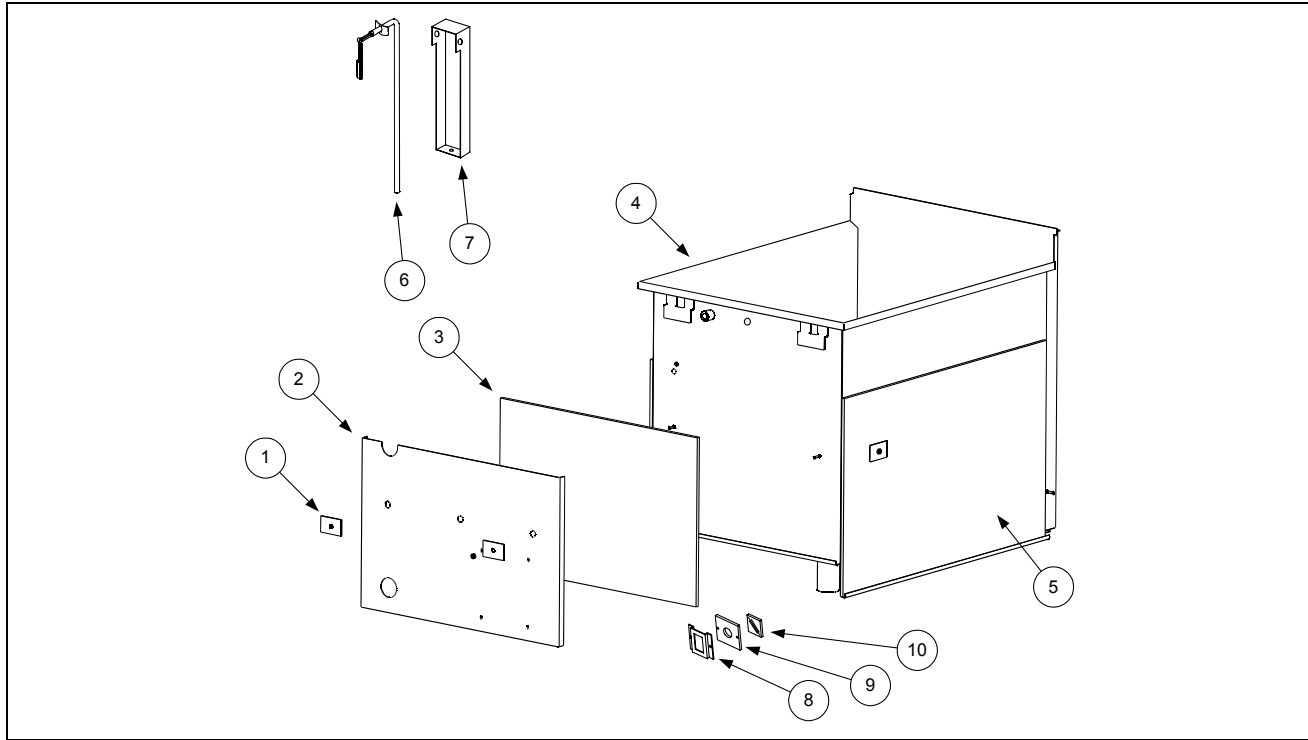
\* Not illustrated.

**7.5 Cooking Timer Control Panel Components**

Error! Not a valid link.

ITEM	PART #	COMPONENT
1	910-4496	Cooking Timer Control Panel
2		Knob Assembly
	810-1287	Black
	806-5339	Gray
	806-5340	Red
	806-5341	Brown
	806-5342	Blue
	806-5343	Green
3	810-0808	Faceplate, Timer Dial
4	810-0807	Timer, Springwound, 60-Minute
5	807-1547	Lamp, Red Lens, 24V Trouble
6	806-5260SP	Frame, Cooking Timer Control Panel

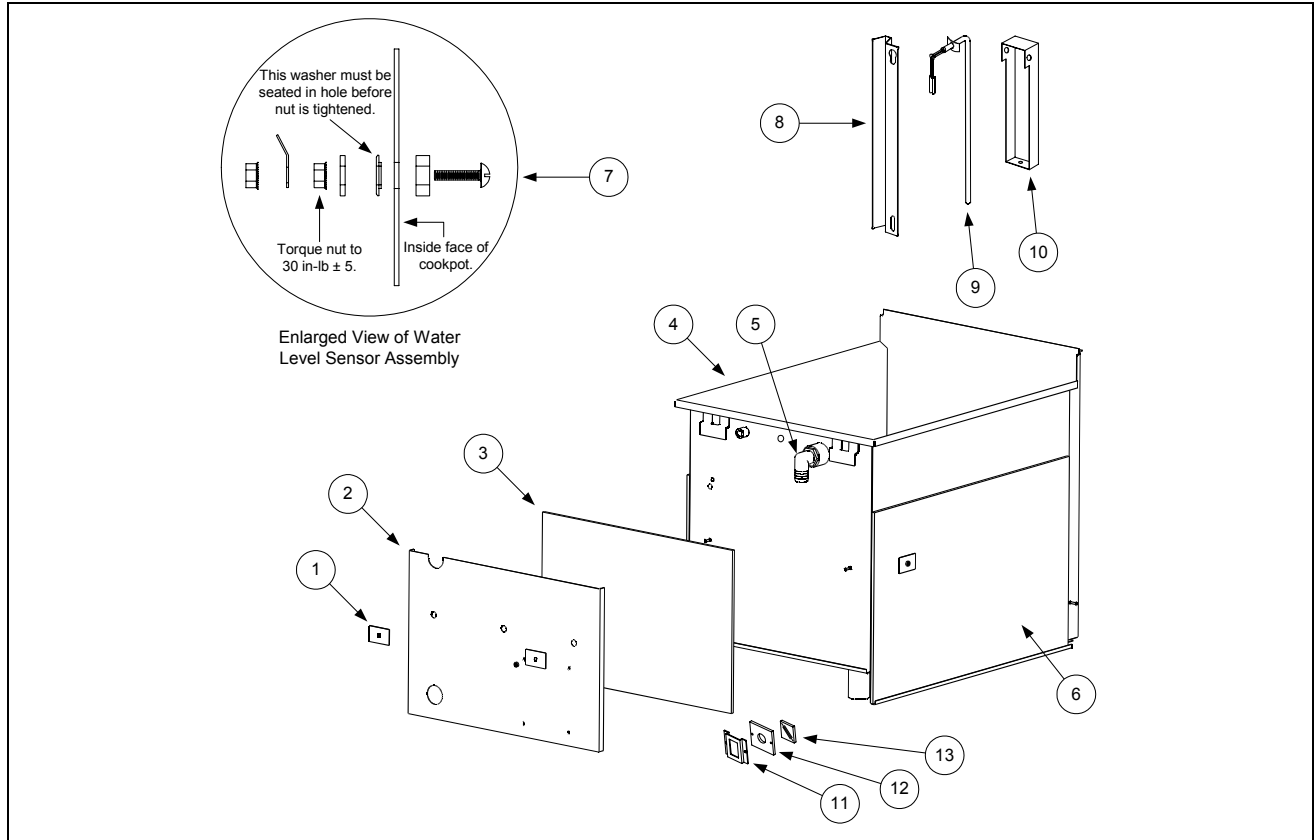
7.6 Cookpot, FBR18



ITEM	PART #	COMPONENT
1	900-1762	Retainer, Insulation
2	900-7431	Cover, Cookpot Front Insulation
3	816-0143	Insulation, Cookpot Front
4	823-1891SP	Cookpot
5	816-0144	Insulation, Cookpot Side
6	806-5251SP	Probe Assembly, Temperature
7	824-0395	Guard, Probe
8	900-1031	Retainer, Sight Glass
9	816-0053	Insulation, Sight Glass
10	814-0048	Sight Glass
*	810-0809	Block, Probe Mounting
*	816-0157	Insulation, Upper Flue, 8.5" x 18.0"
*	816-0158	Insulation, Lower Flue, 10.5" x 19.0"
*	816-0055	Insulation, Burner Support, 1/2" x 17.38"
*	816-0145	Insulation, Bottom Front, 3.0" x 14.5"
*	816-0166	Insulation, Bottom Rear, 3.5" x 17.0"
*	809-0204	Washer, Teflon, 5/8" x 1"

\* Not illustrated.

**7.7 Cookpot, FBRA18**

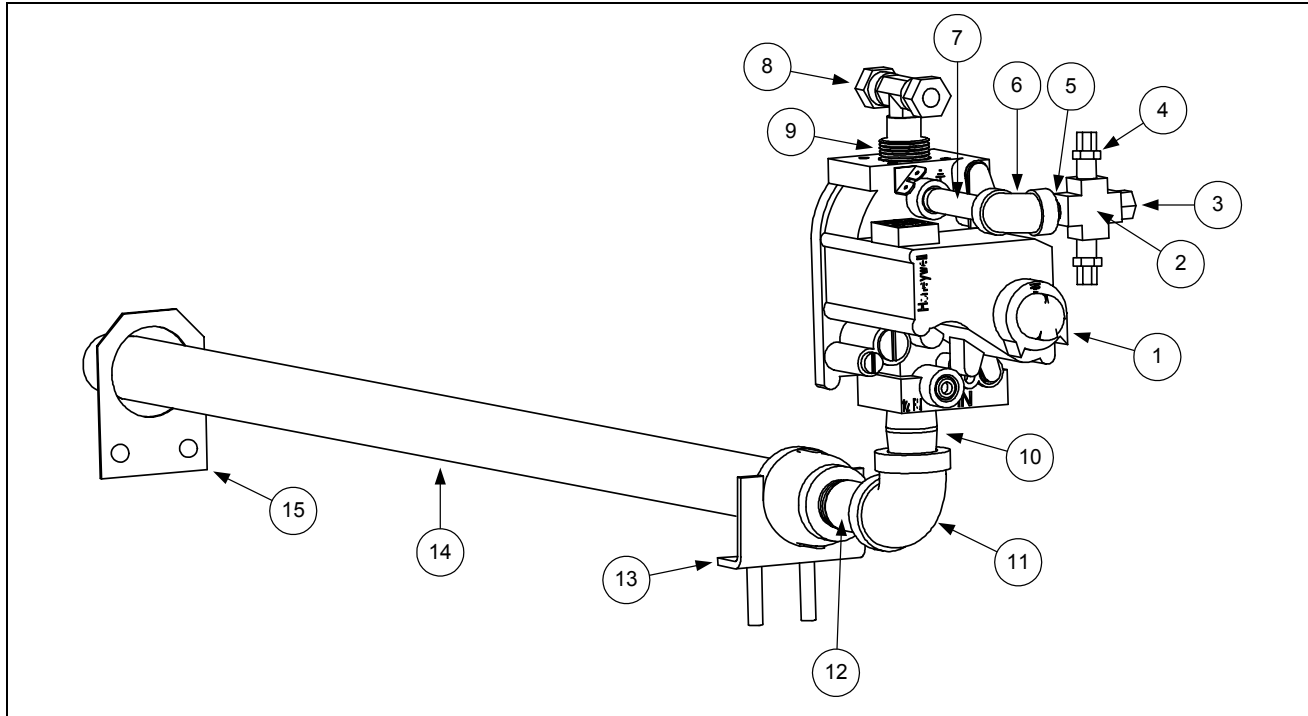


ITEM	PART #	COMPONENT
1	900-1762	Retainer, Insulation
2	900-7431	Cover, Cookpot Front Insulation
3	816-0143	Insulation, Cookpot Front
4	823-4094SP	Cookpot
5	813-0557	Elbow, Plastic, 1" NPT to 1" Barb
6	816-0144	Insulation, Cookpot Side
7	806-7552SP	Sensor Assembly, Upper or Lower Water Level
8	910-5196	Cover, Water Level Sensors
9	806-5251	Probe Assembly, Temperature
10	824-0395	Guard, Probe
11	900-1031	Retainer, Sight Glass
12	816-0053	Insulation, Sight Glass
13	814-0048	Sight Glass
*	810-0809	Block, Teflon, Probe Mounting
*	816-0157	Insulation, Upper Flue, 8.5" x 18.0"
*	816-0158	Insulation, Lower Flue, 10.5" x 19.0"
*	816-0145	Insulation, Bottom Front, 3.0" x 14.5"
*	816-0166	Insulation, Bottom Rear, 3.5" x 17.0"
*	809-0204	Washer, Teflon, 5/8" x 1"
*	816-0055	Insulation, Burner Support, 1/2" x 17.38"

\* Not illustrated.



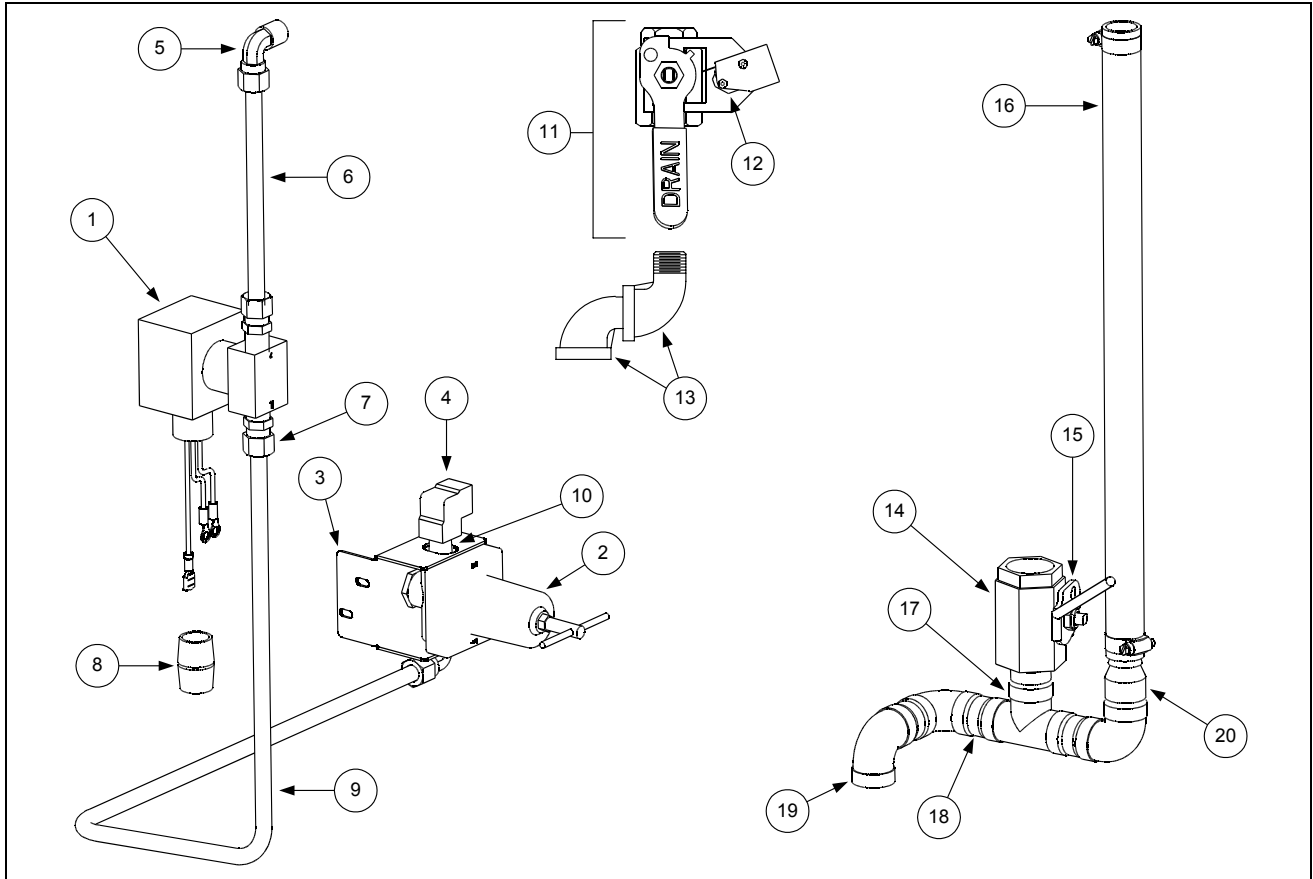
### 7.8 Gas Supply Components



ITEM	PART #	COMPONENT
1		Gas Valve
	810-0786	Natural Gas
	810-0787	LP (Propane) Gas
2	813-0378	Fitting, Cross, 1/8" NPT, Brass
3	813-0154	Plug, Pipe, 1/8" Hex Head
4	813-0340	Adapter, 1/8" NPT x 1/8" Tube, Brass
5	813-0016	Nipple, 1/8" x 3/4" NPT, BM
6	813-0004	Elbow, 1/8" NPT x 90°, BM
7	813-0433	Nipple, 1/8" NPT x 2 1/2", BM
8	813-0304	Bushing, 1/2" x 1/4" Flush, BM
9	813-0301	Tee, Male, 3/8" x 1/4" NPT x 3/8", Brass
10	813-0022	Nipple, 1/2" NPT Close, BM
11	813-0062	Elbow, 1/2" x 90°, BM
12	813-0265	Nipple, 1/2" NPT x 2 1/2", BM
13	823-2766	Mounting Bracket, Gas Line
14	813-0257	Nipple, 3/4" NPT x 24 1/2", BM
15	823-1893	Bracket, Rear Manifold
*	810-0816	Plug, Honeywell Gas Valve

\* Not illustrated.

7.9 Plumbing Components



ITEM	PART #	COMPONENT
1	806-9067	Valve Assembly, Solenoid (FBRA18 only)
2	810-1208	Valve, Water Pressure Regulator (FBRA18 only)
3	900-2916	Bracket, Water Pressure Regulator Valve (FBRA18 only)
4	813-0448	Elbow, Pipe Fitting, Brass, 1/4" (FBRA18 only)
5	813-0302	Elbow, Compression, 1/4" NPT x 3/8" Tubing (FBRA18 only)
6	910-8027	Tubing, SS, Solenoid to Cookpot (FBRA18 only)
7	810-1025	Compression Fitting, Straight, 1/4" (FBRA18 only)
8	813-0022	Nipple, 1/2" x Close, BM NPT (FBRA18 only)
9	910-8026	Tubing, SS, Water Line (FBRA18 only)
10	813-0471	Nipple, 1/4" x 1 1/2" Brass NPT (FBRA18 only)
11	806-8467SP	Valve Assembly, Drain w/Microswitch, Complete (FBR18 only)
12	807-2103	Microswitch (FBR18 and FBRA18)
13	813-0379	Elbow, Street, 1 1/4" BM NPT (FBR18 only)
14	810-1020	Valve, Drain (FBRA18 only)
15	823-2047	Handle, Drain Valve (FBRA18 only)
16	816-0371	Hose, Drain (FBRA18 only)
17	813-0314	Tee, 1" BM NPT (FBRA18 only)
18	813-0138	Nipple, 1" BM NPT (FBRA18 only)
19	813-0202	Elbow, 1" x 90° BM NPT (FBRA18 only)
20	813-0525	Fitting, Barbed, 1" NPT to Hose (FBRA18 only)