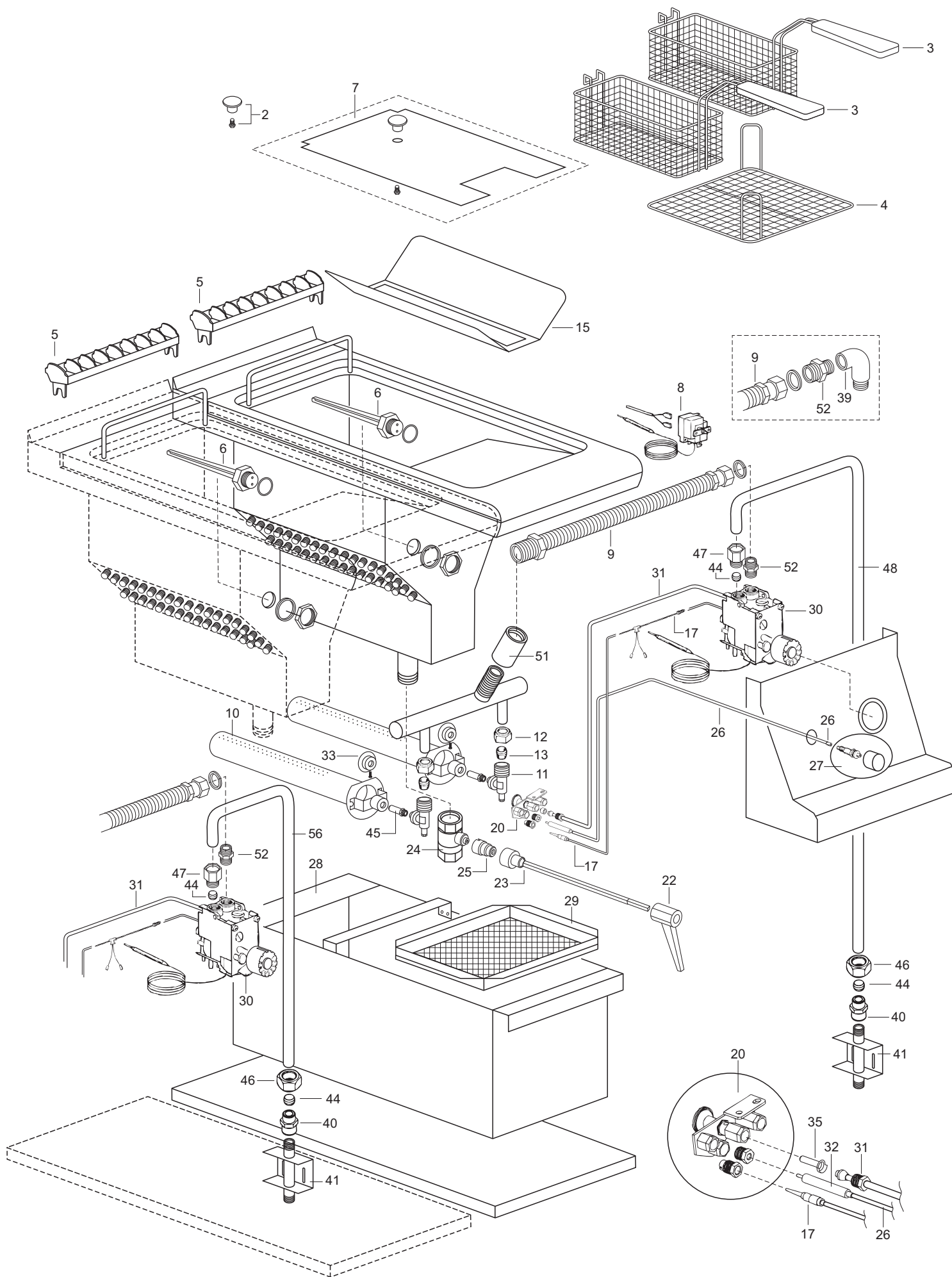


G7001

**CATALOGO RICAMBI
SPARE PARTS CATALOGUE
CATALOGUE PIECES DETACHEES
ERSATZTEILKATALOG
CATALOGO DE PIEZAS DE RECAMBIO**

**FG7N604A
FG7N604S
FG7N605A
FG7N605S**

TAVOLA 1



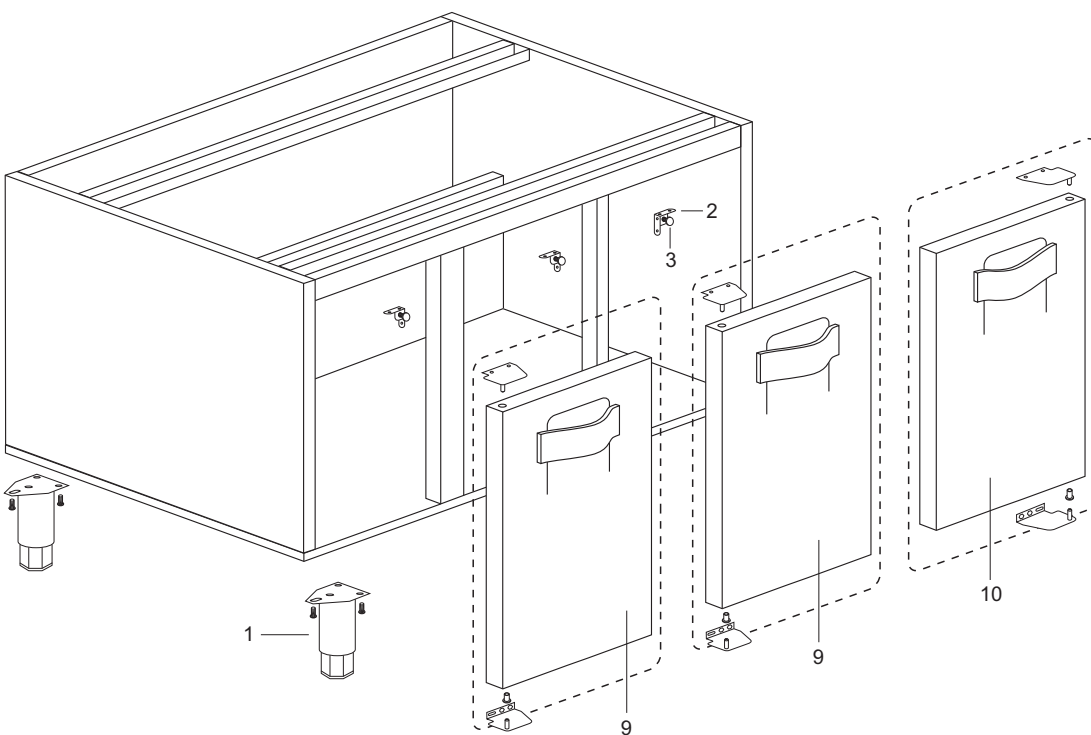
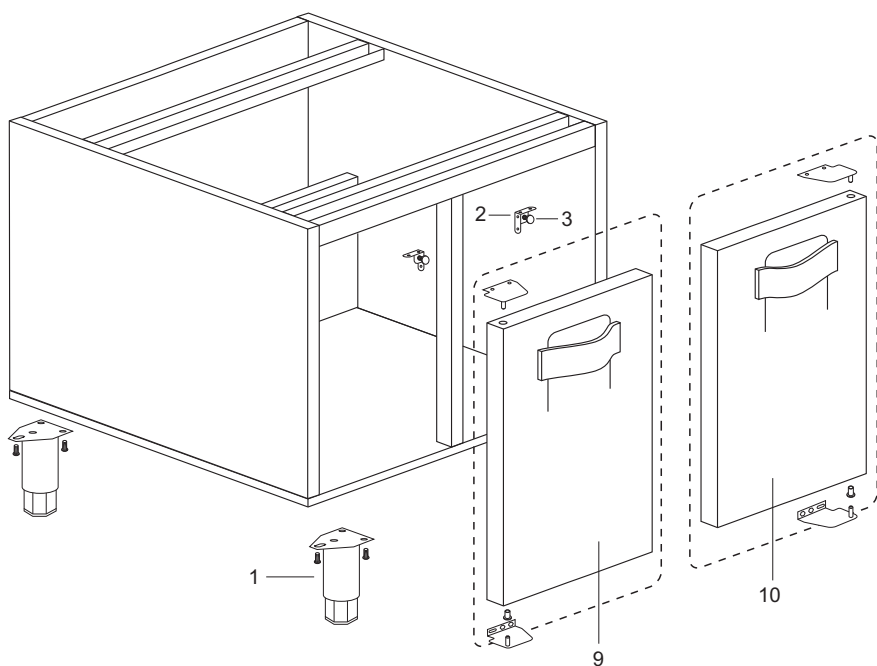
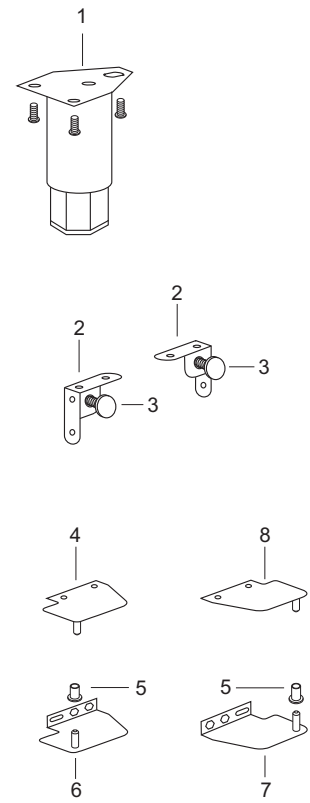
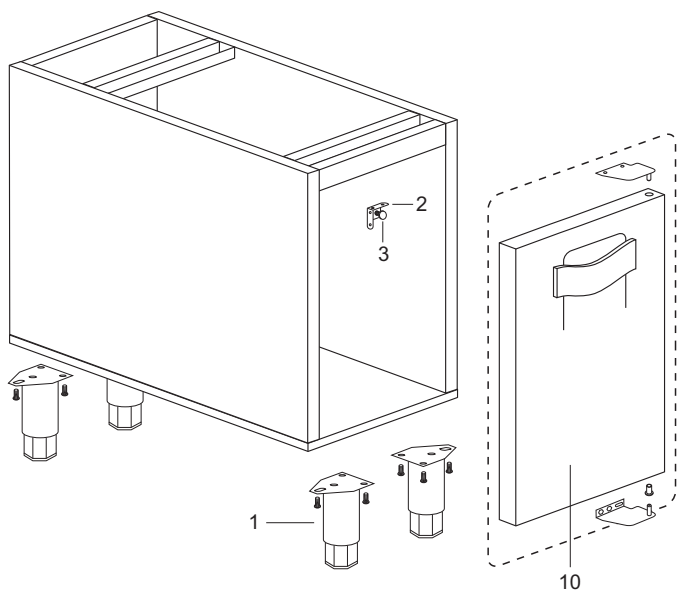
Listino componenti per pagina 1

| | | | |
|----|--|---|--|
| 2 | A00655 | ASS.IMPUGNATURA FISSA P.131/35 M8 POIGNE COUVERCLE FIXE P.131/35 M8 FIXED HANDLE P131/35 M8 ASS. FIXEM GRIFF SATZ P131/35 M8 ASS. | |
| 3 | 270205630 <i><u>Recommended spare parts</u></i> | CESTEL. 1/2(LT.6,5) FG.LT.17 INVASO PANIER POUR FRITEUSE LT,18 18 Lt. FRYER BASKET KORB FÜR FRITEUSE LT. 18 | |
| 4 | 270205620 <i><u>Recommended spare parts</u></i> | RETINA SUPP.CESTINO FG LT.17 INVASO GRILLAGE SUUP.PANIERES FRIT.LT17 17 LT. TANK FILTER ASS. FILTER F.17 LT FRITEUSEN BECKEN | |
| 5 | 270205480 | GRIGLIA DI GHISA SCARICO FUMI PIANO GRILLE EN FONTE EVACUATION FUMES CAST IRON GRID F.FUMERISER GUSSEISEN ROST FUER ABGASE | |
| 6 | A00431 <i><u>Recommended spare parts</u></i> | PORTABULBI CON DADO E GUARNIZIONE SUPPORT DE BULBES AVEC ECROU+JOINT BULBE SUPPORT W/SCREW & GASKET KOLBENHALTER M/MUTTER & DICHTUNG | |
| 7 | A00650 | ASS.COPERCHIO VASCA FG ELE LT12/17 ASS.COUCVERCLE BAC FRIT.ELE.LT.12/17 TANK LID ASS. DECKEL FÜR FRITEUSEN BECKEN LT12/17 | |
| 8 | A00668 <i><u>Recommended spare parts</u></i> | ASS. TERMOST. DI SIC. F.G. + CONT. ASS.THERMOST.DE SEC. FRITEUSE HIGHT LIMIT THERMOSTAT ASS. SICHERHEIT THERMOSTAT SATZ | |
| 9 | 43151222 | RACCORDO FLES. GAS 220-410 MFI/2 RACCORD FLEXIBLE GAZ 220-410 MFI/2 GAS FLEXIBLE GAS SCHLAUCH | |
| 10 | 770125060 | ASS. BRUC. MULTIGAS 11KW FG. LT.17 ASS.BRULEUR MULTIGAZ 11 KW MULTIGAS BURNER 11 KW. MULTIGAS BRENNER 11 KW. | |
| 11 | A00581 | ASS.GOMITO A 90° M20-M14 LUNGO 6 ASS.RACCORD 90° M20-M14 LONGUE 6 90° ELBOW ASS M20-M14 ELBOGENROHR SATZ 90°M20-M14 | |
| 12 | 270201680 | DADO PER BICONO 10/S-M20X1,5 ECROU POUR BICONE 10/S-M20X1,5 NUT FOR NOSE CONE 10/S-M20X1,5 MUTTER FUER BICONE 10/S-M20X1,5 | |
| 13 | 270201580 | BICONO DM.10 S BICONE DIAM.10 S NOSE CONE DIAM.10 S BICONE DIAM.10 S | |
| 15 | 770125170 | ASS. PROT.INT.FONDO VASCA FG.LT.17 ASS.PROTEC.INT.FOND CUVE FRIT.17 LT TANK BOTTOM PROTECTION ASS. GAS FRYER BECKEN BODEN SCHUTZ FÜR GAS FRITEU SE | |
| 17 | 4343106 <i><u>Recommended spare parts</u></i> | TERMOCOPPIA INT.M9X1 L=850 THERMOCOUPLE M9X1 L=600 THERMOCOUPLE M9X1 L=600 THERMOELEMENT M9X1 L=600 | |
| 20 | A00664 <i><u>Recommended spare parts</u></i> | ASS. PILOTA ACC. 3-VIE M10X1 321 ASS.VEILLEUSE ALL.3 VOIS M10X1 321 3-WAY IGNITION PILOT ASS. 3-WEGE ZÜNDUNG PILOT SATZ. | |

| | | | |
|----|---|--|--|
| 22 | 3331080880 | MANIGLIA A LEVA MOD.MF.80N 8X8 LEVIER MF 80N 8X8 HANDLE MF 80N 8X8 GRIFF MF 80N 8X8 | |
| 23 | 770127340 | ASS. PROLUNGA VALV. SC.FRIG.STYLE ASS.RALLONGE VANNE VIDANGE FRITEUSE DRAIN VALVE EXTENTION ASS. VERLÄNGERUNG VENTIL ROHR | |
| 24 | 4332010 <i>Recommended spare parts</i> | VALVOLA A SFERA 1"G.S/2000 FF VANNE A BILLE 1" F-F- BALL VALVE 1" F-F- KUGELVENTIL 1"F-F- DROSSEL | |
| 25 | 770338950 | INNESTO VALVOLA F.G. EMBRAYAGE VANNE FRITEUSE GAS FRYER VALVE CLUTCH VENTIL KUPPLUNG FÜR GASFRITEUSE | |
| 26 | 5509080 <i>Recommended spare parts</i> | CAVO MM.800 FAST.CIL.4-2,4 CABLE POUR PIEZO IGNITION PIPE L=800 MM ZUENDKABEL L=800 MM | |
| 27 | A00477 <i>Recommended spare parts</i> | ASS. PIEZO ASS. PIEZO ASS. PIEZO PIEZZO | |
| 28 | 770125510 | ASS. BACIN. RACC.OLIO LT.19 BASSA ASS.BAC RECUEILLE HUILE LT.19 BASSE 19 LT. OIL COLLECTING TANK ASS. ÖLABLAUFBEHÄLTER 19 LT. | |
| 29 | 750100150 | ASS.FILTRO BACIN.RACC.OLIO FG. ASS.FILTRE BAC RACC.HUILE FRITEUSE FILTER ASS. FOR OIL COLLECTING TANK FILTER FÜR OLABLAUFBEHALTER | |
| 30 | A00669 <i>Recommended spare parts</i> | ASS. VALVLA FRIGG. GAS ASS.VANNE FRITEUSE GAZ VALVE ASS. GAS FRYER VENTIL FÜR GASFRITEUSE | |
| 31 | A00685 | ASS. COND. VALV.PILOTA FG.L.12/17 ASS.CONDUITE VANNE VEILLEUSE FRIT. LT 12/17 PILOT PIPE ASS. PILOT LEITUNGSATZ | |
| 32 | 4398060 <i>Recommended spare parts</i> | CANDELA M4 TARGET NUOVO BOUGIE D'ALLUMAGE IGNITION PLUG ZUENDELEKTRODE | |
| 33 | A00583 | ASS. RONDELLA REGOL. ARIA ASS. RONDELLE REGLAGE DE L'AIR AIR ADJUSTMENT RING ASS. DICHTUNGSSCHEIBE SATZ FÜR LUFT REGELUNG | |
| 35 | UGELLO | VEDI TABELLA UGELLI MANUALE ISTRUZ. VOIR FICHER DES INJECTEURS SEE NOZZLE TABLE SIEHE DÜSEN TABELLE | |
| 39 | 4210163838 | GOMITO M-F 3/8 RACCORD COUDE M-F 3/8 MALE-FEMALE 3/8 ELBOW WEIBL-MENNLICH. 3/8 KNIE | |
| 40 | 241202700 | NIPPLO F. X RUBIN. DM.12-1/2 CONNECTEUR POUR ROBINET DM.12-1/2 NIPPLE FOR COCK DM.12-1/2 VERBIENDUNG FÜR HAHN DM.12-1/2 | |

| | | | |
|----|------------|---|--|
| 41 | 770120450 | ASS. TUBO ENT.1/2 INOX C/NIPPLO ASS.RACC.TUYAU 1/2 INOX AV/CONNECT. S/S INLET PIPE ASS. 1/2 W/NIPPLE ROHRSATZ IN EDELSTAHL 1/2 MIT VERBIENDUNG | |
| 44 | 241202290 | BICONO DM.12 BICONE DIAM.12 NOSE CONE DIAM.12 DOPPELKEGEL D.12 | |
| 45 | UGELLO | VEDI TABELLA UGELLI MANUALE ISTRUZ. VOIR FICHIER DES INJECTEURS SEE NOZZLE TABLE SIEHE DÜSEN TABELLE | |
| 46 | 241202310 | DADO BICONO DM.12 M20X1,5 ECROU DE BICONE DIAM.12 M20X1,5 SCREW FOR NOSE CONE DM.12 M20X1,5 DOPPELKEGELMUTTER D. 12 M20X1,5 | |
| 47 | 241202280 | NIPPLO PER VALVOLA DM.12,3 RACCORD FILETE POUR VANNE DM. 12,3 VALVE NIPPLE DM 12,3 VENTIL NIPPLE DM 12,3 | |
| 48 | A00666 | ASS. COND. ENTR. VALV. FRIG.23LT ASS.CONDUITE ARRIVE VANNE FRIT.23LT VALVE INLET PIPE ASS. VENTIL EINGANGSROHRSATZ | |
| 51 | 421022012 | MANICOTTO 1/2 GHISA ZINCATO DOUILLE 1/2 FONTE ZINGUE ZINC-PLATED CAST IRON SLEEVE 1/2 MUFFE IN VERZINKTEN GUSSEISEN 1/2 | |
| 52 | 4211401238 | NIPPLO RIDOTTO 1/2 - 3/8 ZINC. NIPPLE REDUITE 1/2-3/8 ZINGUE ZINC-PLATED REDUCING NIPPLE VERZINKTEN NIPPLO 1/2 -3/8 | |
| 56 | A00684 | ASS. COND. CENTR.ENT.GAS VALV.FRIG. ASS.CONDUITE CENTR.ARRIVE GAZ VANNE CENTRAL GAS INLET PIPE FOR VALVE ASS. ZENTRAL GAS EINGANGSLEITUNG FÜR VENTIL | |

TAVOLA 2



Listino componenti per pagina 2

| | | | |
|----|-----------|--|--|
| 1 | 290120510 | ASS. PIEDE FLANG. DM.58 REG.95-160 ASS. PIED FLANG.REGABLE 9 DM.58 FLANGED FOOT ASS. DM.58 REG.9 GEFLANSCHTER FUSS DM.58 REG.9 | |
| 2 | 770346560 | *ES*SUPP. CALAMITA DM.22 SUPP. AIMANT DM.22 UPPER MAGNET DM.22 OBEREN MAGNET DM.22 | |
| 3 | 4198808 | CALAMITA 22X3 GAMBO M6X10 AIMANT 22X3 - M6X10 MAGNET 22X3 - M6X10 MAGNET 22X3 - M6X10 | |
| 4 | 770112490 | ASS. CERNIERA SUPERIORE SX SUPP. CHARNIERE SUP. GAUCHE LEFT UPPER HINGE ASS. LINKE OBERE SCHARNIER | |
| 5 | 741201310 | BOCCOLA PER CERNIERA PORTINA BOUCLE POUR CHARN. PORTE BUSHING FOR DOOR HINGE BÜCHSE FÜR TÜR SCHARNIER | |
| 6 | 770116510 | ASS. CERNIERA INF. SX ARM. ASS. CHARN.INFER. GAUCHE ARMORE LEFT BOTTOM HINGE ASS.F.CUPBOARD LINKE UNTERE SCHARNIER F.SCHRANK | |
| 7 | 770116520 | ASS. CERNIERA INF. DX ARM. ASS. CHARN.INF. DROITE ARM. RIGHT BOTTOM HINGE ASS.F.CUPBOARD RECHTE UNTERE SCHARNIER F.SCHRANK | |
| 8 | 770112450 | ASS. CERNIERA SUPERIORE DX ASS.CHARNIERE SUPER.DROITE RIGHT UPPER HINGE ASS. RECHTE OBERE SCHARNIER | |
| 9 | A00518 | ASS.PORTINA SX ARMADIO NEUTRO STYLE ASS. PORTE GAUCHE PLACARD NEUTRE LEFT DOOR ASS.F.NEUTRAL CABINET LINKE TÜR FÜR NEUTRALSCHRANK | |
| 10 | A00517 | ASS.PORTINA DX ARMADIO NEUTRO STYLE ASS. PORTE DROITE PLACARD NEUTRE RIGHT DOOR ASS.F.NEUTRAL CABINET RECHTE TÜR FÜR NEUTRALSCHRANK | |