

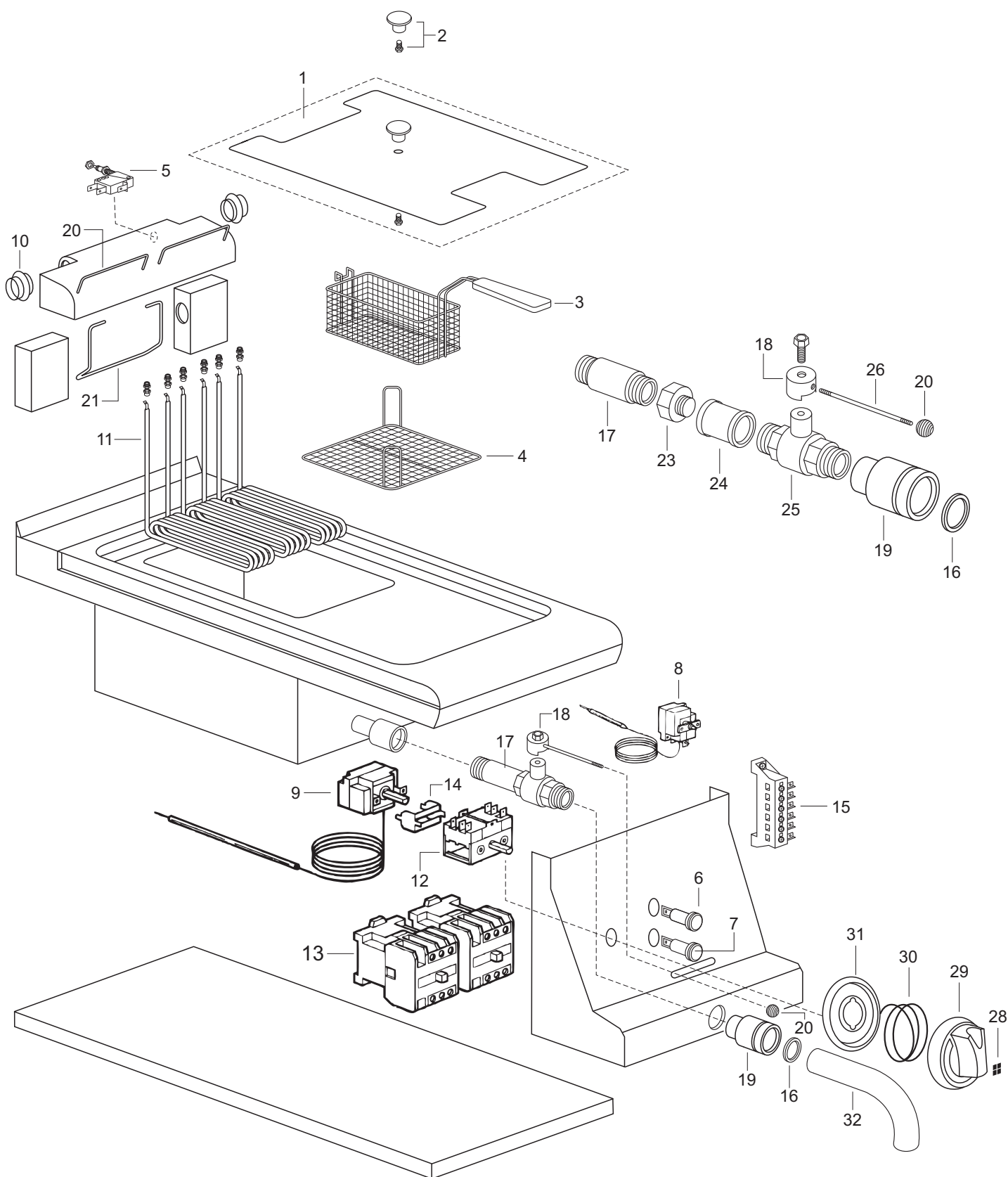
# **G7001**

---

**CATALOGO RICAMBI  
SPARE PARTS CATALOGUE  
CATALOGUE PIECES DETACHEES  
ERSATZTEILKATALOG  
CATALOGO DE PIEZAS DE RECAMBIO**

**FG7N703T**

---



## Listino componenti per pagina 1

1	A00650	ASS.COPERCHIO VASCA FG ELE LT12/17 ASS.COUCVERCLE BAC FRIT.ELE.LT.12/17 TANK LID ASS. DECKEL FÜR FRITEUSEN BECKEN LT12/17	
2	A00655	ASS.IMPUGNATURA FISSA P.131/35 M8 POIGNE COUCVERCLE FIXE P.131/35 M8 FIXED HANDLE P131/35 M8 ASS. FIXEM GRIFF SATZ P131/35 M8 ASS.	
3	270205500	CESTELLO DA 1/1 FG.LT.12 INVASO PANIER POUR FIRTEUSE Lt. 12 12 Lt. FRYER BASKET KORB FÜR FRITEUSE LT. 12	
4	270205650	RETINA SUPP.CESTINI FG-LT.12 INVASO GRILLAGE SUPP. PANIERS 12 LT. GRID FOR 12 LT. BASKET SUPPORT ROST FÜR 12 LT. KORB HALTERUNG	
5	539502 <u>Recommended spare parts</u>	MICROINTERRUPTORE MICROINTERRUPTEUR MICRO-SWITCH MIKROSCHALTER	
6	A00409 <u>Recommended spare parts</u>	ASS. LAMPADINA SPIA VERDE VOYANT VERT GREEN PILOT LIGHT GRUNE SIGNALLEUCHTE	
7	A00410 <u>Recommended spare parts</u>	ASS. LAMPADINA SPIA ARANCIO VOYANT ORANGE ORANGE PILOT LIGHT ORANGENE SIGNALLEUCHTE	
8	53400112220 <u>Recommended spare parts</u>	TERMOST. SIC. 220/10C° CAP.ING THERMOSTAT SECURITE MONOPH. 220° C SINGLE PHASE SAFETY THERMOSTAT 220° EINPH. SICHERHEITSTHERM. 220 C	
9	5340101 <u>Recommended spare parts</u>	TERMOSTATO 100-180°C CAP.ING. THERMOSTAT 100-180°C CAP.AVEC GAINÉ WORKING THERMOSTAT 100-180°C W/CAP. THERMOSTAT 100-180°C MIT KAPILLAR	
10	790343670	BOCCOLA PERNO SUPP.RE.FG.EL. S/ALZ COQUILLE PIVOT SUPPORT FRIT.EL. PIN BUSHING FOR HEATING ELEM. SUPPORT BÜCHSE FÜR OBERE BOLZE	
11	270205740 <u>Recommended spare parts</u>	RESIST. CORAZZ. FG.LT.12 3000W 230V RESISTENCE CUIRA.FRIT. LT.12 3000W ARMOURED HEATING ELEMENT 3000W 230V GEPANZERTEN HEIZKÖRPER 3000W 230V	
12	52002115 <u>Recommended spare parts</u>	INTERRUPTORE MONOFASE INTERRUPTEUR MONOPHASE SINGLE-PHASE SWITCH EINPHASIGER SCHALTER	
13	530024501 <u>Recommended spare parts</u>	CONTATTORE 3P 220/230V 25/9A CONTACTEUR 3P 220/230V 25/9A CONTACTOR 3P 220/230V 25/9A FERNSCHALTER	
14	5200996	FLANGIA AGGANCIO LUNGA REBORD D'ACCROCHAGE COUPLING FLANGE (LONG) KUPPLUNGSFLANSCH	
15	652502	MORSETTIERA FV 122 6 POLI BOITE A BORNES FV 122 6 POLS TERMINAL BOARD FV 122 6 POLES KLEMMKASTEN FV 122 6 POLEN	

16	370000130	ANELLO OR 130 ANEAUR OR 130 RING OR 130 RING OR 130	
17	770354640	TUBO SCARICO FG. LT.10 TUYAU DE VIDANGE FRIT. LT 10 DISCHARGE PIPE 10LT.FRYER ABLAUFROHR 10LT. FRITEUSE	
18	764301520	INNESTO LEVA VALV. FRIG. B-M EMBAYEUR VANNE FRITEUSE VALVE LEVER CLUTCH VENTIL HEBEL FÜR FRITEUSE	
19	760103840	(+)ASS. RACCORDO SCARICO FRIGG. RACCORDEMENTS D'EVACUATION DRAIN CONNECTION ABLAUFANSCHLUSS	
20	333302006	IMPUGNATURA A SFERA PS.20-M6 POIGNEE A BILLE PS.20-M6 HANDGRIP GRIFF	
21	764301600	TONDINO DI BLOCCAGGIO TIGE DE BLOCAGE BLOCKING BAR RUNDEISEN FÜR FIXIERUNG	
22	A00654	ASS.SUPPORTO CESTINI FG ASS.SUPPORT PANIERS FRITEUSE FRYER BASKET SUPPORT ASS. HÄLTERUNG FÜR FRITEUSE KÖRBE	
23	421304012	MANICOTTO M-F 529 DA 1/2 X15 DOUILLE M-F 529 DE 1/2 X 15 MALE-FEMALE SLEEVE 529 1/2X15 MENNLI-WEIBLICHEN MUFFE 529 1/2X15	
24	421022012	MANICOTTO 1/2 GHISA ZINCATO DOUILLE 1/2 FONTE ZINGUE ZINC-PLATED CAST IRON SLEEVE 1/2 MUFFE IN VERZINKTEN GUSSEISEN 1/2	
25	433206  <i><u>Recommended spare parts</u></i>	VALVOLA A SFERA 1/2 PER TUBO VANNE A BILLE 1/2 BALL VALVE 1/2 KUGEL-VENTIL 1/2	
26	764301540	LEVA VALVOLA FRIG. B-M LEVIER VANNE FRITEUSE VALVE LEVER HEBEL FÜR FRITEUSEN VENTIL	
28	LOGO	LOGO PER MANOPOLA LOGO POUR BOUTON LOGO FOR KNOBS LOGO FÜR KNEBEL	
29	770124760  <i><u>Recommended spare parts</u></i>	ASS. MANOP. EL.TERM.100-180°C STYLE ASS.BOUTON EL.THERM.100-180°C STYLE THERMOSTATIC EL.KNOB ASS. 100-180°C THERMOSTATISCHEN EL. KNEBELSATZ 100-180°C	
30	290202430  <i><u>Recommended spare parts</u></i>	MOLLA PER MANOPOLA RESSORT DE BOUTON KNOB SPRING KNEBELFEDER	
31	290204920  <i><u>Recommended spare parts</u></i>	BORCHIA PER MANOPOLA BLU ANNEAU POUR BOUTON BLEU BLUE RING FOR GAS KNOB BLAUEN RING FUER KNEBEL	

32	760302430 <i><u>Recommended spare parts</u></i>	TUBO SCARICO FRIGG/BM TUYAU DE VIDANGE FRITEUSE DRAIN PIPE ABLAUFROHR	
----	--	--	--