

# **G7001**

---

**CATALOGO RICAMBI  
SPARE PARTS CATALOGUE  
CATALOGUE PIECES DETACHEES  
ERSATZTEILKATALOG  
CATALOGO DE PIEZAS DE RECAMBIO**

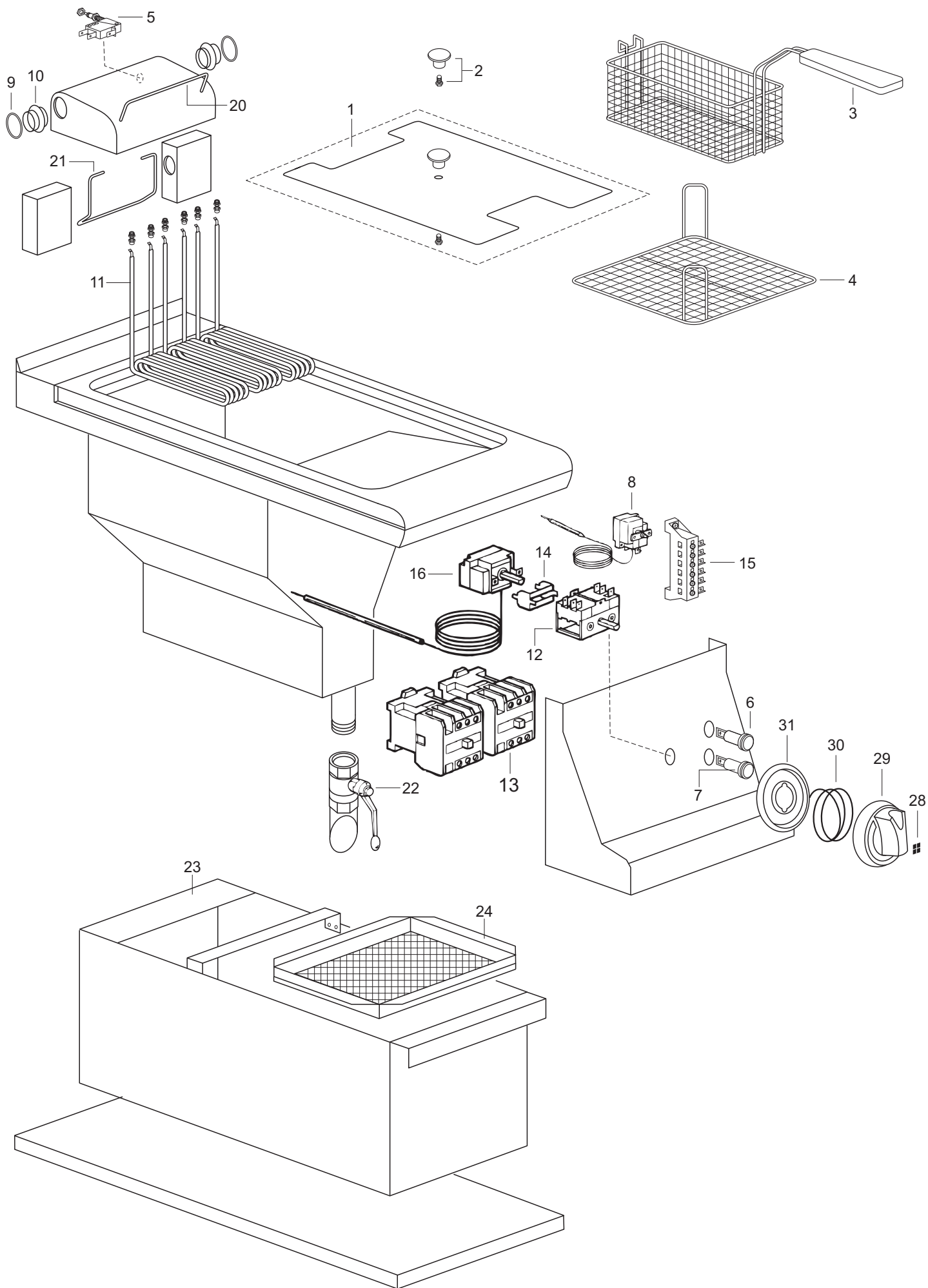
**FG7N704A**

**FG7N704S**

**FG7N705A**

**FG7N705S**

---

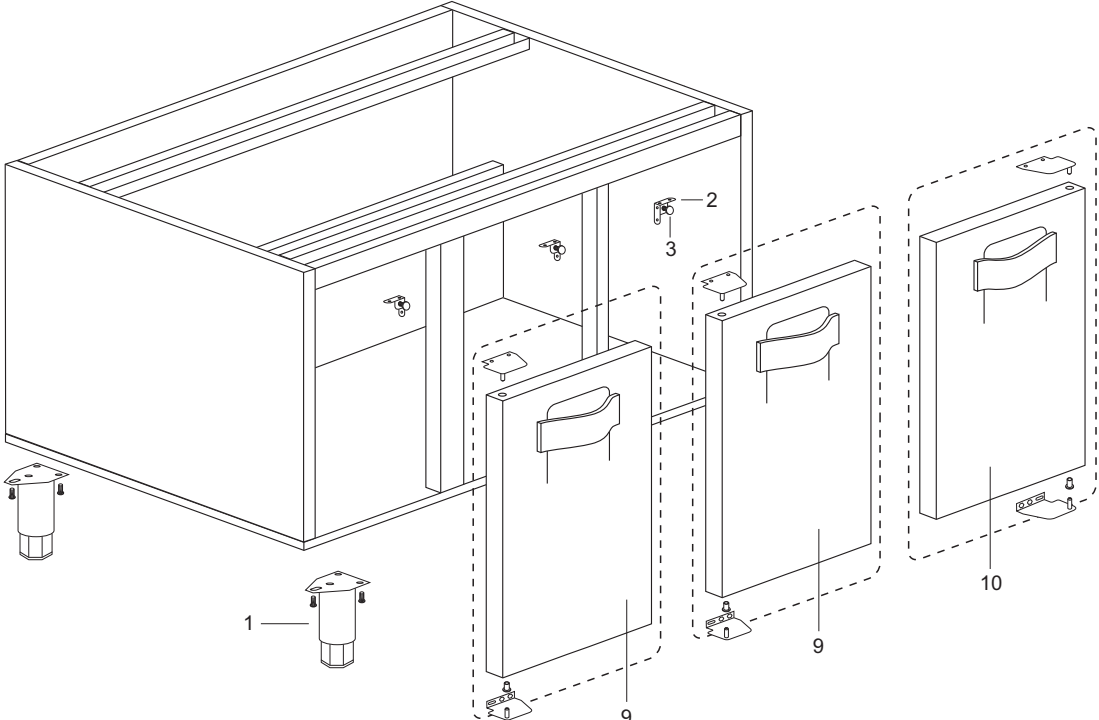
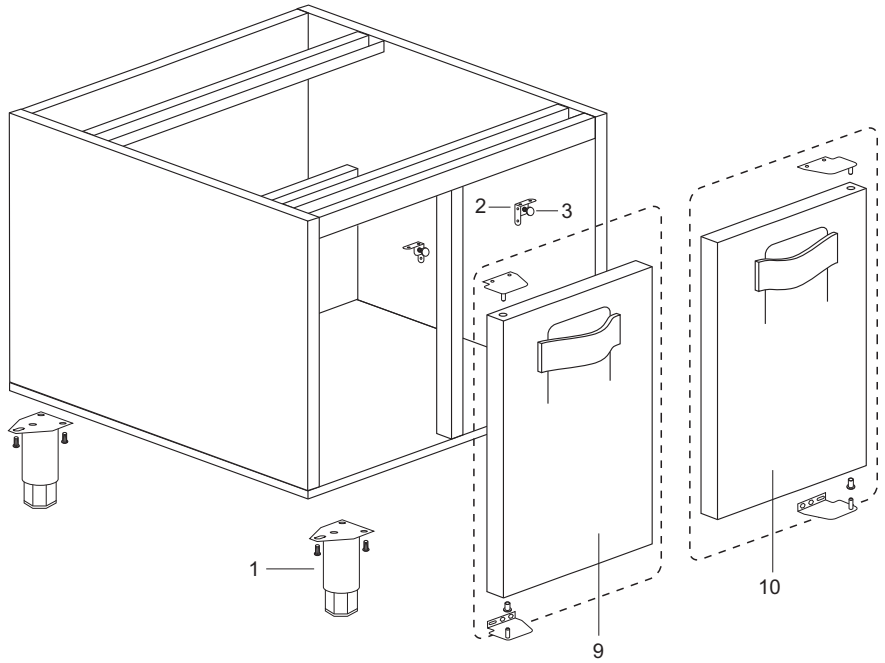
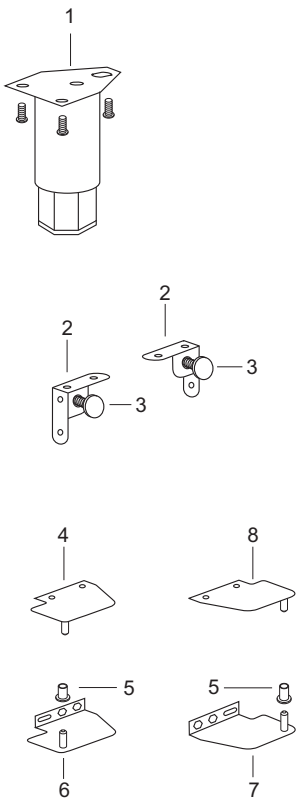
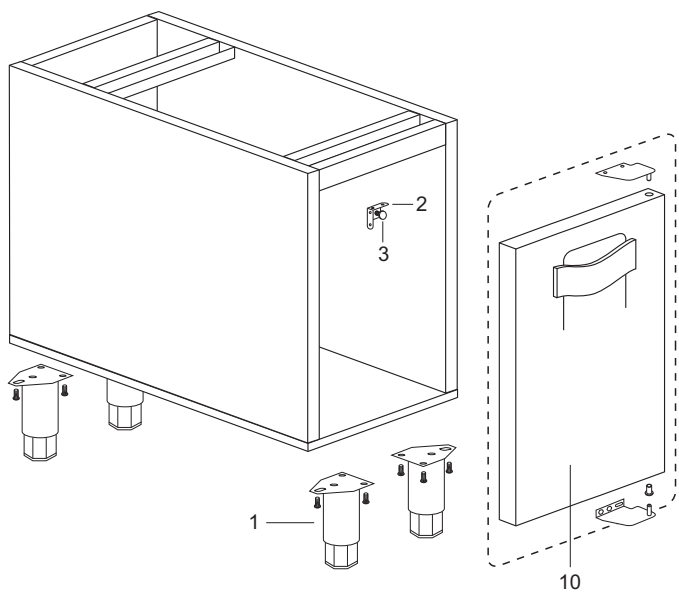


## Listino componenti per pagina 1

|    |   |  |  |
|----|---|--|--|
| 1  | A00650  | ASS.COPERCHIO VASCA FG ELE LT12/17<br>ASS.COUCVERCLE BAC FRIT.ELE.LT.12/17<br>TANK LID ASS.<br>DECKEL FÜR FRITEUSEN BECKEN LT12/17   |  |
| 2  | A00655  | ASS.IMPUGNATURA FISSA P.131/35 M8<br>POIGNE COUCVERCLE FIXE P.131/35 M8<br>FIXED HANDLE P131/35 M8 ASS.<br>FIXEM GRIFF SATZ P131/35 M8 ASS.  |  |
| 3  | 270205630   | CESTEL. 1/2(LT.6,5) FG.LT.17 INVASO<br>PANIER POUR FRITEUSE LT,18<br>18 Lt. FRYER BASKET<br>KORB FÜR FRITEUSE LT. 18   |  |
| 4  | 270205620   | RETINA SUPP.CESTINO FG LT.17 INVASO<br>GRILLAGE SUUP.PANIERS FRIT.LT17<br>17 LT. TANK FILTER ASS.<br>FILTER F.17 LT FRITEUSEN BECKEN   |  |
| 5  | 539502<br><u>Recommended<br/>spare parts</u>      | MICROINTERRUPTORE<br>MICROINTERRUPTEUR<br>MICRO-SWITCH<br>MIKROSCHALTER  |  |
| 6  | A00409<br><u>Recommended<br/>spare parts</u>      | ASS. LAMPADINA SPIA VERDE<br>VOYANT VERT<br>GREEN PILOT LIGHT<br>GRUNE SIGNALLEUCHTE   |  |
| 7  | A00410<br><u>Recommended<br/>spare parts</u>      | ASS. LAMPADINA SPIA ARANCIO<br>VOYANT ORANGE<br>ORANGE PILOT LIGHT<br>ORANGENE SIGNALLEUCHTE   |  |
| 8  | 53400112220<br><u>Recommended<br/>spare parts</u> | TERMOST. SIC. 220/10C° CAP.ING<br>THERMOSTAT SECURITE MONOPH. 220° C<br>SINGLE PHASE SAFETY THERMOSTAT 220°<br>EINPH. SICHERHEITSTHERM. 220 C  |  |
| 9  | 790345240   | DIST. BOCC. GUIDA SUPP.RES.FG.10+10<br>RONDELLE GLISS.SUP.RESISTENCE FRIT. 10+10 LT<br>GUIDE BUSHING SPECER FOR HEATING ELEM.SUPPORT<br>BÜCHSE ABSTANDSTÜCK FÜR OBERE HEIZKÖRPER HÄLTERU |  |
| 10 | 790343670   | BOCCOLA PERNO SUPP.RE.FG.EL. S/ALZ<br>COQUILLE PIVOT SUPPORT FRIT.EL.<br>PIN BUSHING FOR HEATING ELEM. SUPPORT<br>BÜCHSE FÜR OBERE BOLZE   |  |
| 11 | 270205750<br><u>Recommended<br/>spare parts</u>   | RESIST. CORAZZ. FG.LT.17 4500W 230V<br>RESIST.CUIRAS.FRIT.LT.17 4500W 230V<br>ARMOURED HEATING ELEM. 4500W<br>GEPANZERTEN HEIZKÖRPER 4500W   |  |
| 12 | 52002115<br><u>Recommended<br/>spare parts</u>    | INTERRUPTORE MONOFASE<br>INTERRUPTEUR MONOPHASE<br>SINGLE-PHASE SWITCH<br>EINPHASIGER SCHALTER   |  |
| 13 | 530024501<br><u>Recommended<br/>spare parts</u>   | CONTATTORE 3P 220/230V 25/9A<br>CONTACTEUR 3P 220/230V 25/9A<br>CONTACTOR 3P 220/230V 25/9A<br>FERNSCHALTER  |  |
| 14 | 5200996   | FLANGIA AGGANCIO LUNGA<br>REBORD D'ACCROCHAGE<br>COUPLING FLANGE (LONG)<br>KUPPLUNGSFLANSCH  |  |
| 15 | 652502  | MORSETTIERA FV 122 6 POLI<br>BOITE A BORNES FV 122 6 POLS<br>TERMINAL BOARD FV 122 6 POLES<br>KLEMMKASTEN FV 122 6 POLEN   |  |

|    |   |  |  |
|----|---|--|--|
| 16 | 5340101<br><i>Recommended spare parts</i>   | TERMOSTATO 100-180°C CAP.ING.<br>THERMOSTAT 100-180°C CAP.AVEC GAINE<br>WORKING THERMOSTAT 100-180°C W/CAP.<br>THERMOSTAT 100-180°C MIT KAPILLAR               |  |
| 20 | A00654                                      | ASS.SUPPORTO CESTINI FG<br>ASS.SUPPORT PANIERS FRITEUSE<br>FRYER BASKET SUPPORT ASS.<br>HÄLTERUNG FÜR FRITEUSE KÖRBE   |  |
| 21 | 764301600                                   | TONDINO DI BLOCCAGGIO<br>TIGE DE BLOCAGE<br>BLOCKING BAR<br>RUNDEISEN FÜR FIXIERUNG  |  |
| 22 | A00651<br><i>Recommended spare parts</i>    | ASS.VALVOLA A SFERA 1"G.S/2000 FF<br>ASS. VANNE A BILLE 1"G.S/2000 FF<br>1"G S/200 BALL VALVE ASS.<br>KUGELVENTIL SATZ 1"G.S/2000 FF                           |  |
| 23 | 770125510                                   | ASS. BACIN. RACC.OLIO LT.19 BASSA<br>ASS.BAC RECUEILLE HUILE LT.19 BASSE<br>19 LT. OIL COLLECTING TANK ASS.<br>ÖLABLAUFBEHÄLTER 19 LT.                         |  |
| 24 | 750100150                                   | ASS.FILTRO BACIN.RACC.OLIO FG.<br>ASS.FILTRE BAC RACC.HUILE FRITEUSE<br>FILTER ASS. FOR OIL COLLECTING TANK<br>FILTER FÜR ÖLABLAUFBEHALTER                     |  |
| 28 | LOGO  | LOGO PER MANOPOLA<br>LOGO POUR BOUTON<br>LOGO FOR KNOBS<br>LOGO FÜR KNEBEL   |  |
| 29 | 770124760<br><i>Recommended spare parts</i> | ASS. MANOP. EL.TERM.100-180°C STYLE<br>ASS.BOUTON EL.THERM.100-180°C STYLE<br>THERMOSTATIC EL.KNOB ASS. 100-180°C<br>THERMOSTATISCHEN EL. KNEBELSATZ 100-180°C |  |
| 30 | 290202430<br><i>Recommended spare parts</i> | MOLLA PER MANOPOLA<br>RESSORT DE BOUTON<br>KNOB SPRING<br>KNEBELFEDER  |  |
| 31 | 290204920<br><i>Recommended spare parts</i> | BORCHIA PER MANOPOLA BLU<br>ANNEAU POUR BOUTON BLEU<br>BLUE RING FOR GAS KNOB<br>BLAUEN RING FUER KNEBEL   |  |

TAVOLA 2



## Listino componenti per pagina 2

|    |           |  |  |
|----|-----------|--|--|
| 1  | 290120510 | ASS. PIEDE FLANG. DM.58 REG.95-160<br>ASS. PIED FLANG.REGABLE 9 DM.58<br>FLANGED FOOT ASS. DM.58 REG.9<br>GEFLANSCHTER FUSS DM.58 REG.9      |  |
| 2  | 770346560 | *ES*SUPP. CALAMITA DM.22<br>SUPP. AIMANT DM.22<br>UPPER MAGNET DM.22<br>OBEREN MAGNET DM.22  |  |
| 3  | 4198808   | CALAMITA 22X3 GAMBO M6X10<br>AIMANT 22X3 - M6X10<br>MAGNET 22X3 - M6X10<br>MAGNET 22X3 - M6X10   |  |
| 4  | 770112490 | ASS. CERNIERA SUPERIORE SX<br>SUPP. CHARNIERE SUP. GAUCHE<br>LEFT UPPER HINGE ASS.<br>LINKE OBERE SCHARNIER                                  |  |
| 5  | 741201310 | BOCCOLA PER CERNIERA PORTINA<br>BOUCLE POUR CHARN. PORTE<br>BUSHING FOR DOOR HINGE<br>BÜCHSE FÜR TÜR SCHARNIER                               |  |
| 6  | 770116510 | ASS. CERNIERA INF. SX ARM.<br>ASS. CHARN.INFER. GAUCHE ARMORE<br>LEFT BOTTOM HINGE ASS.F.CUPBOARD<br>LINKE UNTERE SCHARNIER F.SCHRANK        |  |
| 7  | 770116520 | ASS. CERNIERA INF. DX ARM.<br>ASS. CHARN.INF. DROITE ARM.<br>RIGHT BOTTOM HINGE ASS.F.CUPBOARD<br>RECHTE UNTERE SCHARNIER F.SCHRANK          |  |
| 8  | 770112450 | ASS. CERNIERA SUPERIORE DX<br>ASS.CHARNIERE SUPER.DROITE<br>RIGHT UPPER HINGE ASS.<br>RECHTE OBERE SCHARNIER                                 |  |
| 9  | A00518    | ASS.PORTINA SX ARMADIO NEUTRO STYLE<br>ASS. PORTE GAUCHE PLACARD NEUTRE<br>LEFT DOOR ASS.F.NEUTRAL CABINET<br>LINKE TÜR FÜR NEUTRALSCHRANK   |  |
| 10 | A00517    | ASS.PORTINA DX ARMADIO NEUTRO STYLE<br>ASS. PORTE DROITE PLACARD NEUTRE<br>RIGHT DOOR ASS.F.NEUTRAL CABINET<br>RECHTE TÜR FÜR NEUTRALSCHRANK |  |