

# **G9001**

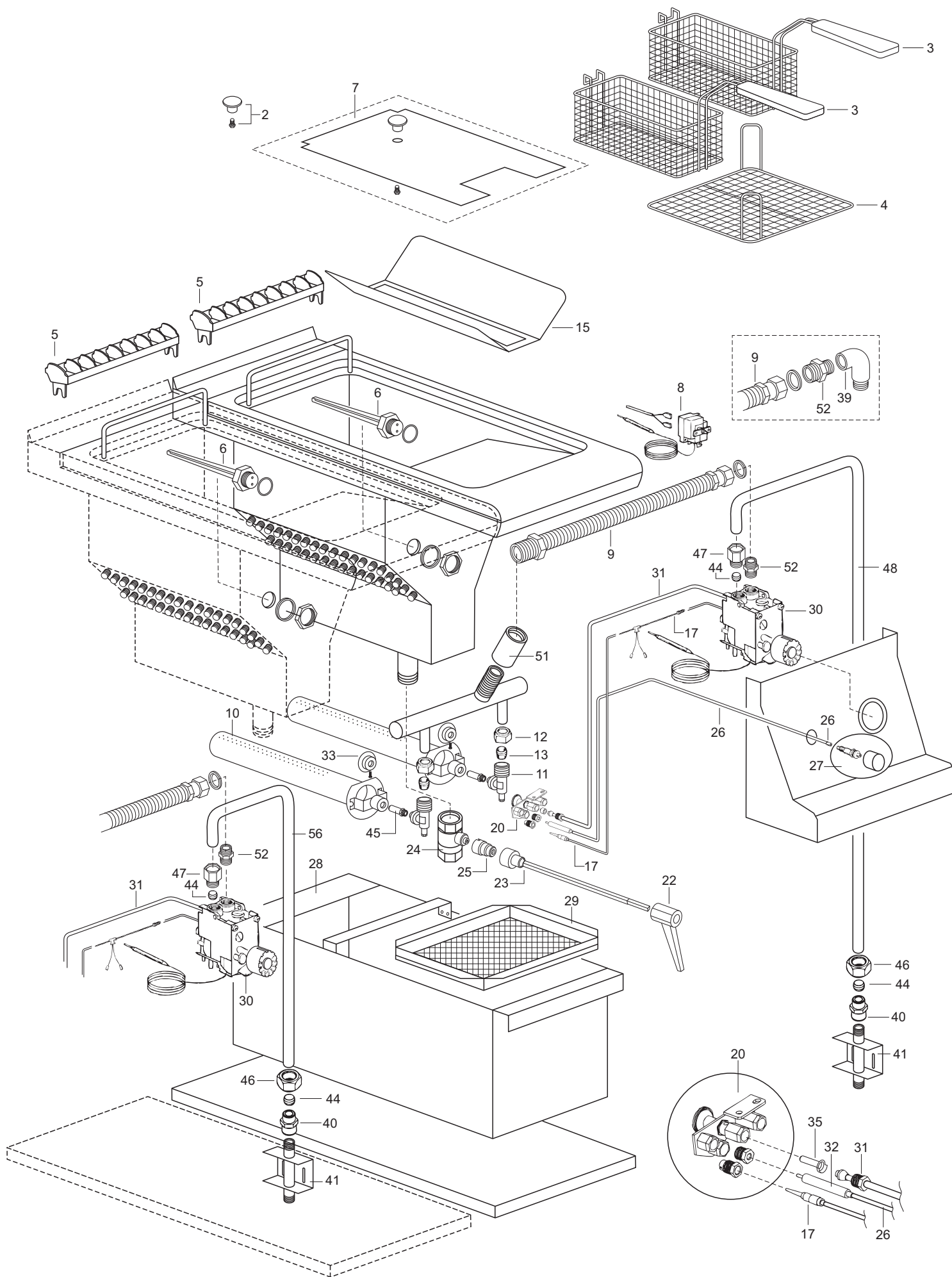
---

**CATALOGO RICAMBI  
SPARE PARTS CATALOGUE  
CATALOGUE PIECES DETACHEES  
ERSATZTEILKATALOG  
CATALOGO DE PIEZAS DE RECAMBIO**

**FG9N601A  
FG9N601S  
FG9N602A  
FG9N602S**

---

TAVOLA 1



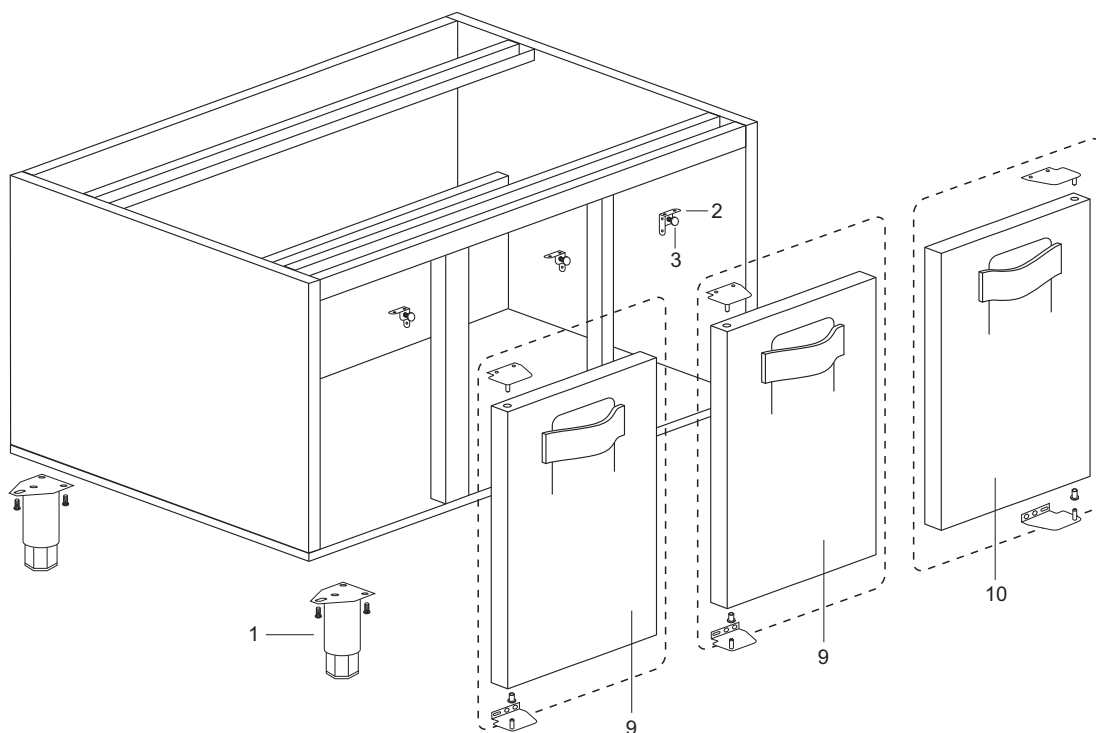
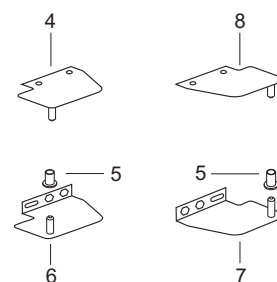
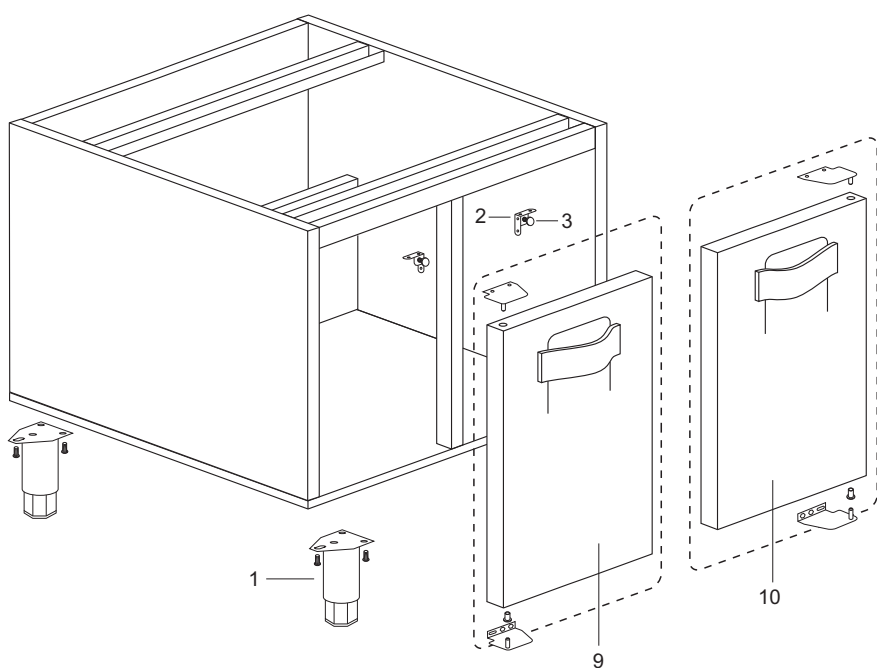
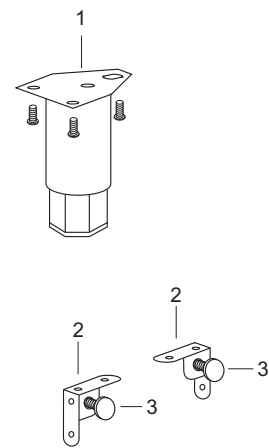
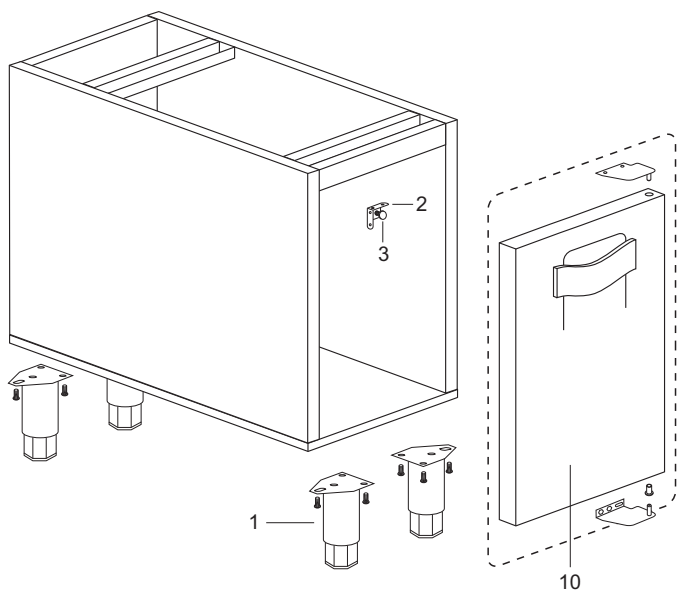
## Listino componenti per pagina 1

2	A00655	ASS.IMPUGNATURA FISSA P.131/35 M8 POIGNE COUVERCLE FIXE P.131/35 M8 FIXED HANDLE P131/35 M8 ASS. FIXEM GRIFF SATZ P131/35 M8 ASS.	
3	270205500	CESTELLO DA 1/1 FG.LT.12 INVASO PANIER POUR FRITEUSE Lt. 12 12 Lt. FRYER BASKET KORB FÜR FRITEUSE LT. 12	
4	270205650	RETINA SUPP.CESTINI FG-LT.12 INVASO GRILLAGE SUPP. PANIERS 12 LT. GRID FOR 12 LT. BASKET SUPPORT ROST FÜR 12 LT. KORB HALTERUNG	
5	270205480	GRIGLIA DI GHISA SCARICO FUMI PIANO GRILLE EN FONTE EVACUATION FUMES CAST IRON GRID F.FUMERISER GUSSEISEN ROST FUER ABGASE	
6	A00431	PORTABULBI CON DADO E GUARNIZIONE SUPPORT DE BULBES AVEC ECROU+JOINT BULBE SUPPORT W/SCREW & GASKET KOLBENHALTER M/MUTTER & DICHTUNG	
7	A00650	ASS.COPERCHIO VASCA FG ELE LT12/17 ASS.COUCVERCLE BAC FRIT.ELE.LT.12/17 TANK LID ASS. DECKEL FÜR FRITEUSEN BECKEN LT12/17	
8	A00668  <i>Recommended spare parts</i>	ASS. TERMOST. DI SIC. F.G. + CONT. ASS.THERMOST.DE SEC. FRITEUSE HIGHT LIMIT THERMOSTAT ASS. SICHERHEIT THERMOSTAT SATZ	
9	43151222	RACCORDO FLES. GAS 220-410 MFI/2 RACCORD FLEXIBLE GAZ 220-410 MFI/2 GAS FLEXIBLE GAS SCHLAUCH	
10	770125060	ASS. BRUC. MULTIGAS 11KW FG. LT.17 ASS.BRULEUR MULTIGAZ 11 KW MULTIGAS BURNER 11 KW. MULTIGAS BRENNER 11 KW.	
11	A00581	ASS.GOMITO A 90° M20-M14 LUNGO 6 ASS.RACCORD 90° M20-M14 LONGUE 6 90° ELBOW ASS M20-M14 ELBOGENROHR SATZ 90°M20-M14	
12	270201680	DADO PER BICONO 10/S-M20X1,5 ECROU POUR BICONE 10/S-M20X1,5 NUT FOR NOSE CONE 10/S-M20X1,5 MUTTER FUER BICONE 10/S-M20X1,5	
13	270201580	BICONO DM.10 S BICONE DIAM.10 S NOSE CONE DIAM.10 S BICONE DIAM.10 S	
15	770126030	ASS. PROT.INT.FONDO VASCA FG.LT.12 ASS.PROTEC.INT.FOND BAC FRITEUSE TANK BOTTOM PROTECTION ASS. GAS FRYER BECKEN BODEN SCHUTZ FÜR GAS FRITEU SE	
17	4343106  <i>Recommended spare parts</i>	TERMOCOPPIA INT.M9X1 L=850 THERMOCOUPLE M9X1 L=600 THERMOCOUPLE M9X1 L=600 THERMOELEMENT M9X1 L=600	
20	A00664  <i>Recommended spare parts</i>	ASS. PILOTA ACC. 3-VIE M10X1 321 ASS.VEILLEUSE ALL.3 VOIS M10X1 321 3-WAY IGNITION PILOT ASS. 3-WEGE ZÜNDUNG PILOT SATZ.	

22	3331080880	MANIGLIA A LEVA MOD.MF.80N 8X8 LEVIER MF 80N 8X8 HANDLE MF 80N 8X8 GRIFF MF 80N 8X8	
23	790118180	ASS. PROLUNGA PER VALVOLA ASS.RALLONGE POUR VANNE VALVE EXTENTION ASS. VENTIL VERLÄNGERUNG SATZ.	
24	4332010 <i>Recommended spare parts</i>	VALVOLA A SFERA 1"G.S/2000 FF VANNE A BILLE 1" F-F- BALL VALVE 1" F-F- KUGELVENTIL 1"F-F- DROSSEL	
25	770338950	INNESTO VALVOLA F.G. EMBRAYAGE VANNE FRITEUSE GAS FRYER VALVE CLUTCH VENTIL KUPPLUNG FÜR GASFRITEUSE	
26	5509080	CAVO MM.800 FAST.CIL.4-2,4 CABLE POUR PIEZO IGNITION PIPE L=800 MM ZUENDKABEL L=800 MM	
27	A00477 <i>Recommended spare parts</i>	ASS. PIEZO ASS. PIEZO ASS. PIEZO PIEZZO	
28	770125510	ASS. BACIN. RACC. OLIO LT.19 BASSA ASS.BAC RECUEILLE HUILE LT.19 BASSE 19 LT. OIL COLLECTING TANK ASS. ÖLABLAUFBEHÄLTER 19 LT.	
29	750100150	ASS.FILTRO BACIN.RACC.OLIO FG. ASS.FILTRE BAC RACC.HUILE FRITEUSE FILTER ASS. FOR OIL COLLECTING TANK FILTER FÜR OLABLAUFBEHALTER	
30	A00669 <i>Recommended spare parts</i>	ASS. VALVLA FRIGG. GAS ASS.VANNE FRITEUSE GAZ VALVE ASS. GAS FRYER VENTIL FÜR GASFRITEUSE	
31	A00661	ASS.CONDUIT.PILOTA FRIGG. LT.23 900 ASS.CONDUITE VEILLEUSE FRIT.LT 23. PILOT PIPE ASS. PILOT LEITUNGSATZ	
32	4398060 <i>Recommended spare parts</i>	CANDELA M4 TARGET NUOVO BOUGIE D'ALLUMAGE IGNITION PLUG ZUENDELEKTRODE	
33	A00583	ASS. RONDELLA REGOL. ARIA ASS. RONDELLE REGLAGE DE L'AIR AIR ADJUSTMENT RING ASS. DICHTUNGSSCHEIBE SATZ FÜR LUFT REGELUNG	
35	UGELLO	VEDI TABELLA UGELLI MANUALE ISTRUZ. VOIR FICHER DES INJECTEURS SEE NOZZLE TABLE SIEHE DÜSEN TABELLE	
40	241202700	NIPPLO F. X RUBIN. DM.12-1/2 CONNECTEUR POUR ROBINET DM.12-1/2 NIPPLE FOR COCK DM.12-1/2 VERBIENDUNG FÜR HAHN DM.12-1/2	
41	770120450	ASS. TUBO ENT.1/2 INOX C/NIPPLO ASS.RACC.TUYAU 1/2 INOX AV/CONNECT. S/S INLET PIPE ASS. 1/2 W/NIPPLE ROHRSATZ IN EDELSTAHL 1/2 MIT VERBIENDUNG	

44	241202290	BICONO DM.12 BICONE DIAM.12 NOSE CONE DIAM.12 DOPPELKEGEL D.12	
45	UGELLO	VEDI TABELLA UGELLI MANUALE ISTRUZ. VOIR FICHIER DES INJECTEURS SEE NOZZLE TABLE SIEHE DÜSEN TABELLE	
46	241202310	DADO BICONO DM.12 M20X1,5 ECROU DE BICONE DIAM.12 M20X1,5 SCREW FOR NOSE CONE DM.12 M20X1,5 DOPPELKEGELMUTTER D. 12 M20X1,5	
47	241202280	NIPPLO PER VALVOLA DM.12,3 RACCORD FILETE POUR VANNE DM. 12,3 VALVE NIPPLE DM 12,3 VENTIL NIPPLE DM 12,3	
48	A00666	ASS. COND. ENTR. VALV. FRIG.23LT ASS.CONDUITE ARRIVE VANNE FRIT.23LT VALVE INLET PIPE ASS. VENTIL EINGANGSROHRSATZ	
51	421022012	MANICOTTO 1/2 GHISA ZINCATO DOUILLE 1/2 FONTE ZINGUE ZINC-PLATED CAST IRON SLEEVE 1/2 MUFFE IN VERZINKTEN GUSSEISEN 1/2	
52	4211401238	NIPPLO RIDOTTO 1/2 - 3/8 ZINC. NIPPLE REDUITE 1/2-3/8 ZINGUE ZINC-PLATED REDUCING NIPPLE VERZINKTEN NIPPLO 1/2 -3/8	
56	A00684	ASS. COND. CENTR.ENT.GAS VALV.FRIG. ASS.CONDUITE CENTR.ARRIVE GAZ VANNE CENTRAL GAS INLET PIPE FOR VALVE ASS. ZENTRAL GAS EINGANGSLEITUNG FÜR VENTIL	

TAVOLA 2



## Listino componenti per pagina 2

1	290120510	ASS. PIEDE FLANG. DM.58 REG.95-160 ASS. PIED FLANG.REGABLE 9 DM.58 FLANGED FOOT ASS. DM.58 REG.9 GEFLANSCHTER FUSS DM.58 REG.9	
2	770346560	*ES*SUPP. CALAMITA DM.22 SUPP. AIMANT DM.22 UPPER MAGNET DM.22 OBEREN MAGNET DM.22	
3	4198808	CALAMITA 22X3 GAMBO M6X10 AIMANT 22X3 - M6X10 MAGNET 22X3 - M6X10 MAGNET 22X3 - M6X10	
4	770112490	ASS. CERNIERA SUPERIORE SX SUPP. CHARNIERE SUP. GAUCHE LEFT UPPER HINGE ASS. LINKE OBERE SCHARNIER	
5	741201310	BOCCOLA PER CERNIERA PORTINA BOUCLE POUR CHARN. PORTE BUSHING FOR DOOR HINGE BÜCHSE FÜR TÜR SCHARNIER	
6	770116510	ASS. CERNIERA INF. SX ARM. ASS. CHARN.INFER. GAUCHE ARMORE LEFT BOTTOM HINGE ASS.F.CUPBOARD LINKE UNTERE SCHARNIER F.SCHRANK	
7	770116520	ASS. CERNIERA INF. DX ARM. ASS. CHARN.INF. DROITE ARM. RIGHT BOTTOM HINGE ASS.F.CUPBOARD RECHTE UNTERE SCHARNIER F.SCHRANK	
8	770112450	ASS. CERNIERA SUPERIORE DX ASS.CHARNIERE SUPER.DROITE RIGHT UPPER HINGE ASS. RECHTE OBERE SCHARNIER	
9	A00518	ASS.PORTINA SX ARMADIO NEUTRO STYLE ASS. PORTE GAUCHE PLACARD NEUTRE LEFT DOOR ASS.F.NEUTRAL CABINET LINKE TÜR FÜR NEUTRALSCHRANK	
10	A00517	ASS.PORTINA DX ARMADIO NEUTRO STYLE ASS. PORTE DROITE PLACARD NEUTRE RIGHT DOOR ASS.F.NEUTRAL CABINET RECHTE TÜR FÜR NEUTRALSCHRANK	