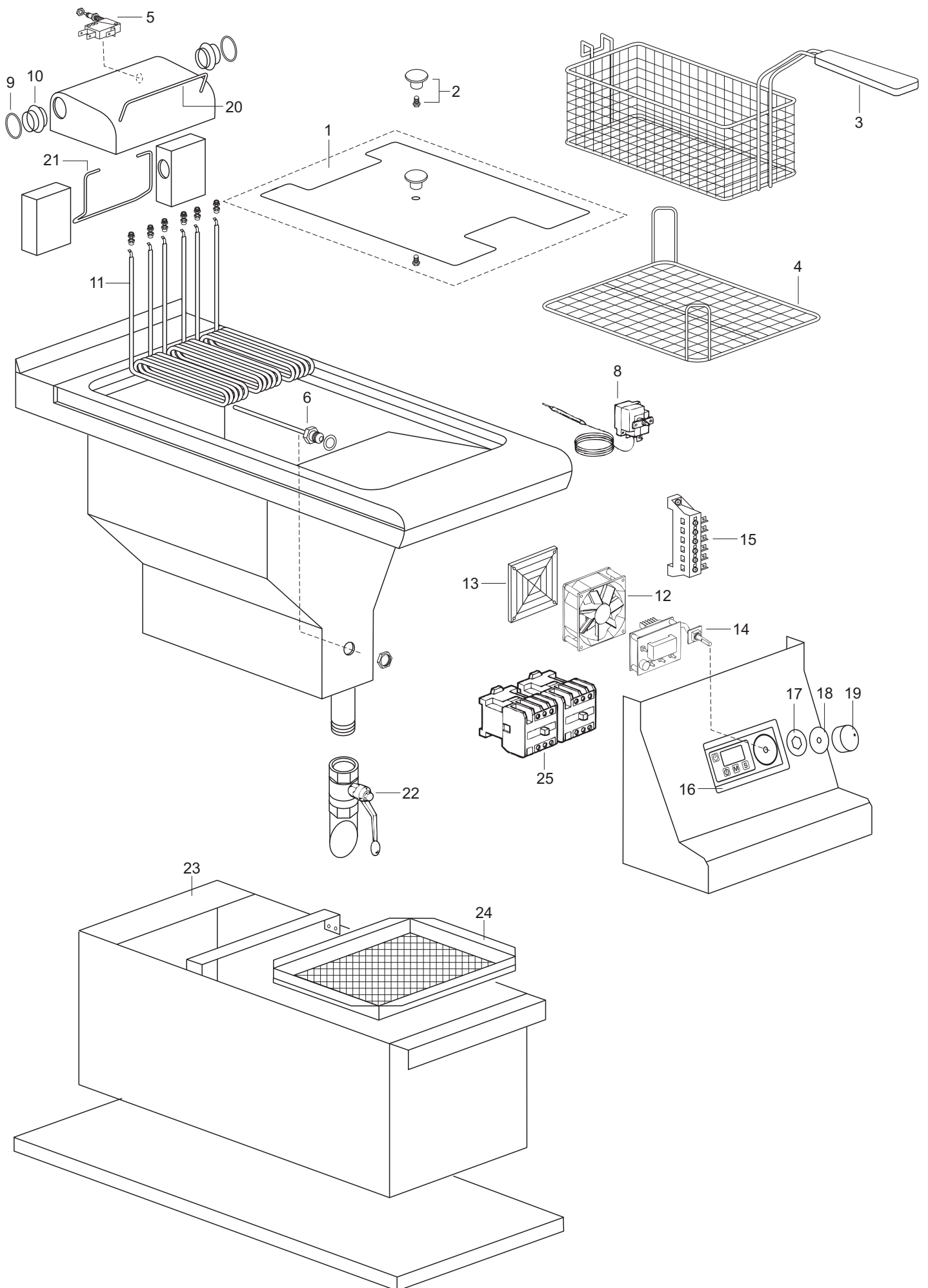


G9001

**CATALOGO RICAMBI
SPARE PARTS CATALOGUE
CATALOGUE PIECES DETACHEES
ERSATZTEILKATALOG
CATALOGO DE PIEZAS DE RECAMBIO**

**FG9N704AE
FG9N705AE**

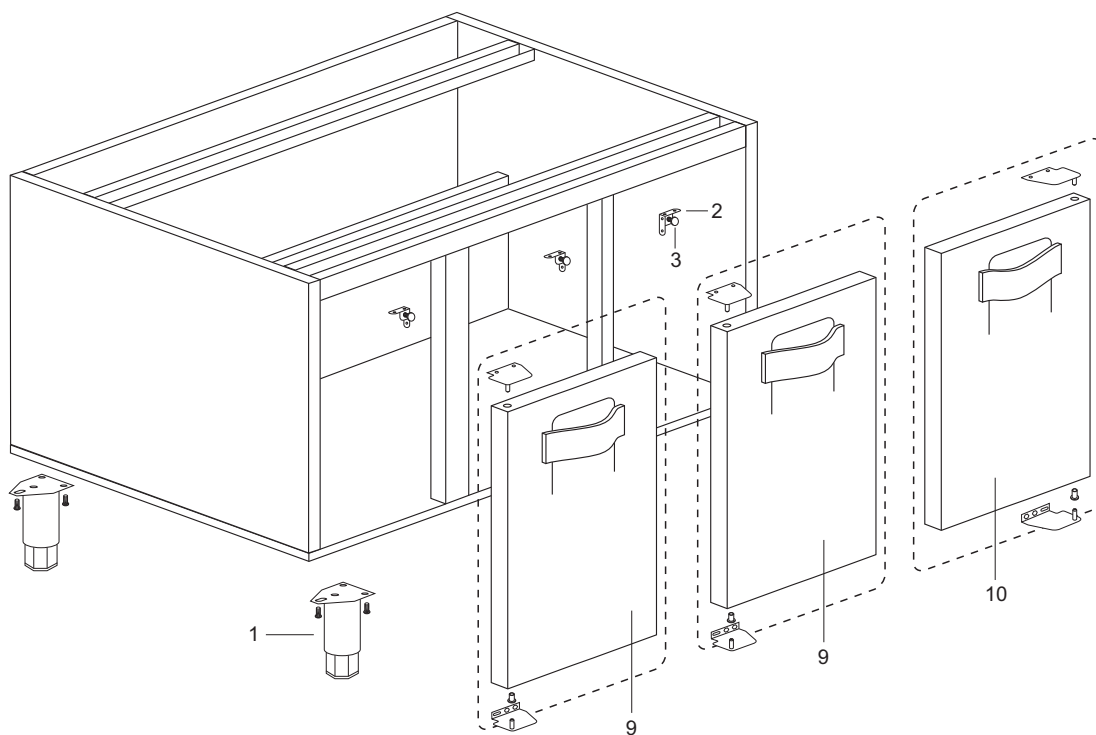
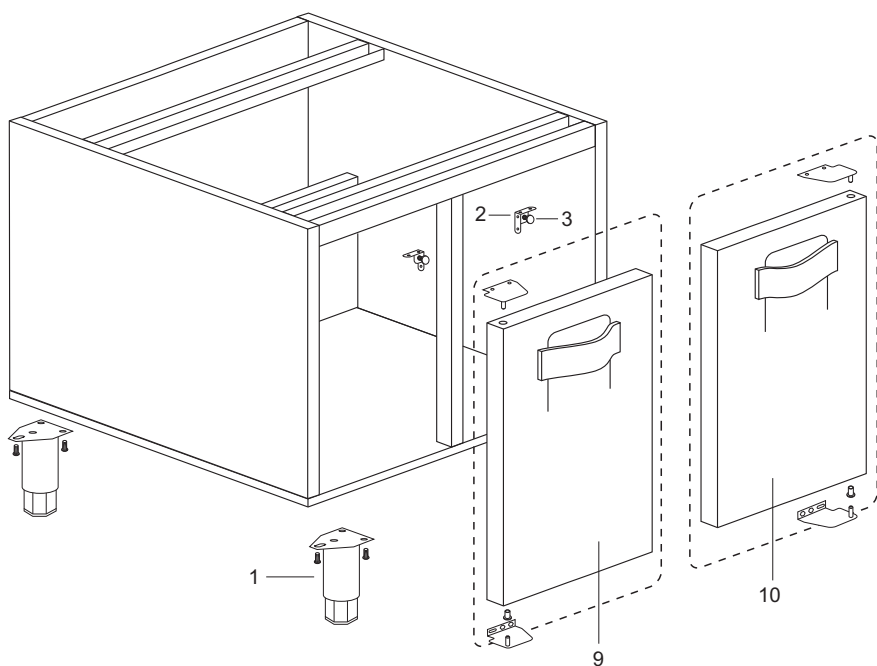
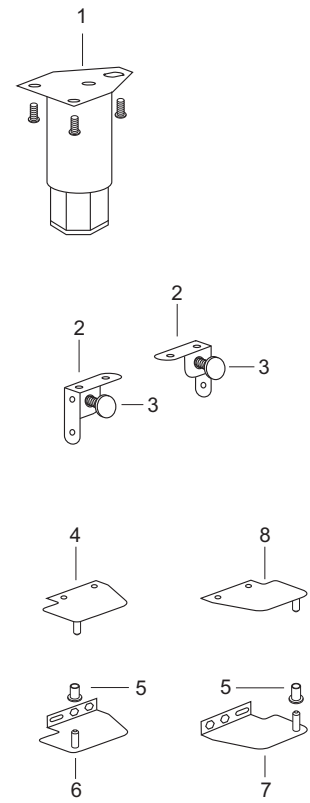
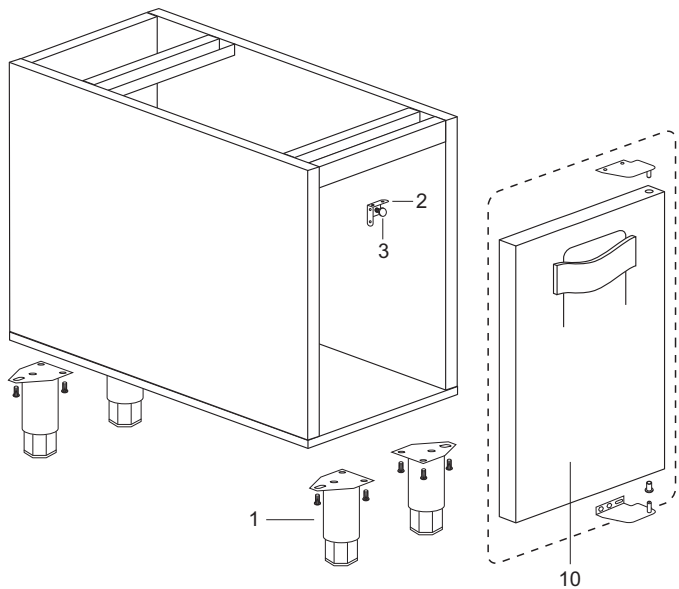


Pagina 1

1	A00650	ASS.COPERCHIO VASCA FG ELE LT12/17 ASS.COUCVERCLE BAC FRIT.ELE.LT.12/17 TANK LID ASS. DECKEL FÜR FRITEUSEN BECKEN LT12/17	
2	A00655	ASS.IMPUGNATURA FISSA P.131/35 M8 POIGNE COUVERCLE FIXE P.131/35 M8 FIXED HANDLE P131/35 M8 ASS. FIXEM GRIFF SATZ P131/35 M8 ASS.	
3	270205630	CESTEL. 1/2(LT.6,5) FG.LT.17 INVASO PANIER POUR FRITEUSE LT,18 18 Lt. FRYER BASKET KORB FÜR FRITEUSE LT. 18	
4	270205620	RETINA SUPP.CESTINO FG LT.17 INVASO GRILLAGE SUUP.PANIERS FRIT.LT17 17 LT. TANK FILTER ASS. FILTER F.17 LT FRITEUSEN BECKEN	
5	539502	MICROINTERRUPTORE MICROINTERRUPTEUR MICRO-SWITCH MIKROSCHALTER	
6	A00652	ASS.SONDA J 6X120 L=1000 ASS.SONDE J 6X120 L=1000 PROBE J 6X120 L=1000 ASS. FÜHLER SATZ J 6X120 L=1000	
8	53400112220	TERMOST. SIC. 220/10C° CAP.ING THERMOSTAT SECURITE MONOPH. 220° C SINGLE PHASE SAFETY THERMOSTAT 220° EINPH. SICHERHEITSTHERM. 220 C	
9	790345240	DIST. BOCC. GUIDA SUPP.RES.FG.10+10 RONDELLE GLISS.SUP.RESISTENCE FRIT. 10+10 LT GUIDE BUSHING SPECER FOR HEATING ELEM.SUPPORT BÜCHSE ABSTANDSTÜCK FÜR OBERE HEIZKÖRPER HÄLTERU	
10	790343670	BOCCOLA PERNO SUPP.RE.FG.EL. S/ALZ COQUILLE PIVOT SUPPORT FRIT.EL. PIN BUSHING FOR HEATING ELEM. SUPPORT BÜCHSE FÜR OBERE BOLZE	
11	270205750	RESIST. CORAZZ. FG.LT.17 4500W 230V RESIST.CUIRAS.FRIT.LT.17 4500W 230V ARMOURED HEATING ELEM. 4500W GEPANZERTEN HEIZKÖRPER 4500W	
12	507011	VENTILATORE CS 80X80X25 220V AC VENTILATEUR CS 80X80X25 220V AC FAN CS 80X80X25 220V AC VENTILATOR CS 80X80X25 220V AC	
13	5413080080	GRIGLIA PLASTICA 80X80 GRILLE PLASTIQUE 80X80 PLASTIC GRID 80X80 KUNSTOFF ROST 80X80	
14	A00653	ASS.SCHEDA ELETTRONICA FG ASS.FICHE ELECTRONIQUE FRITEUSE FRYER ELECTRONIC BOARD.ASS. ELEKTRONISCHE PLATINE FÜR FRITEUSE	
15	652502	MORSETTIERA FV 122 6 POLI BOITE A BORNES FV 122 6 POLS TERMINAL BOARD FV 122 6 POLES KLEMMKASTEN FV 122 6 POLEN	
16	270205320	SERIGRAFIA FRIGG. COM. ELETTRONICI SERIGRAFIE FRITEUSE COMM.ELECTR. SERIGRAPHY FOR FRYER W/ELECTRONIC CONTROLS FILMDRUCK FÜR ELEKTRONISCHE PLATINE FÜR FRITEUSE	

17	790345220	ROND. AMAGNETICA 28X11ES*2FG DIGIT. RONDELLE AMAGNETIQUE 28X11 FRIT.DIG NONMAGNET RING 28X11ES AMAGNETIGEN RING 28X11ES	
18	290205250	GUARNIZ. MANOP. SCHEDA FG. DIGIT. JOINTE BOUTON FICHE FRIT.DIGITALE SEAL FOR BOARD KNOB DICHTUNG FÜR KNEBEL ELEKTRONISCHE FRITEUSEN PLATIN	
19	293204040	MANOPOLA ENCODER BOUTON ENCODER ENCODER KNOB ENCODER KNEBEL	
20	A00654	ASS.SUPPORTO CESTINI FG ASS.SUPPORT PANIERS FRITEUSE FRYER BASKET SUPPORT ASS. HÄLTERUNG FÜR FRITEUSE KÖRBE	
21	764301600	TONDINO DI BLOCCAGGIO TIGE DE BLOCAGE BLOCKING BAR RUNDEISEN FÜR FIXIERUNG	
22	A00651	ASS.VALVOLA A SFERA 1"G.S/2000 FF ASS. VANNE A BILLE 1"G.S/2000 FF 1"G S/200 BALL VALVE ASS. KUGELVENTIL SATZ 1"G.S/2000 FF	
23	770125510	ASS. BACIN. RACC.OLIO LT.19 BASSA ASS.BAC RECUEILLE HUILE LT.19 BASSE 19 LT. OIL COLLECTING TANK ASS. ÖLABLAUFBEHÄLTER 19 LT.	
24	750100150	ASS.FILTRO BACIN.RACC.OLIO FG. ASS.FILTRE BAC RACC.HUILE FRITEUSE FILTER ASS. FOR OIL COLLECTING TANK FILTER FÜR OLABLAUFBEHALTER	
25	530024501	CONTATTORE 3P 220/230V 25/9A CONTACTEUR 3P 220/230V 25/9A CONTACTOR 3P 220/230V 25/9A FERNSCHALTER	

TAVOLA 2



Pagina 2

1	290120510	ASS. PIEDE FLANG. DM.58 REG.95-160 ASS. PIED FLANG.REGABLE 9 DM.58 FLANGED FOOT ASS. DM.58 REG.9 GEFLANSCHTER FUSS DM.58 REG.9	
2	770346560	*ES*SUPP. CALAMITA DM.22 SUPP. AIMANT DM.22 UPPER MAGNET DM.22 OBEREN MAGNET DM.22	
3	4198808	CALAMITA 22X3 GAMBO M6X10 AIMANT 22X3 - M6X10 MAGNET 22X3 - M6X10 MAGNET 22X3 - M6X10	
4	770112490	ASS. CERNIERA SUPERIORE SX SUPP. CHARNIERE SUP. GAUCHE LEFT UPPER HINGE ASS. LINKE OBERE SCHARNIER	
5	741201310	BOCCOLA PER CERNIERA PORTINA BOUCLE POUR CHARN. PORTE BUSHING FOR DOOR HINGE BÜCHSE FÜR TÜR SCHARNIER	
6	770116510	ASS. CERNIERA INF. SX ARM. ASS. CHARN.INFER. GAUCHE ARMORE LEFT BOTTOM HINGE ASS.F.CUPBOARD LINKE UNTERE SCHARNIER F.SCHRANK	
7	770116520	ASS. CERNIERA INF. DX ARM. ASS. CHARN.INF. DROITE ARM. RIGHT BOTTOM HINGE ASS.F.CUPBOARD RECHTE UNTERE SCHARNIER F.SCHRANK	
8	770112450	ASS. CERNIERA SUPERIORE DX ASS.CHARNIERE SUPER.DROITE RIGHT UPPER HINGE ASS. RECHTE OBERE SCHARNIER	
9	A00518	ASS.PORTINA SX ARMADIO NEUTRO STYLE ASS. PORTE GAUCHE PLACARD NEUTRE LEFT DOOR ASS.F.NEUTRAL CABINET LINKE TÜR FÜR NEUTRALSCHRANK	
10	A00517	ASS.PORTINA DX ARMADIO NEUTRO STYLE ASS. PORTE DROITE PLACARD NEUTRE RIGHT DOOR ASS.F.NEUTRAL CABINET RECHTE TÜR FÜR NEUTRALSCHRANK	