



**Fryers**  
**GFD Range**  
**GFD35**  
**GFD45**  
**GFD65**



**Spare Parts**



**GFD 35**

**GFD 45**

**GFD 65**

---

## INDEX

MACHINE SPEC INFORMATION.....	3
BODY UNIT.....	4
BURNER COMPONENTS.....	7
GAS INLET MANIFOLD.....	10
OIL RETURN ( STAND ALONE ).....	12
CONTROL PANEL.....	14
POWER SUPPLY BOX.....	16






Machine Spec Information

GFD 35  
GFD 45  
GFD 65



GAS FRYERS - 'GFD' RANGE

The 'GFD' range of gas fryers use a more thermally efficient tube fired heating system, creating a larger heat transfer area. Faster recovery times and a larger cool zone are two essential features for any fryer.

MODEL	DESCRIPTION	ORDER CODE
<p><b>GFD35</b></p>  <p><b>Dimensions</b> W 397mm D 763mm H 1224mm</p>	<p>The GFD35 gas fryer is a free standing fryer constructed in stainless steel. The fryer comes complete with electronic ignition, flame failure and a deep cool zone. The deep set flame tubes are widely spaced to allow for cleaning and the oil drain is wide bore to prevent clogging. (19 Ltrs)</p> <p><b>Capacity - 65lb 1/4" frozen french fries per hour.</b></p>	<p><b>Gas</b> 26.38kW (90,000 BTU) 230/50/1 - 13 amp</p> <p><b>GFD35-14</b></p>
<p><b>GFD45</b></p>  <p><b>Dimensions</b> W 397mm D 763mm H 1224mm</p>	<p>The GFD45 gas fryer is a free standing fryer constructed in stainless steel. The fryer comes complete with electronic ignition, flame failure and a deep cool zone. The deep set flame tubes are widely spaced to allow for cleaning and the oil drain is wide bore to prevent clogging. (21 Ltrs)</p> <p><b>Capacity - 100lb 1/4" frozen french fries per hour.</b></p>	<p><b>Gas</b> 35.17kW (120,000 BTU) 230/50/1 - 13 amp</p> <p><b>GFD45-14</b></p>
<p><b>GFD65</b></p>  <p><b>Dimensions</b> W 538mm D 763mm H 1224mm</p>	<p>The GFD65 gas fryer is a free standing fryer constructed in stainless steel. The fryer comes complete with electronic ignition, flame failure and a deep cool zone. The deep set flame tubes are widely spaced to allow for cleaning and the oil drain is wide bore to prevent clogging. (29 Ltrs)</p> <p><b>Capacity - 115lb 1/4" frozen french fries per hour.</b></p>	<p><b>Gas</b> 43.96kW (150,000 BTU) 230/50/1 - 13 amp</p> <p><b>GFD65-14</b></p>

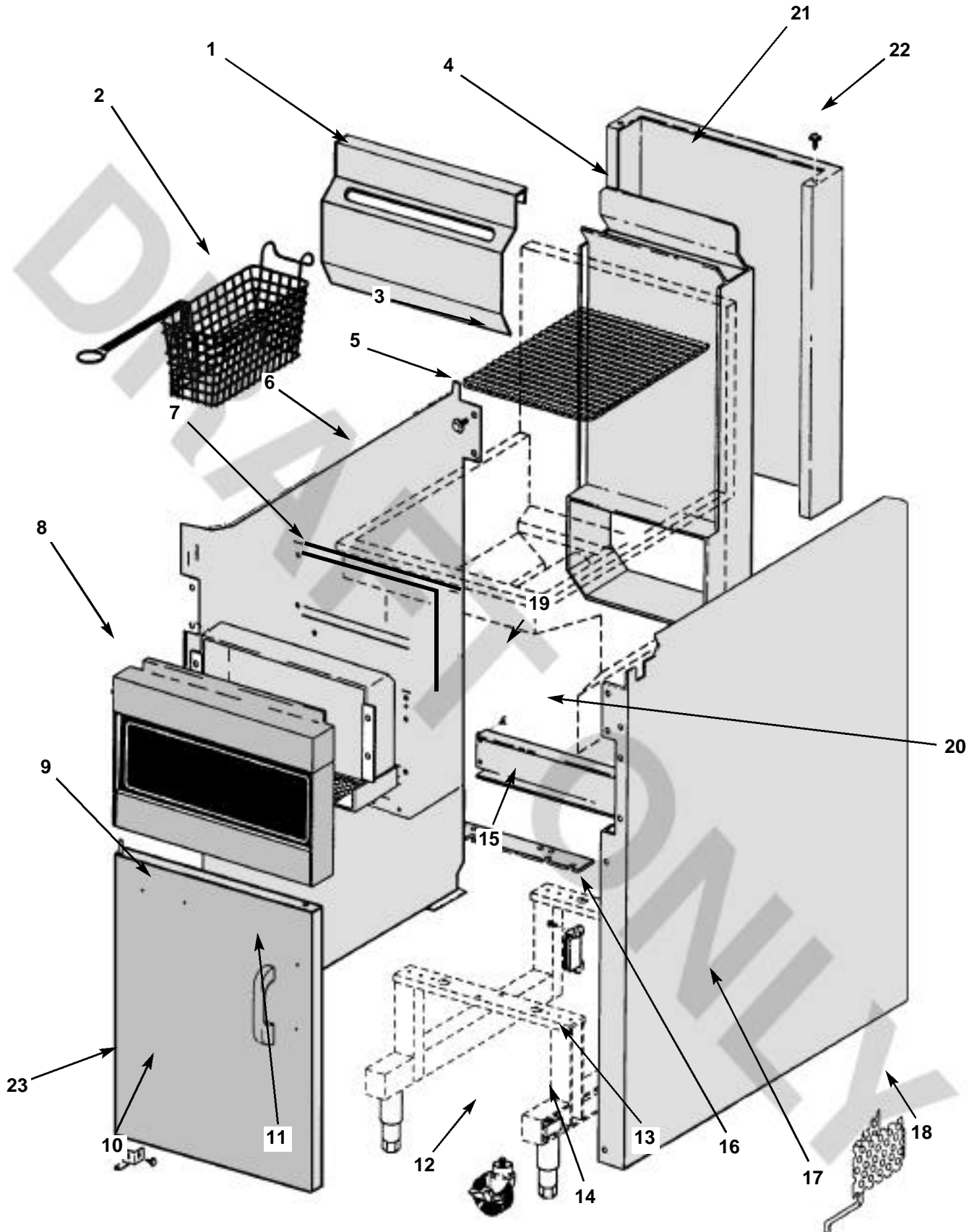


# Body Unit

GFD 35

GFD 45

GFD 65





## Body Unit

GFD 35

GFD 45

GFD 65

KEY	PART No	DESCRIPTION
1	418321-2	HANGER BASKET
2	410737-9 421865-G2 418335-1	TWIN FRYER BASKET ( GFD35/45 NICKLE ) BLAC SINGLE FRYER BASKET( GFD65 ) TWIN FRYER BASKET ( RED )
3	418520-1 418520-2 418520-3	CRUMB SCREEN ( GFD35 ) CRUMB SCREEN ( GFD45 ) CRUMB SCREEN ( GFD65 )
4	416994-G1 418201-G1 418205-G1	FLUE ASSY ( 3 TUBES ) GFD35 FLUE ASSY ( 4 TUBES ) GFD45 FLUE ASSY ( 5 TUBES ) GFD65
5	SD-36-3	SELF TAPPING SCREW ( 8-18 X 3/8 HEX WASHER HD,TYPE AB
6	417711-1	BODY PANEL SST ( L.H )
7	418438-G1	HEAT SHIELD
8	NS-47-79	PALNUT 3/16
9	418327-G2 418327-G4	DOOR ASSY ( GFD35 / 45 ) DOOR ASSY ( GFD65 )
10	SD-32-7 NS-44-9	SELF TAPPING SCREW ( 10-24 X 1/2 HEX WASHER HD, TYPE TT) NUT ASSY ( 10-24 HEX KEPS )
11	416936-2 SC-120-4	HANDLE SCREW ( 10-24 X 1 TRUSS HD )
12	418906-1 418907-1	CASTOR ( RIGID ) CASTOR ( SWIVEL BRAKE )
13	417853-5	NUT ( BASKET 1/2 13 )
14	413112-7	LEG ( 6 1/4 ) SST
15	419580	BRACKET ( POWER SUPPLY MOUNTING )
16	408834-1 SD-36-8	MAGNET ( DOOR ) SELF TAPPING SCREW (8-32 X 3/8 HEX WASHER HD, TYPE TT)
17	417711-2	BODY PANEL SST ( R.H )
18	417008-G1	BAFFLE ASSY



**Body Unit**

**GFD 35**

**GFD 45**

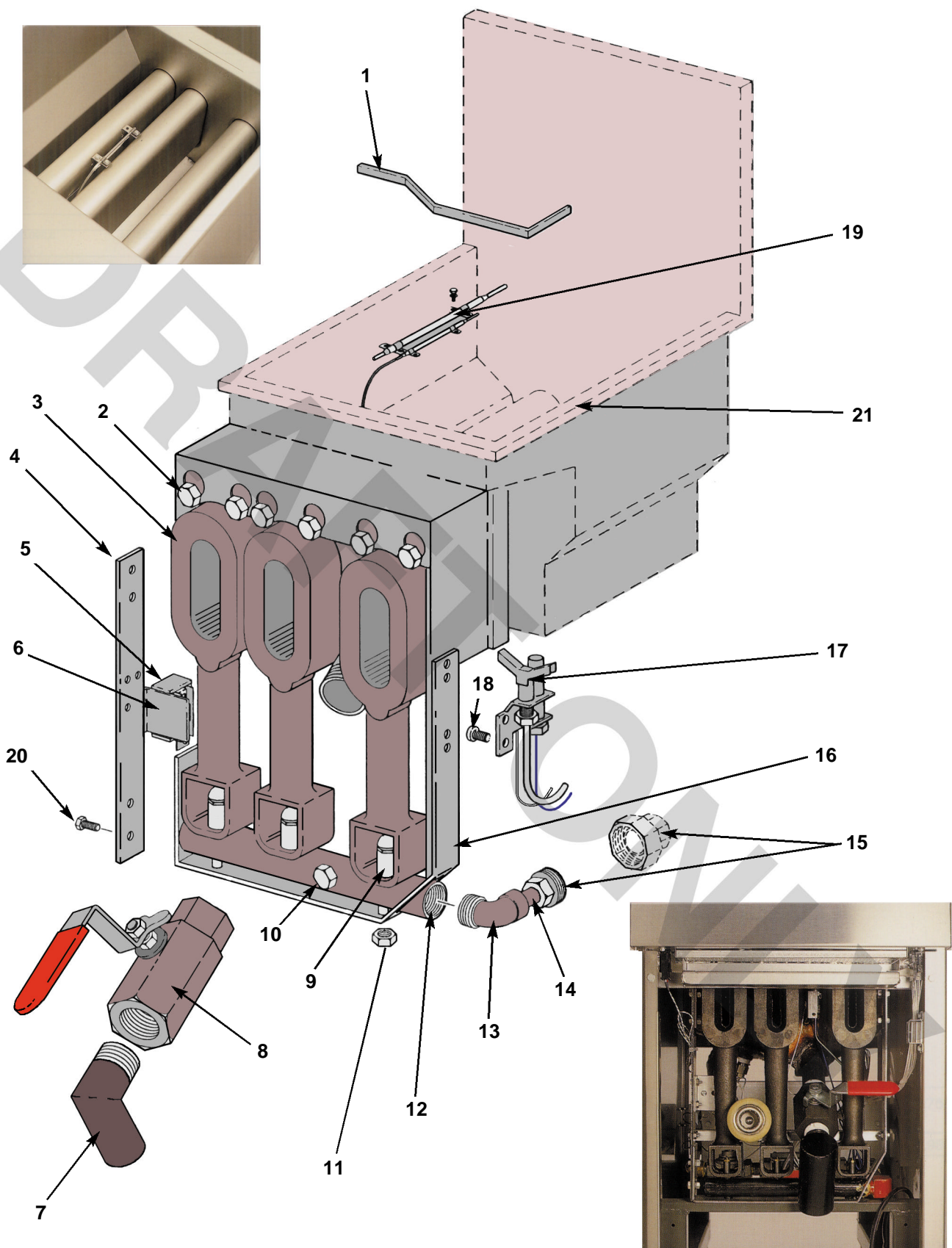
**GFD 65**

KEY	PART No	DESCRIPTION
19	SD-32-7	SELF TAPPING SCREW
20	417014-1 418320-1	BRACKET REAR SUPPORT ( GFD35 / 45 ) BRACKET REAR SUPPORT ( GFD65 )
21	416959-2 418336-2	FLUE WRAP SST ( 3 OR 4 TUBE ) FLUE WRAP SST ( 5 TUBE )
22	SD-32-7	SELF TAPPING SCREW
23	418304-1	HINGE ( BOTTOM ) DOOR



# Burner Components

GFD 35  
GFD 45  
GFD 65





## Burner Components

GFD 35

GFD 45

GFD 65

KEY	PART No	DESCRIPTION
1	409300-5	ROD ( CLEAN OUT )
2	SC-62-7	CAP SCREW ( 5/16-18 X 1/2 HEX HD )
3	410681-2	BURNER
4	417714-1	EXTENSION HANGER
5	419670-2 419548 SD-15-24 NS-44-14 SD-36-80	THERMOSTAT ( HI-LIMIT -W/STUFF BOX ) BRACKET SCREW ( 1/4-20 X 1/2 ) NUT ( 1/4-20 HEX KEPS ) SCREW ( 8-32 X 3/8 )
6	419587	BRACKET ( PULL ROD )
7	422139-G1	DRAIN EXTENSION ( 422139-G2 -same part )
8	414212-4	VALVE
9	010901-40 010901-52	ORIFICE SPUD ( NAT. GAS ) ORIFICE SPUD ( L.P. GAS )
10	FP-85-53	PIPE PLUG ( 1/8 )
11	NS-47-72	LOCK NUT ( 1/4-20 )
12	418209-1	MANIFOLD BURNER
13	FP-86-74	ELBOW-PIPE ( 1/2 X 90 DEG.)
14	FP-35-94	PIPE ( 1/2 X 1 1/2 LG T.B.E )
15	FP-22-11	UNION PIPE
16	418208-1 418211-1 418317-1	HANGER MANIFOLD ( 3 TUBES ) HANGER MANIFOLD ( 4 TUBES ) HANGER MANIFOLD ( 5 TUBES )
17	423277-1	BURNER PILOT ASSY ( NAT. GAS )
18	SC-18-32	SCREW ( 8-32 X 3/8 PAN HD.)
19	402558-6 417522-1 SD-35-2	CLAMP CLIP-CAPILLARY SCREW ( 8-18 X 3/8 )





## Burner Components

GFD 35

GFD 45

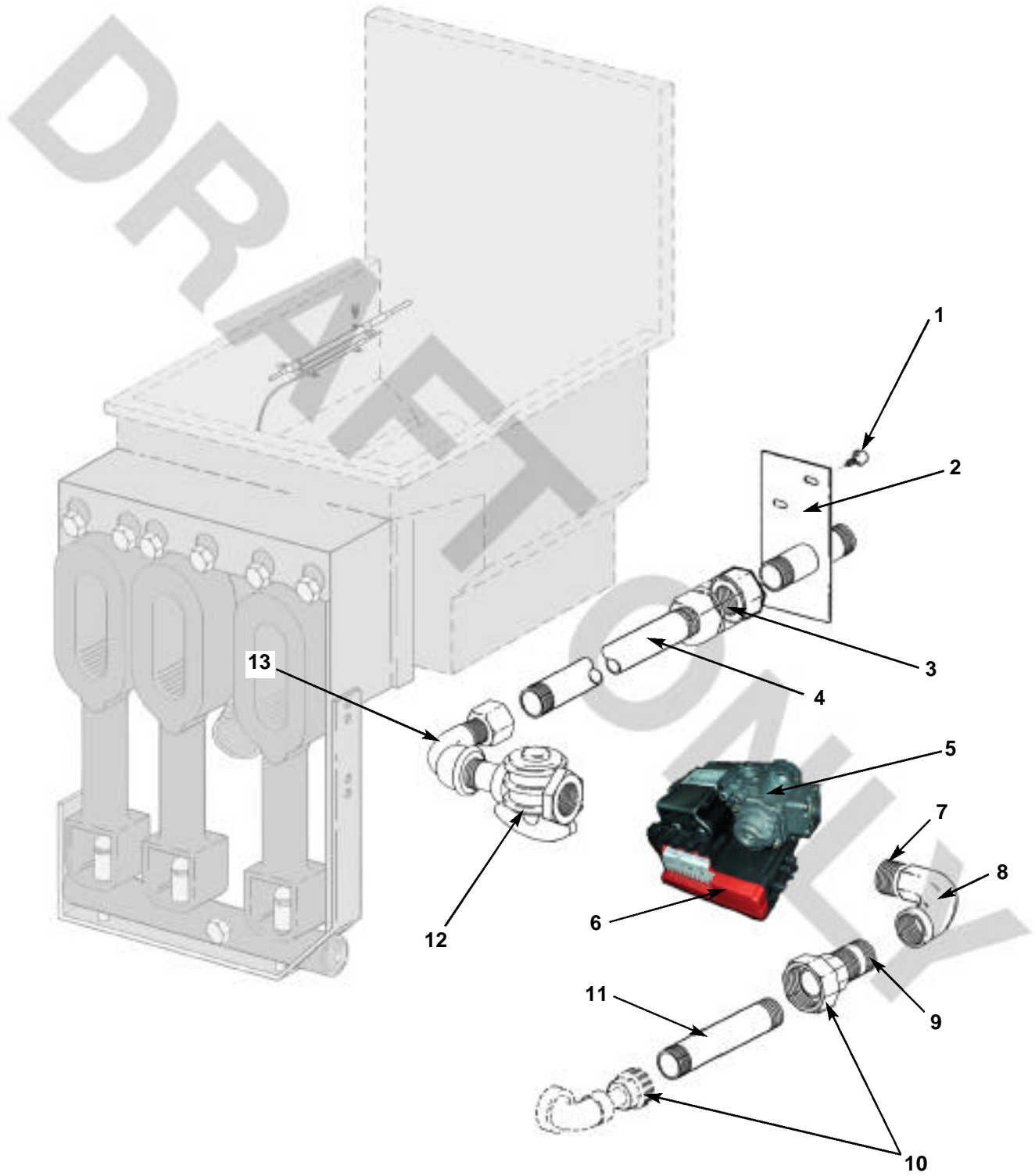
GFD 65

KEY	PART No	DESCRIPTION
19	402558-6 417522-1 SD-35-2	CLAMP CLIP ( CAPILLARY ) SCREW ( SELF TAPPING 8-18 X 3/8 HEX WASHER HD, TYPE AB
20	SD-15-24 NS-44-14	SCREW ( SELF TAPPING 1/4-20 X 1/2 HEX WASHER HD,TYPE TT NUT ( 1/4-20 HEX KEPS )
21	416942-G5 418192-G2 418196-G2	TANK ASSY SST ( 3 TUBES ) TANK ASSY SST ( 4 TUBES ) TANK ASSY SST ( 5 TUBES )



# Gas Inlet Manifold

GFD 35  
GFD 45  
GFD 65





## Gas Inlet Manifold

GFD 35

GFD 45

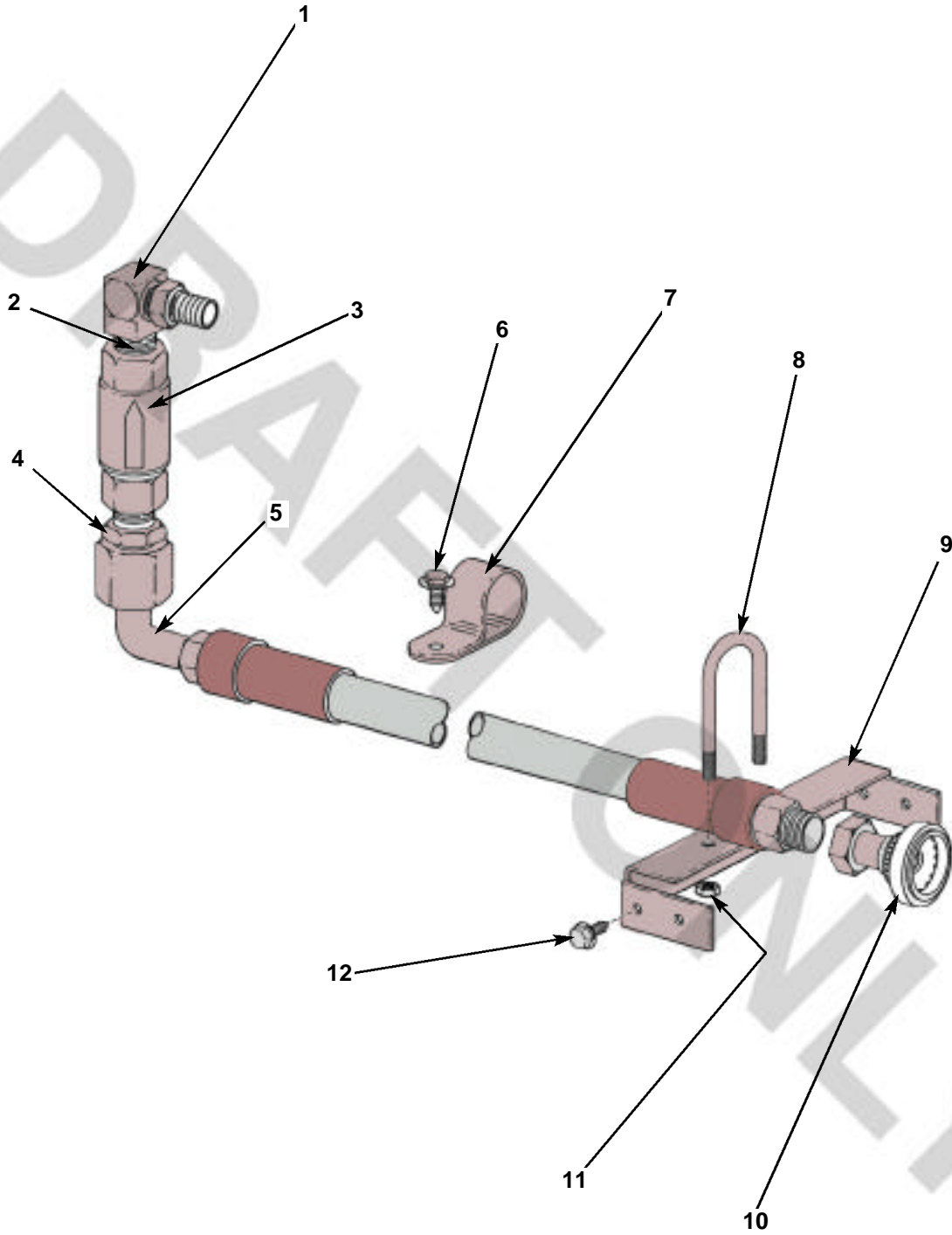
GFD 65

KEY	PART No	DESCRIPTION
1	SD-32-7	SCREW ( 10-24 X 1/2 HEX WASHER HD, TYPE TT
2	418538-G1	COUPLING WELDMENT
3	FP-12-39	FITTING-TUBE ( 5/8 TBG X 1/2 FPT BRASS )
4	418561-1	TUBE-GAS
5	359647-1	GAS VALVE ASSY
6	359650-2	IGNITION MODULE PILOT W/ LOCK-OUT
7	FP-59-1	PIPE ( 1/2 X 1 3/4 LG, TBE )
8	FP-13-15	ELBOW-PIPE ( 1/2 X 90DEG )
9	FP-35-94	PIPE ( 1/2 X 1 1/2 LG, TBE )
10	FP-22-11	UNION-PIPE
11	???????	PIPE
12	408604-3	VALVE ( GAS SHUT-OFF )
13	FP-86-20	ELBOW ( 90 DEG, FEMALE 5/8 X 1/2 FPT )



# Oil Return ( Stand Alone )

GFD 35  
GFD 45  
GFD 65





**Oil Return  
( Stand Alone )**

**GFD 35  
GFD 45  
GFD 65**

KEY	PART No	DESCRIPTION
1	419251-1	ELBOW ( 1/2 NPTF MALE SWIVEL )
2	FP-35-91	PIPE ( 1/2 X 1 1/8 TBE )
3	418786-1	VALVE-CHECK ( BALL CONE )
4	419211-1	ADAPTER ( PIPE TO FLARE )
5	418966-1	OIL RETURN LINE
6	SD-32-7	SCREW ( 10-24 X 1/2 HEX )
7	78752-3	CLAMP
8	521820	" U " BOLT ( 1/4 - 20 )
9	417892-1	BRACKET-OIL RETURN ( GFD35 )
	418334-1	BRACKET-OIL RETURN ( GFD45 )
	418359-1	BRACKET-OIL RETURN ( GFD65 )
10	418791-G1	QUICK DISCONNECT ASSY
11	NS-44-14	NUT ( 1/4 - 20 HEX KEPS )
12	SD-32-7	SCREW ( 10-24 X 1/2 HEX )
	NS-44-9	NUT ASSY ( 10-24 HEX KEPS )

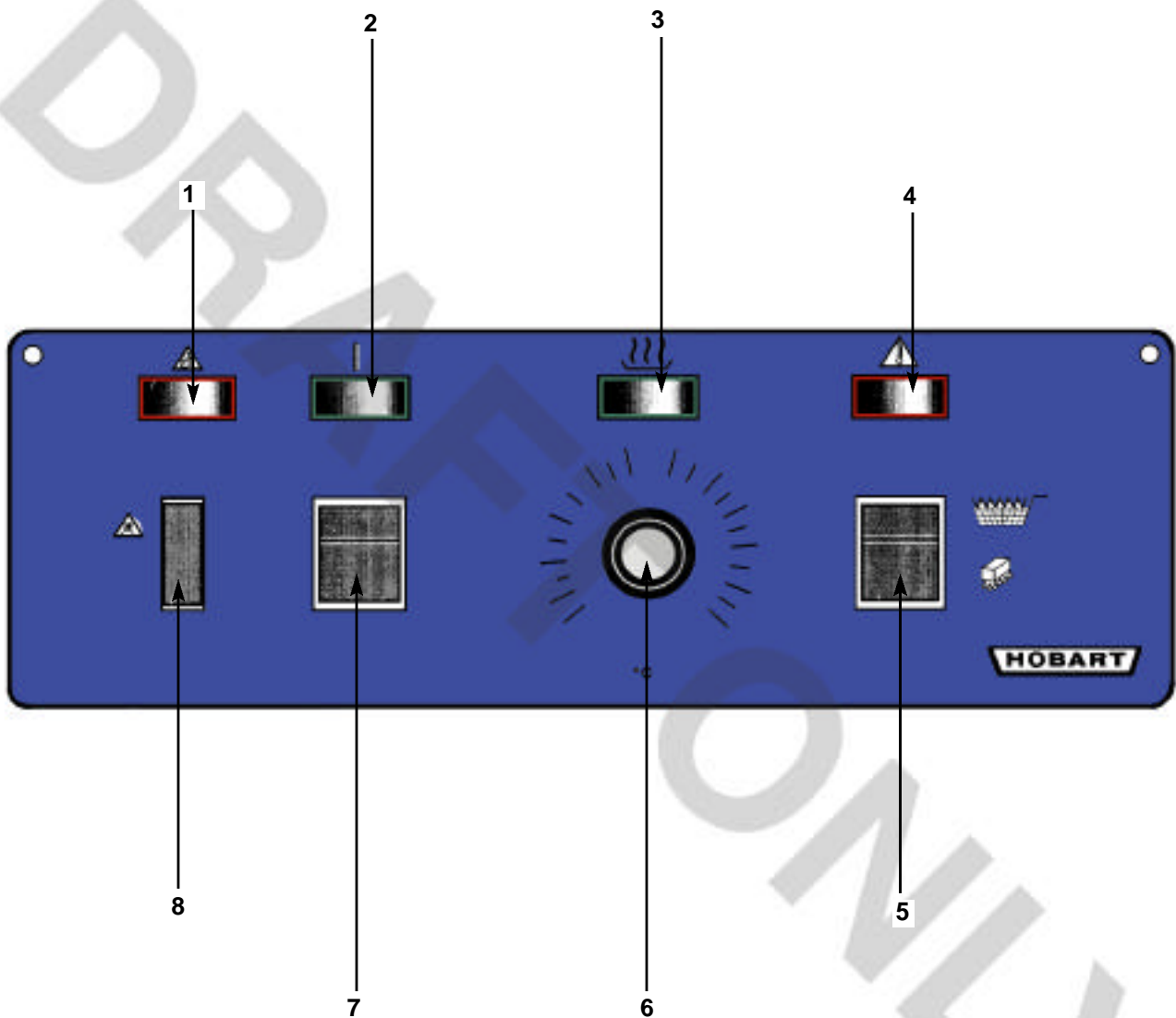
**ACCESSORY ( NOT SHOWN ON DRAWING )**

410682-4	HOSE-FLEX 4'
410682-5	HOSE-FLEX 5'
410682-6	DISCONNECT-QUICK
414848-G2	VAT COVER ASSY ( GFD 35 / 45 )
418358-G1	VAT COVER ASSY ( GFD65 )
407023-1	HANDLE ( VAT COVER ASSY )
405686	BAG-FILTER
419319	POWER CORD ( FILTER )



### Control Panel

GFD 35  
GFD 45  
GFD 65



P.C.B ( ALL GFD MODELS ) = 415144-13

**Control Panel****GFD 35****GFD 45****GFD 65**

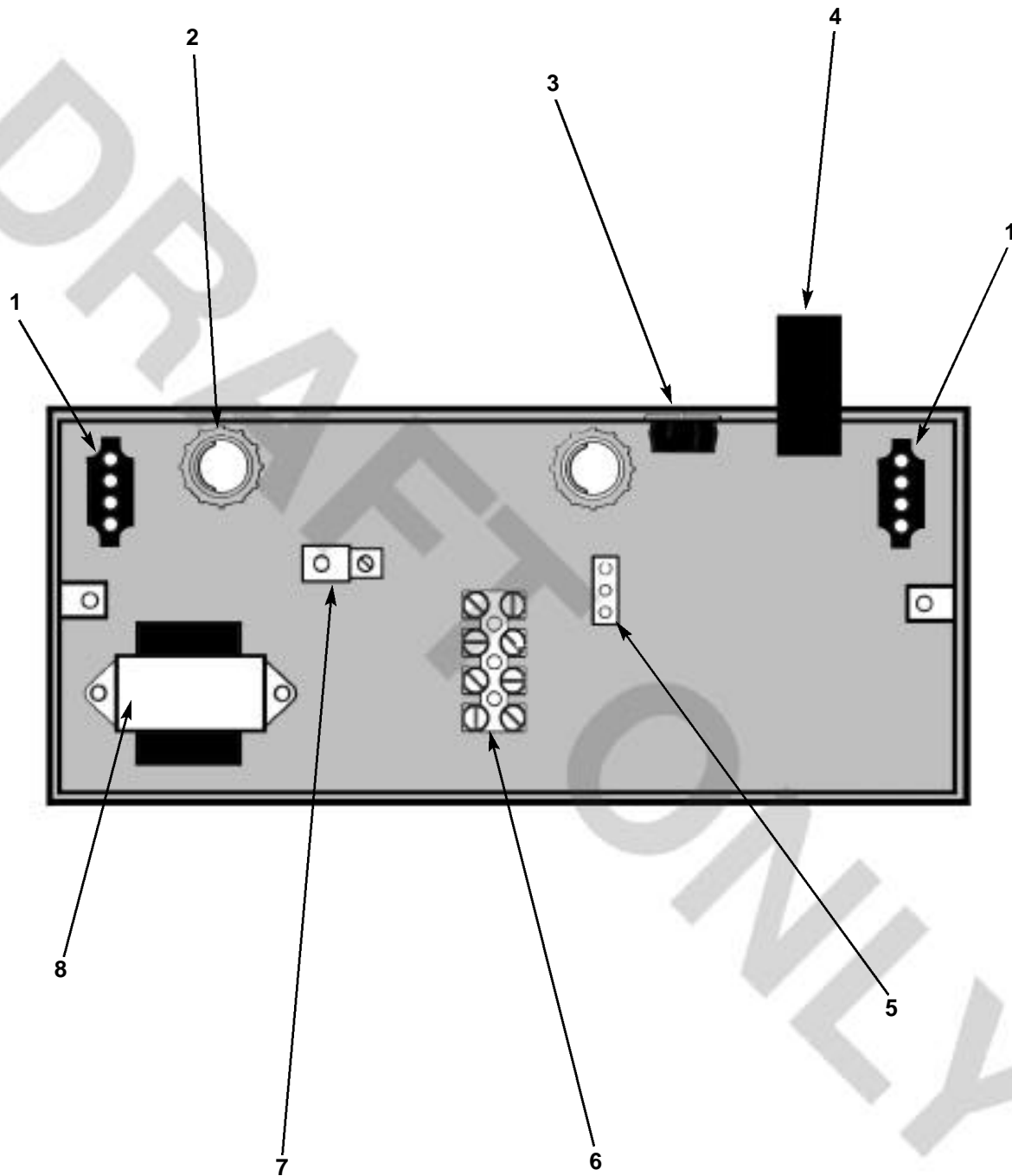
---

<b>KEY</b>	<b>PART No</b>	<b>DESCRIPTION</b>
1	423142-1	INDICATOR LAMP ( RED )
2	423142-2	INDICATOR LAMP ( GREEN )
3	423142-2	INDICATOR LAMP ( GREEN )
4	423142-1	INDICATOR LAMP ( RED )
5	423141-2	FRY / MELT SWITCH
6	415638-G1	POTENTIOMETER / KNOB ASSY
7	423141-1	ON - OFF SWITCH
8	423138-1	RESET SWITCH
	415144-13	P.C.B ( ALL GFD MODELS )



# Power Supply Box

GFD 35  
GFD 45  
GFD 65





**Power Supply Box****GFD 35****GFD 45****GFD 65**

---

KEY	PART No	DESCRIPTION
1	414229-13 414229-14	BLOCK PIN ( 4 CIRCUIT ) BLOCK RECEPTICAL ( 4 CIRCUIT )
2	FE-23-37 412263-5	CONNECTOR - CONDUIT ( 1/2 TS ) BUSHING UNIVERSAL HEYCO ( PLASTIC )
3	FE-24-28	BUSHING
4	422547-1	BLOCK PIN ( WALDOM / MOLEX )
5	419317	BUSS GROUND ( 6 CIRCUIT )
6	414208-4 414208-1 414208-3	BLOCK TERMINAL ( 5 POSITION TYPE 10 E/4 ) BLOCK TERMINAL ( 4 POSITION TYPE 10 E/4 ) BLOCK TERMINAL ( 2 POSITION TYPE 10 E/4 DS )
7	417856-1	GROUNDING LUG
8	359432-1	TRANSFORMER ( 230 / 12 / 24 )



As continued product improvement is a policy of HOBART, specifications are subject to change without notice.