



Fryers
GFD Range
GFD35
GFD45
GFD65



Spare Parts



GFD 35
GFD 45
GFD 65

INDEX

MACHINE SPEC INFORMATION.....	3
BODY UNIT.....	4
BURNER COMPONENTS.....	7
GAS INLET MANIFOLD.....	10
OIL RETURN (STAND ALONE).....	12
CONTROL PANEL.....	14
POWER SUPPLY BOX.....	16






Machine Spec Information

GFD 35
GFD 45
GFD 65



GAS FRYERS - 'GFD' RANGE

The 'GFD' range of gas fryers use a more thermally efficient tube fired heating system, creating a larger heat transfer area. Faster recovery times and a larger cool zone are two essential features for any fryer.

MODEL	DESCRIPTION	ORDER CODE
<p>GFD35</p>  <p>Dimensions W 397mm D 763mm H 1224mm</p>	<p>The GFD35 gas fryer is a free standing fryer constructed in stainless steel. The fryer comes complete with electronic ignition, flame failure and a deep cool zone. The deep set flame tubes are widely spaced to allow for cleaning and the oil drain is wide bore to prevent clogging. (19 Ltrs)</p> <p>Capacity - 65lb 1/4" frozen french fries per hour.</p>	<p>Gas 26.38kW (90,000 BTU) 230/50/1 - 13 amp</p> <p>GFD35-14</p>
<p>GFD45</p>  <p>Dimensions W 397mm D 763mm H 1224mm</p>	<p>The GFD45 gas fryer is a free standing fryer constructed in stainless steel. The fryer comes complete with electronic ignition, flame failure and a deep cool zone. The deep set flame tubes are widely spaced to allow for cleaning and the oil drain is wide bore to prevent clogging. (21 Ltrs)</p> <p>Capacity - 100lb 1/4" frozen french fries per hour.</p>	<p>Gas 35.17kW (120,000 BTU) 230/50/1 - 13 amp</p> <p>GFD45-14</p>
<p>GFD65</p>  <p>Dimensions W 538mm D 763mm H 1224mm</p>	<p>The GFD65 gas fryer is a free standing fryer constructed in stainless steel. The fryer comes complete with electronic ignition, flame failure and a deep cool zone. The deep set flame tubes are widely spaced to allow for cleaning and the oil drain is wide bore to prevent clogging. (29 Ltrs)</p> <p>Capacity - 115lb 1/4" frozen french fries per hour.</p>	<p>Gas 43.96kW (150,000 BTU) 230/50/1 - 13 amp</p> <p>GFD65-14</p>

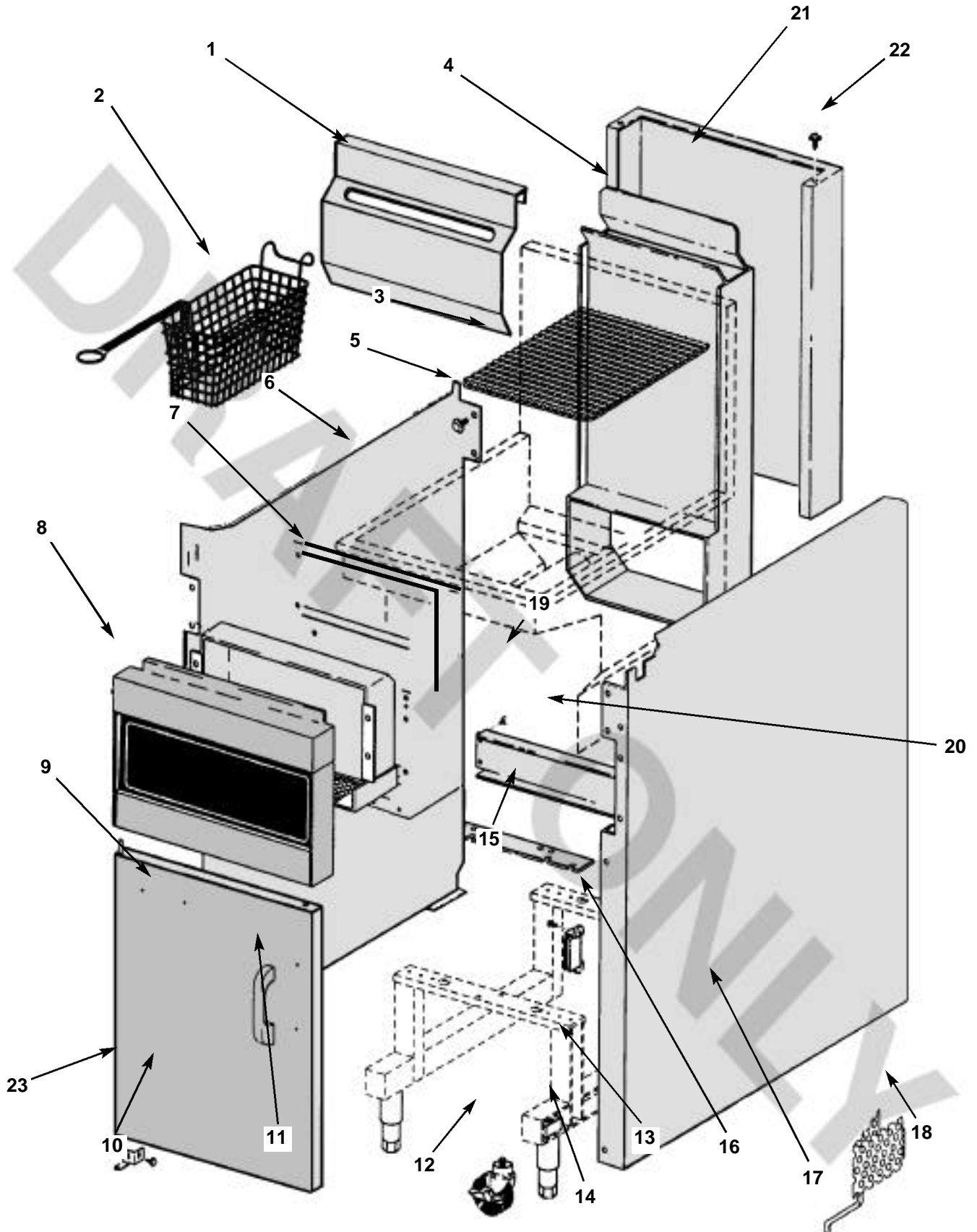


Body Unit

GFD 35

GFD 45

GFD 65





Body Unit

GFD 35

GFD 45

GFD 65

KEY	PART No	DESCRIPTION
1	418321-2	HANGER BASKET
2	410737-9 421865-G2 418335-1	TWIN FRYER BASKET (GFD35/45 NICKLE) BLAC SINGLE FRYER BASKET(GFD65) TWIN FRYER BASKET (RED)
3	418520-1 418520-2 418520-3	CRUMB SCREEN (GFD35) CRUMB SCREEN (GFD45) CRUMB SCREEN (GFD65)
4	416994-G1 418201-G1 418205-G1	FLUE ASSY (3 TUBES) GFD35 FLUE ASSY (4 TUBES) GFD45 FLUE ASSY (5 TUBES) GFD65
5	SD-36-3	SELF TAPPING SCREW (8-18 X 3/8 HEX WASHER HD,TYPE AB
6	417711-1	BODY PANEL SST (L.H)
7	418438-G1	HEAT SHIELD
8	NS-47-79	PALNUT 3/16
9	418327-G2 418327-G4	DOOR ASSY (GFD35 / 45) DOOR ASSY (GFD65)
10	SD-32-7 NS-44-9	SELF TAPPING SCREW (10-24 X 1/2 HEX WASHER HD, TYPE TT) NUT ASSY (10-24 HEX KEPS)
11	416936-2 SC-120-4	HANDLE SCREW (10-24 X 1 TRUSS HD)
12	418906-1 418907-1	CASTOR (RIGID) CASTOR (SWIVEL BRAKE)
13	417853-5	NUT (BASKET 1/2 13)
14	413112-7	LEG (6 1/4) SST
15	419580	BRACKET (POWER SUPPLY MOUNTING)
16	408834-1 SD-36-8	MAGNET (DOOR) SELF TAPPING SCREW (8-32 X 3/8 HEX WASHER HD, TYPE TT)
17	417711-2	BODY PANEL SST (R.H)
18	417008-G1	BAFFLE ASSY



Body Unit

GFD 35

GFD 45

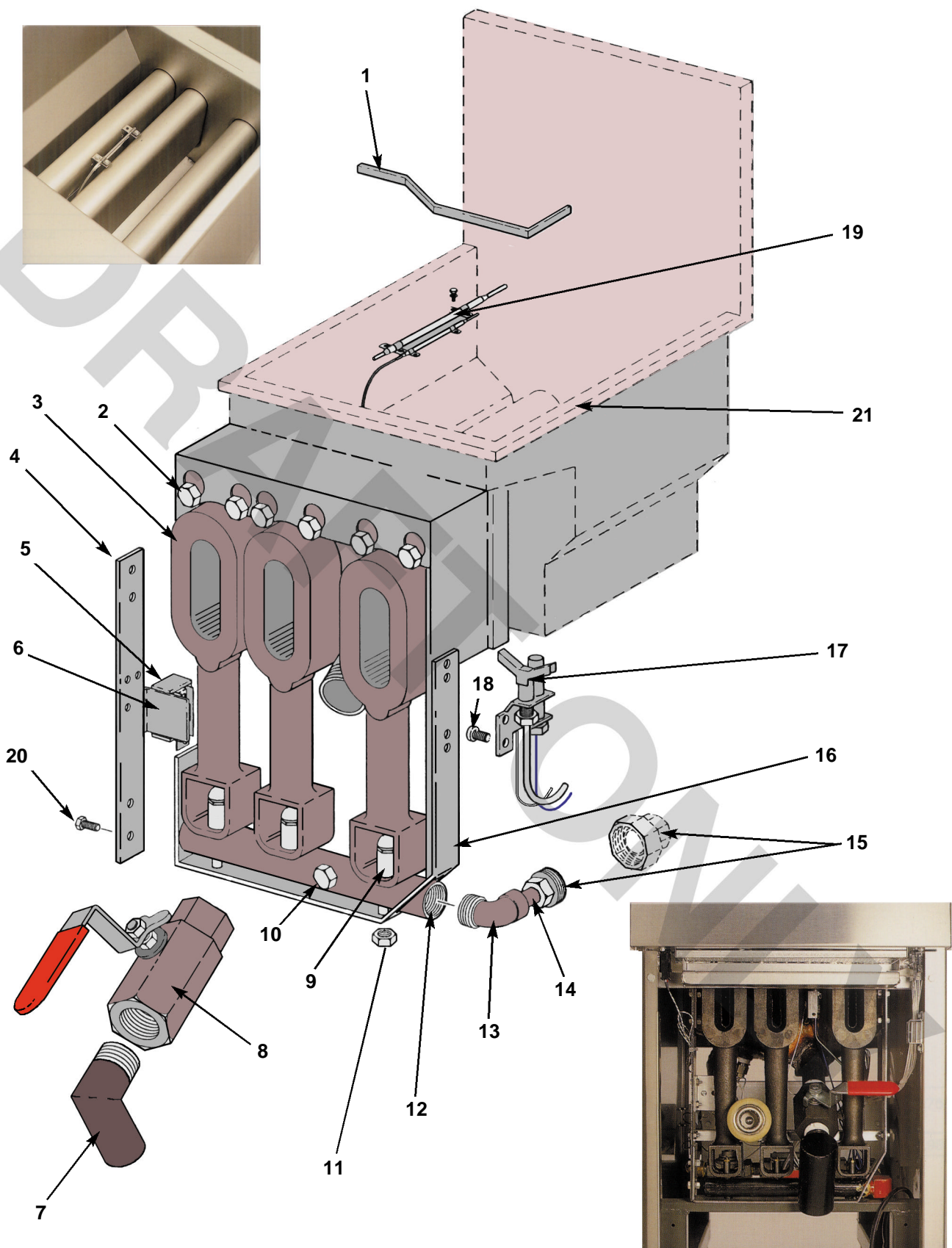
GFD 65

KEY	PART No	DESCRIPTION
19	SD-32-7	SELF TAPPING SCREW
20	417014-1 418320-1	BRACKET REAR SUPPORT (GFD35 / 45) BRACKET REAR SUPPORT (GFD65)
21	416959-2 418336-2	FLUE WRAP SST (3 OR 4 TUBE) FLUE WRAP SST (5 TUBE)
22	SD-32-7	SELF TAPPING SCREW
23	418304-1	HINGE (BOTTOM) DOOR



Burner Components

GFD 35
GFD 45
GFD 65





Burner Components

GFD 35

GFD 45

GFD 65

KEY	PART No	DESCRIPTION
1	409300-5	ROD (CLEAN OUT)
2	SC-62-7	CAP SCREW (5/16-18 X 1/2 HEX HD)
3	410681-2	BURNER
4	417714-1	EXTENSION HANGER
5	419670-2 419548 SD-15-24 NS-44-14 SD-36-80	THERMOSTAT (HI-LIMIT -W/STUFF BOX) BRACKET SCREW (1/4-20 X 1/2) NUT (1/4-20 HEX KEPS) SCREW (8-32 X 3/8)
6	419587	BRACKET (PULL ROD)
7	422139-G1	DRAIN EXTENSION (422139-G2 -same part)
8	414212-4	VALVE
9	010901-40 010901-52	ORIFICE SPUD (NAT. GAS) ORIFICE SPUD (L.P. GAS)
10	FP-85-53	PIPE PLUG (1/8)
11	NS-47-72	LOCK NUT (1/4-20)
12	418209-1	MANIFOLD BURNER
13	FP-86-74	ELBOW-PIPE (1/2 X 90 DEG.)
14	FP-35-94	PIPE (1/2 X 1 1/2 LG T.B.E)
15	FP-22-11	UNION PIPE
16	418208-1 418211-1 418317-1	HANGER MANIFOLD (3 TUBES) HANGER MANIFOLD (4 TUBES) HANGER MANIFOLD (5 TUBES)
17	423277-1	BURNER PILOT ASSY (NAT. GAS)
18	SC-18-32	SCREW (8-32 X 3/8 PAN HD.)
19	402558-6 417522-1 SD-35-2	CLAMP CLIP-CAPILLARY SCREW (8-18 X 3/8)

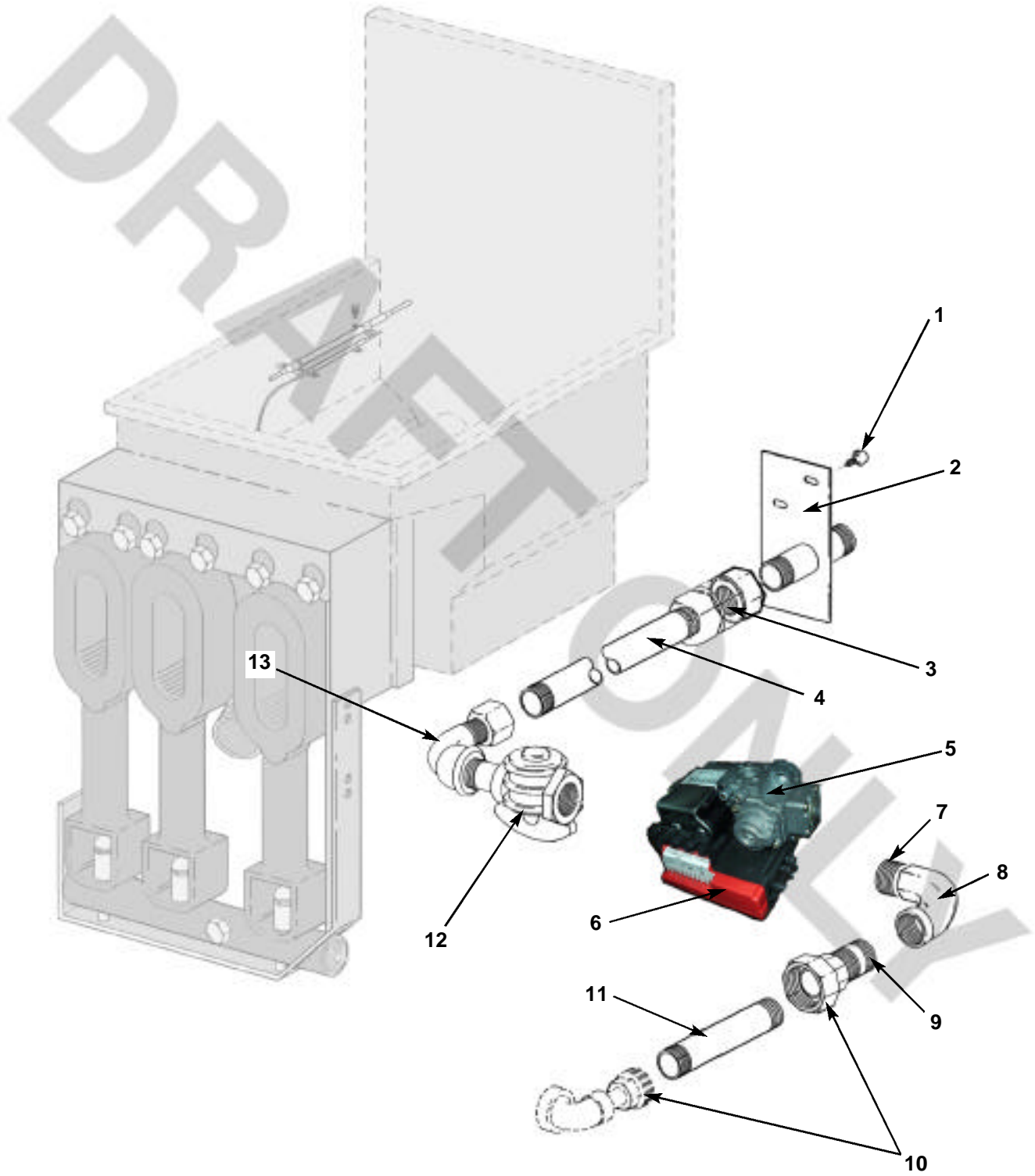
**Burner Components****GFD 35****GFD 45****GFD 65**

KEY	PART No	DESCRIPTION
19	402558-6 417522-1 SD-35-2	CLAMP CLIP (CAPILLARY) SCREW (SELF TAPPING 8-18 X 3/8 HEX WASHER HD, TYPE AB
20	SD-15-24 NS-44-14	SCREW (SELF TAPPING 1/4-20 X 1/2 HEX WASHER HD,TYPE TT NUT (1/4-20 HEX KEPS)
21	416942-G5 418192-G2 418196-G2	TANK ASSY SST (3 TUBES) TANK ASSY SST (4 TUBES) TANK ASSY SST (5 TUBES)



Gas Inlet Manifold

GFD 35
GFD 45
GFD 65





Gas Inlet Manifold

GFD 35

GFD 45

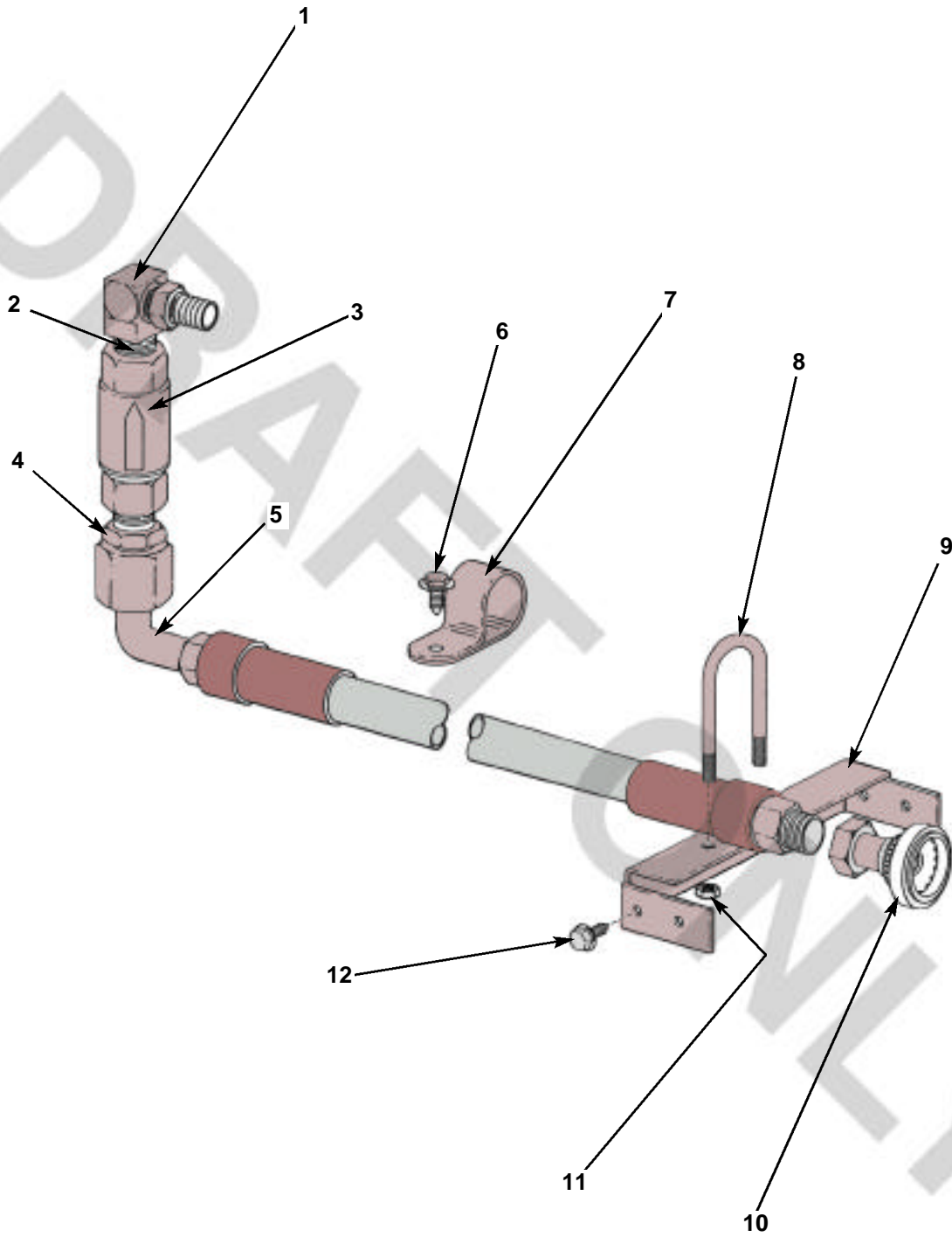
GFD 65

KEY	PART No	DESCRIPTION
1	SD-32-7	SCREW (10-24 X 1/2 HEX WASHER HD, TYPE TT
2	418538-G1	COUPLING WELDMENT
3	FP-12-39	FITTING-TUBE (5/8 TBG X 1/2 FPT BRASS)
4	418561-1	TUBE-GAS
5	359647-1	GAS VALVE ASSY
6	359650-2	IGNITION MODULE PILOT W/ LOCK-OUT
7	FP-59-1	PIPE (1/2 X 1 3/4 LG, TBE)
8	FP-13-15	ELBOW-PIPE (1/2 X 90DEG)
9	FP-35-94	PIPE (1/2 X 1 1/2 LG, TBE)
10	FP-22-11	UNION-PIPE
11	???????	PIPE
12	408604-3	VALVE (GAS SHUT-OFF)
13	FP-86-20	ELBOW (90 DEG, FEMALE 5/8 X 1/2 FPT)



Oil Return (Stand Alone)

GFD 35
GFD 45
GFD 65





**Oil Return
(Stand Alone)**

**GFD 35
GFD 45
GFD 65**

KEY	PART No	DESCRIPTION
1	419251-1	ELBOW (1/2 NPTF MALE SWIVEL)
2	FP-35-91	PIPE (1/2 X 1 1/8 TBE)
3	418786-1	VALVE-CHECK (BALL CONE)
4	419211-1	ADAPTER (PIPE TO FLARE)
5	418966-1	OIL RETURN LINE
6	SD-32-7	SCREW (10-24 X 1/2 HEX)
7	78752-3	CLAMP
8	521820	" U " BOLT (1/4 - 20)
9	417892-1	BRACKET-OIL RETURN (GFD35)
	418334-1	BRACKET-OIL RETURN (GFD45)
	418359-1	BRACKET-OIL RETURN (GFD65)
10	418791-G1	QUICK DISCONNECT ASSY
11	NS-44-14	NUT (1/4 - 20 HEX KEPS)
12	SD-32-7	SCREW (10-24 X 1/2 HEX)
	NS-44-9	NUT ASSY (10-24 HEX KEPS)

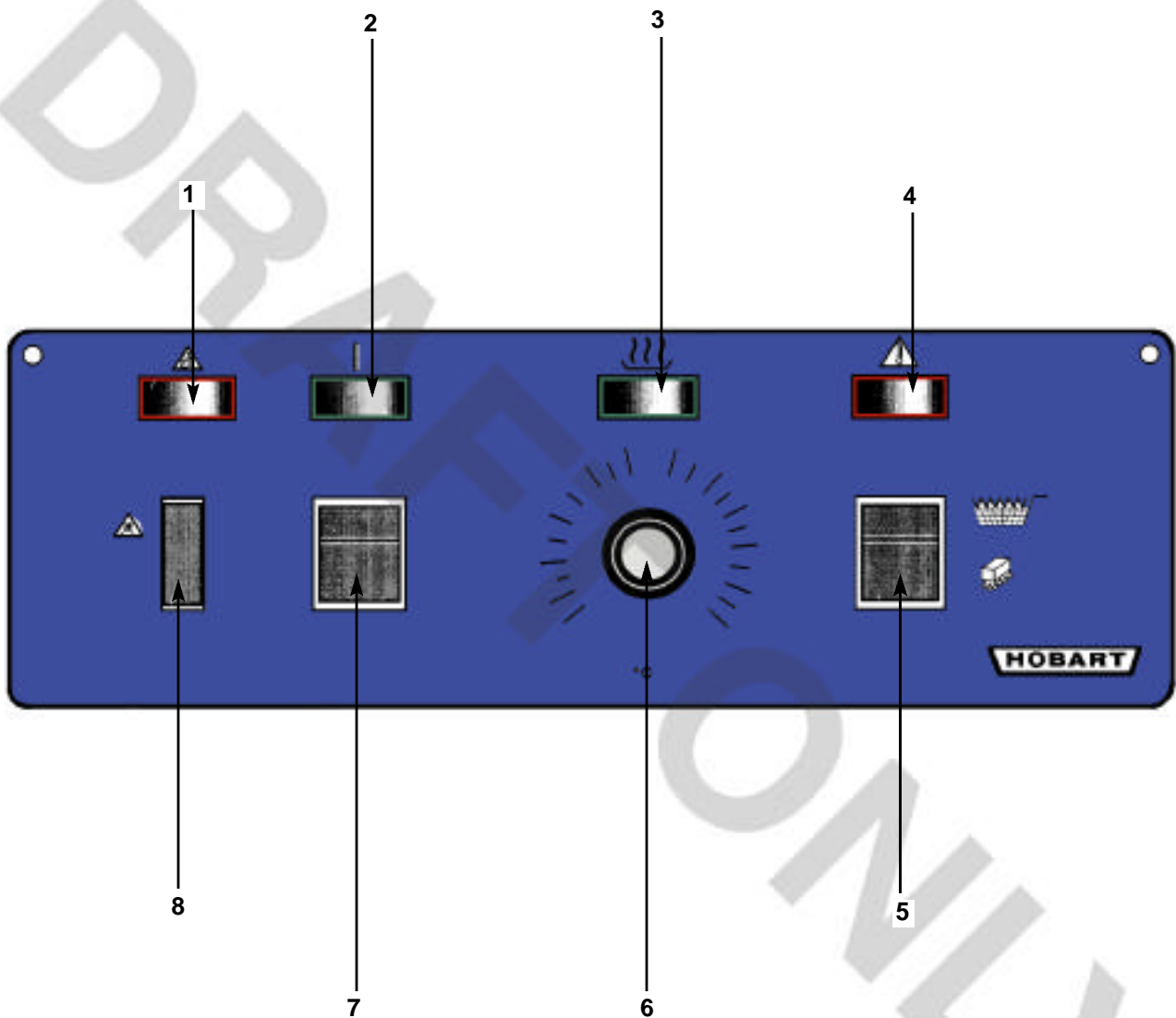
ACCESSORY (NOT SHOWN ON DRAWING)

410682-4	HOSE-FLEX 4'
410682-5	HOSE-FLEX 5'
410682-6	DISCONNECT-QUICK
414848-G2	VAT COVER ASSY (GFD 35 / 45)
418358-G1	VAT COVER ASSY (GFD65)
407023-1	HANDLE (VAT COVER ASSY)
405686	BAG-FILTER
419319	POWER CORD (FILTER)



Control Panel

GFD 35
GFD 45
GFD 65



P.C.B (ALL GFD MODELS) = 415144-13

**Control Panel****GFD 35****GFD 45****GFD 65**

KEY	PART No	DESCRIPTION
1	423142-1	INDICATOR LAMP (RED)
2	423142-2	INDICATOR LAMP (GREEN)
3	423142-2	INDICATOR LAMP (GREEN)
4	423142-1	INDICATOR LAMP (RED)
5	423141-2	FRY / MELT SWITCH
6	415638-G1	POTENTIOMETER / KNOB ASSY
7	423141-1	ON - OFF SWITCH
8	423138-1	RESET SWITCH
	415144-13	P.C.B (ALL GFD MODELS)

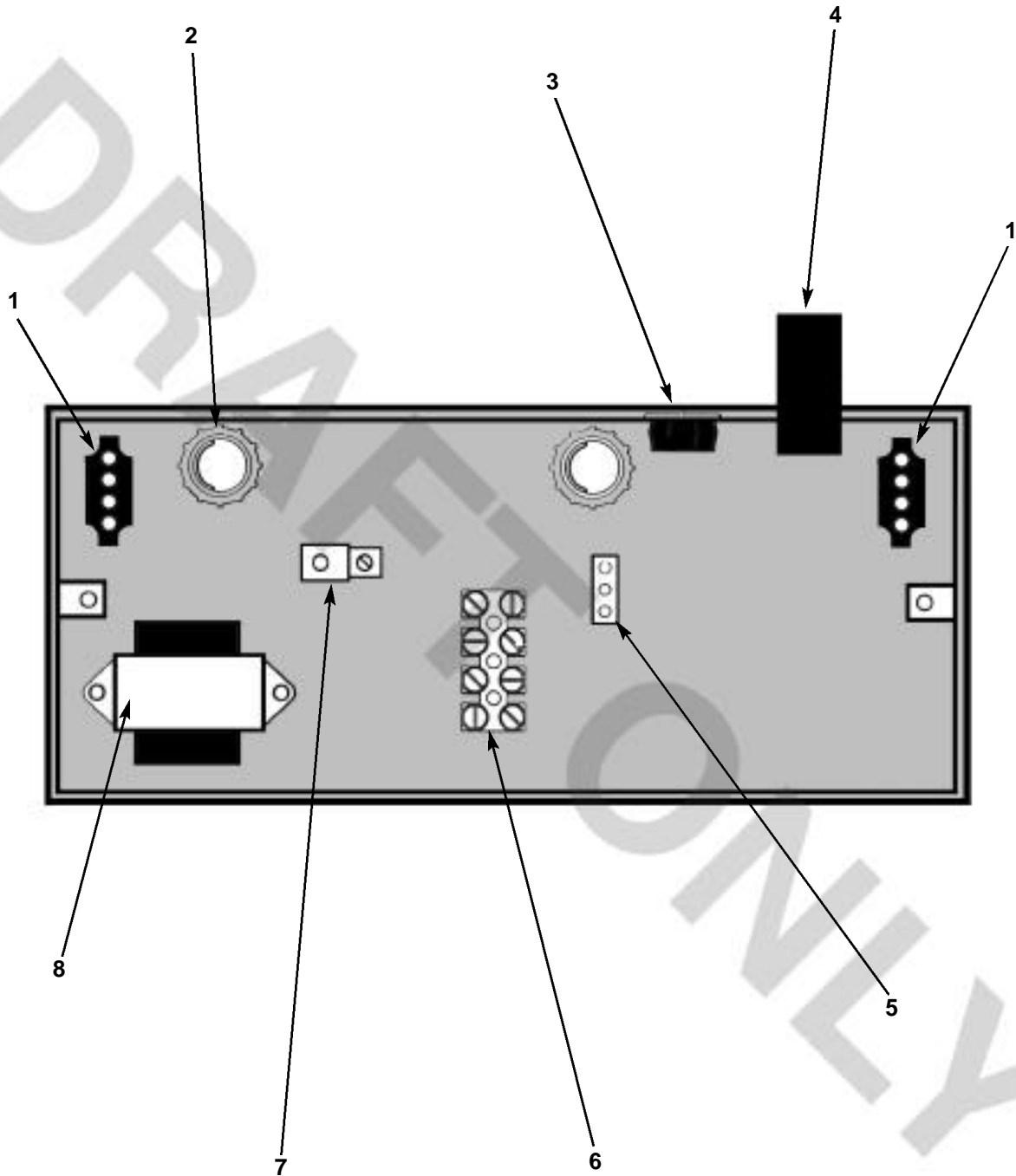


Power Supply Box

GFD 35

GFD 45

GFD 65





Power Supply Box

GFD 35

GFD 45

GFD 65

KEY	PART No	DESCRIPTION
1	414229-13 414229-14	BLOCK PIN (4 CIRCUIT) BLOCK RECEPTICAL (4 CIRCUIT)
2	FE-23-37 412263-5	CONNECTOR - CONDUIT (1/2 TS) BUSHING UNIVERSAL HEYCO (PLASTIC)
3	FE-24-28	BUSHING
4	422547-1	BLOCK PIN (WALDOM / MOLEX)
5	419317	BUSS GROUND (6 CIRCUIT)
6	414208-4 414208-1 414208-3	BLOCK TERMINAL (5 POSITION TYPE 10 E/4) BLOCK TERMINAL (4 POSITION TYPE 10 E/4) BLOCK TERMINAL (2 POSITION TYPE 10 E/4 DS)
7	417856-1	GROUNDING LUG
8	359432-1	TRANSFORMER (230 / 12 / 24)



As continued product improvement is a policy of HOBART, specifications are subject to change without notice.