



Fryers
GFD Range
GFD35
GFD45
GFD65



Spare Parts



GFD 35

GFD 45

GFD 65

INDEX

| | |
|---------------------------------|----|
| MACHINE SPEC INFORMATION..... | 3 |
| BODY UNIT..... | 4 |
| BURNER COMPONENTS..... | 7 |
| GAS INLET MANIFOLD..... | 10 |
| OIL RETURN (STAND ALONE)..... | 12 |
| CONTROL PANEL..... | 14 |
| POWER SUPPLY BOX..... | 16 |






Machine Spec Information

GFD 35
GFD 45
GFD 65



GAS FRYERS - 'GFD' RANGE

The 'GFD' range of gas fryers use a more thermally efficient tube fired heating system, creating a larger heat transfer area. Faster recovery times and a larger cool zone are two essential features for any fryer.

| MODEL | DESCRIPTION | ORDER CODE |
|---|---|--|
| <p>GFD35</p>  <p>Dimensions W 397mm D 763mm H 1224mm</p> | <p>The GFD35 gas fryer is a free standing fryer constructed in stainless steel. The fryer comes complete with electronic ignition, flame failure and a deep cool zone. The deep set flame tubes are widely spaced to allow for cleaning and the oil drain is wide bore to prevent clogging. (19 Ltrs)</p> <p>Capacity - 65lb 1/4" frozen french fries per hour.</p> | <p>Gas 26.38kW (90,000 BTU) 230/50/1 - 13 amp</p> <p>GFD35-14</p> |
| <p>GFD45</p>  <p>Dimensions W 397mm D 763mm H 1224mm</p> | <p>The GFD45 gas fryer is a free standing fryer constructed in stainless steel. The fryer comes complete with electronic ignition, flame failure and a deep cool zone. The deep set flame tubes are widely spaced to allow for cleaning and the oil drain is wide bore to prevent clogging. (21 Ltrs)</p> <p>Capacity - 100lb 1/4" frozen french fries per hour.</p> | <p>Gas 35.17kW (120,000 BTU) 230/50/1 - 13 amp</p> <p>GFD45-14</p> |
| <p>GFD65</p>  <p>Dimensions W 538mm D 763mm H 1224mm</p> | <p>The GFD65 gas fryer is a free standing fryer constructed in stainless steel. The fryer comes complete with electronic ignition, flame failure and a deep cool zone. The deep set flame tubes are widely spaced to allow for cleaning and the oil drain is wide bore to prevent clogging. (29 Ltrs)</p> <p>Capacity - 115lb 1/4" frozen french fries per hour.</p> | <p>Gas 43.96kW (150,000 BTU) 230/50/1 - 13 amp</p> <p>GFD65-14</p> |

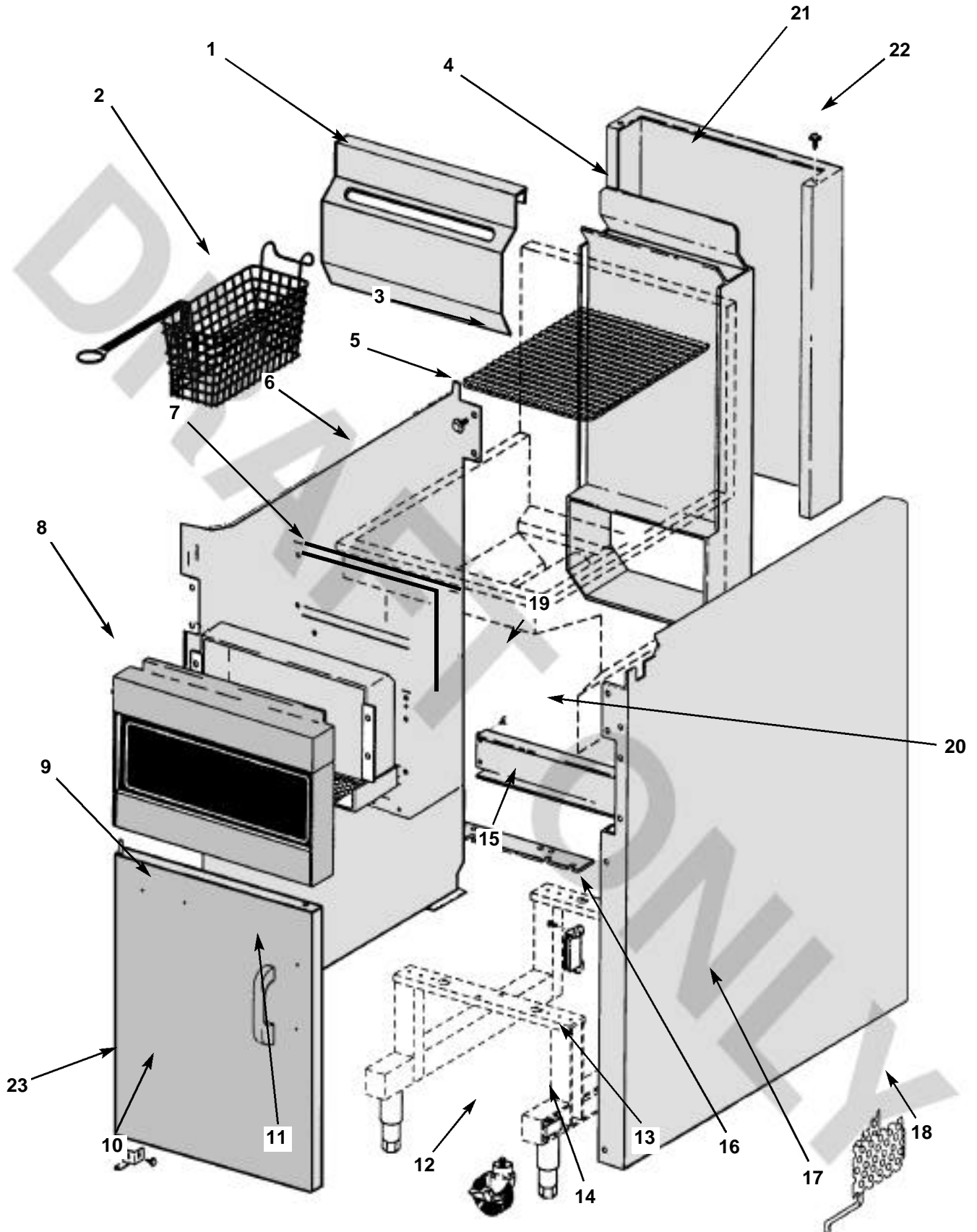


Body Unit

GFD 35

GFD 45

GFD 65





Body Unit

GFD 35
GFD 45
GFD 65

| KEY | PART No | DESCRIPTION |
|-----|-------------------------------------|---|
| 1 | 418321-2 | HANGER BASKET |
| 2 | 410737-9 421865-G2 418335-1 | TWIN FRYER BASKET (GFD35/45 NICKLE) BLAC SINGLE FRYER BASKET(GFD65) TWIN FRYER BASKET (RED) |
| 3 | 418520-1 418520-2 418520-3 | CRUMB SCREEN (GFD35) CRUMB SCREEN (GFD45) CRUMB SCREEN (GFD65) |
| 4 | 416994-G1 418201-G1 418205-G1 | FLUE ASSY (3 TUBES) GFD35 FLUE ASSY (4 TUBES) GFD45 FLUE ASSY (5 TUBES) GFD65 |
| 5 | SD-36-3 | SELF TAPPING SCREW (8-18 X 3/8 HEX WASHER HD,TYPE AB |
| 6 | 417711-1 | BODY PANEL SST (L.H) |
| 7 | 418438-G1 | HEAT SHIELD |
| 8 | NS-47-79 | PALNUT 3/16 |
| 9 | 418327-G2 418327-G4 | DOOR ASSY (GFD35 / 45) DOOR ASSY (GFD65) |
| 10 | SD-32-7 NS-44-9 | SELF TAPPING SCREW (10-24 X 1/2 HEX WASHER HD, TYPE TT) NUT ASSY (10-24 HEX KEPS) |
| 11 | 416936-2 SC-120-4 | HANDLE SCREW (10-24 X 1 TRUSS HD) |
| 12 | 418906-1 418907-1 | CASTOR (RIGID) CASTOR (SWIVEL BRAKE) |
| 13 | 417853-5 | NUT (BASKET 1/2 13) |
| 14 | 413112-7 | LEG (6 1/4) SST |
| 15 | 419580 | BRACKET (POWER SUPPLY MOUNTING) |
| 16 | 408834-1 SD-36-8 | MAGNET (DOOR) SELF TAPPING SCREW (8-32 X 3/8 HEX WASHER HD, TYPE TT) |
| 17 | 417711-2 | BODY PANEL SST (R.H) |
| 18 | 417008-G1 | BAFFLE ASSY |



Body Unit

GFD 35

GFD 45

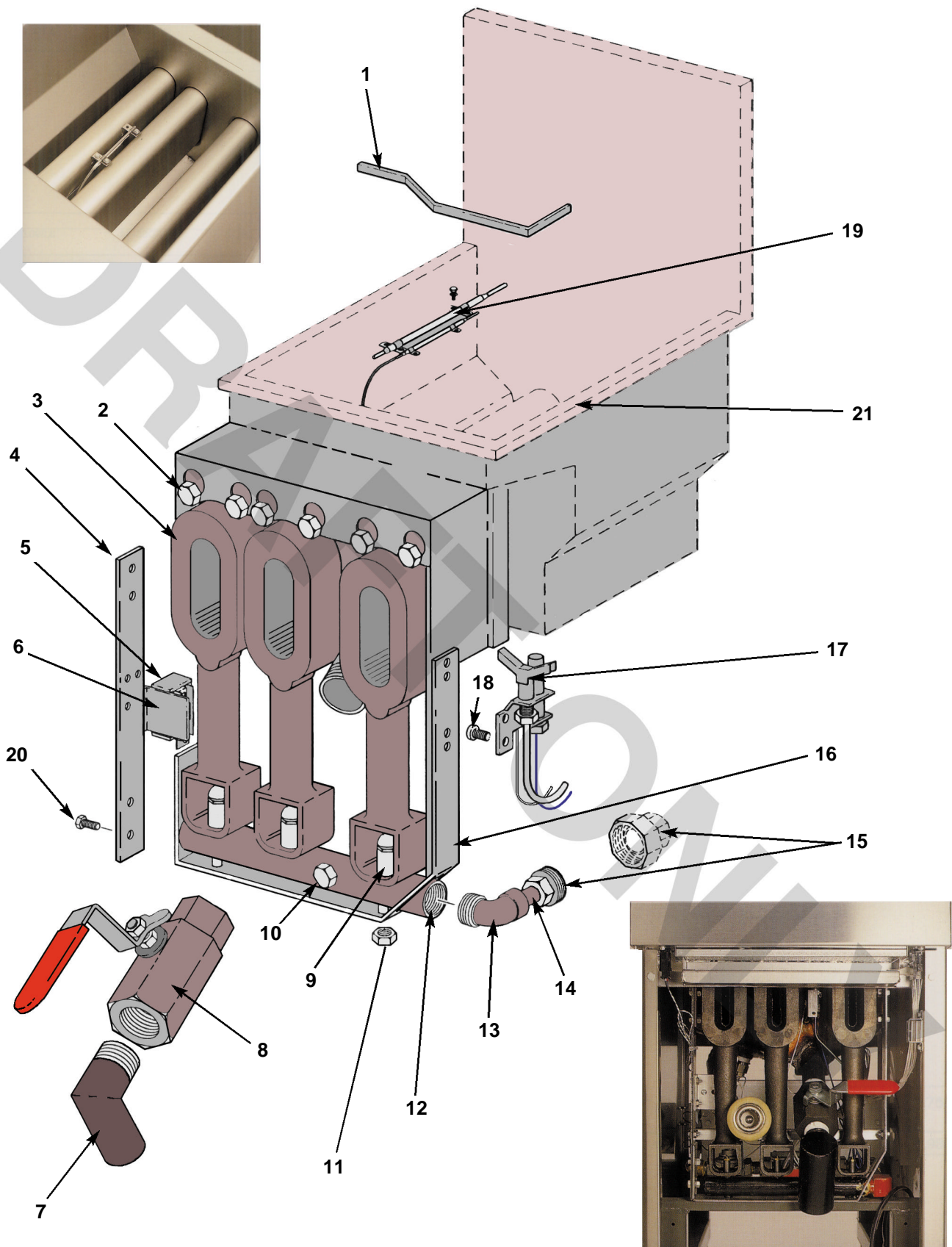
GFD 65

| KEY | PART No | DESCRIPTION |
|-----|----------------------|---|
| 19 | SD-32-7 | SELF TAPPING SCREW |
| 20 | 417014-1 418320-1 | BRACKET REAR SUPPORT (GFD35 / 45) BRACKET REAR SUPPORT (GFD65) |
| 21 | 416959-2 418336-2 | FLUE WRAP SST (3 OR 4 TUBE) FLUE WRAP SST (5 TUBE) |
| 22 | SD-32-7 | SELF TAPPING SCREW |
| 23 | 418304-1 | HINGE (BOTTOM) DOOR |



Burner Components

GFD 35
GFD 45
GFD 65





Burner Components

GFD 35
GFD 45
GFD 65

| KEY | PART No | DESCRIPTION |
|-----|--|--|
| 1 | 409300-5 | ROD (CLEAN OUT) |
| 2 | SC-62-7 | CAP SCREW (5/16-18 X 1/2 HEX HD) |
| 3 | 410681-2 | BURNER |
| 4 | 417714-1 | EXTENSION HANGER |
| 5 | 419670-2 419548 SD-15-24 NS-44-14 SD-36-80 | THERMOSTAT (HI-LIMIT -W/STUFF BOX) BRACKET SCREW (1/4-20 X 1/2) NUT (1/4-20 HEX KEPS) SCREW (8-32 X 3/8) |
| 6 | 419587 | BRACKET (PULL ROD) |
| 7 | 422139-G1 | DRAIN EXTENSION (422139-G2 -same part) |
| 8 | 414212-4 | VALVE |
| 9 | 010901-40 010901-52 | ORIFICE SPUD (NAT. GAS) ORIFICE SPUD (L.P. GAS) |
| 10 | FP-85-53 | PIPE PLUG (1/8) |
| 11 | NS-47-72 | LOCK NUT (1/4-20) |
| 12 | 418209-1 | MANIFOLD BURNER |
| 13 | FP-86-74 | ELBOW-PIPE (1/2 X 90 DEG.) |
| 14 | FP-35-94 | PIPE (1/2 X 1 1/2 LG T.B.E) |
| 15 | FP-22-11 | UNION PIPE |
| 16 | 418208-1 418211-1 418317-1 | HANGER MANIFOLD (3 TUBES) HANGER MANIFOLD (4 TUBES) HANGER MANIFOLD (5 TUBES) |
| 17 | 423277-1 | BURNER PILOT ASSY (NAT. GAS) |
| 18 | SC-18-32 | SCREW (8-32 X 3/8 PAN HD.) |
| 19 | 402558-6 417522-1 SD-35-2 | CLAMP CLIP-CAPILLARY SCREW (8-18 X 3/8) |



Burner Components

GFD 35

GFD 45

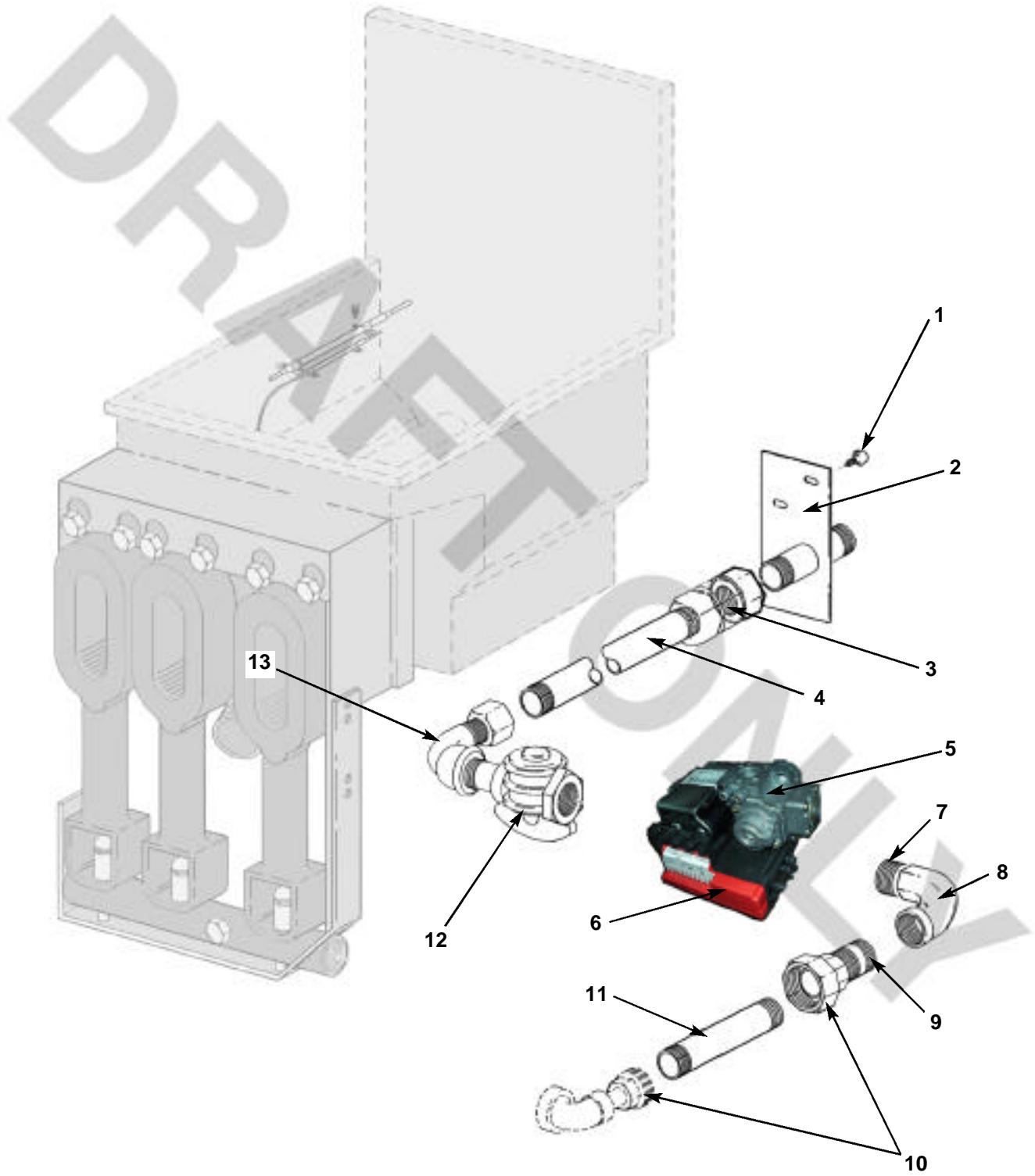
GFD 65

| KEY | PART No | DESCRIPTION |
|-----|-------------------------------------|---|
| 19 | 402558-6 417522-1 SD-35-2 | CLAMP CLIP (CAPILLARY) SCREW (SELF TAPPING 8-18 X 3/8 HEX WASHER HD, TYPE AB |
| 20 | SD-15-24 NS-44-14 | SCREW (SELF TAPPING 1/4-20 X 1/2 HEX WASHER HD,TYPE TT NUT (1/4-20 HEX KEPS) |
| 21 | 416942-G5 418192-G2 418196-G2 | TANK ASSY SST (3 TUBES) TANK ASSY SST (4 TUBES) TANK ASSY SST (5 TUBES) |



Gas Inlet Manifold

GFD 35
GFD 45
GFD 65





Gas Inlet Manifold

GFD 35

GFD 45

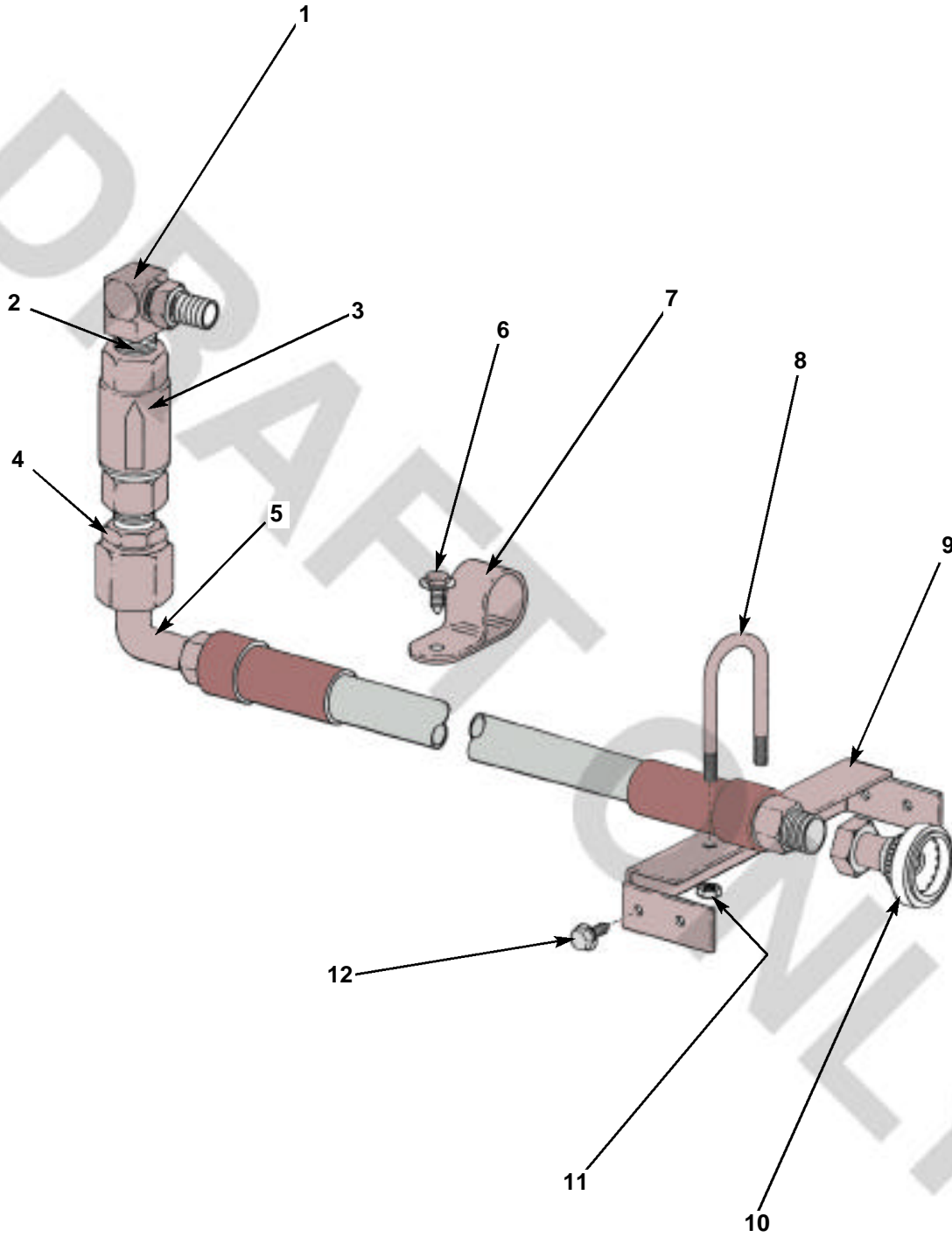
GFD 65

| KEY | PART No | DESCRIPTION |
|-----|-----------|--|
| 1 | SD-32-7 | SCREW (10-24 X 1/2 HEX WASHER HD, TYPE TT |
| 2 | 418538-G1 | COUPLING WELDMENT |
| 3 | FP-12-39 | FITTING-TUBE (5/8 TBG X 1/2 FPT BRASS) |
| 4 | 418561-1 | TUBE-GAS |
| 5 | 359647-1 | GAS VALVE ASSY |
| 6 | 359650-2 | IGNITION MODULE PILOT W/ LOCK-OUT |
| 7 | FP-59-1 | PIPE (1/2 X 1 3/4 LG, TBE) |
| 8 | FP-13-15 | ELBOW-PIPE (1/2 X 90DEG) |
| 9 | FP-35-94 | PIPE (1/2 X 1 1/2 LG, TBE) |
| 10 | FP-22-11 | UNION-PIPE |
| 11 | ??????? | PIPE |
| 12 | 408604-3 | VALVE (GAS SHUT-OFF) |
| 13 | FP-86-20 | ELBOW (90 DEG, FEMALE 5/8 X 1/2 FPT) |



Oil Return (Stand Alone)

GFD 35
GFD 45
GFD 65





**Oil Return
(Stand Alone)**

**GFD 35
GFD 45
GFD 65**

| KEY | PART No | DESCRIPTION |
|-----|-----------|--------------------------------|
| 1 | 419251-1 | ELBOW (1/2 NPTF MALE SWIVEL) |
| 2 | FP-35-91 | PIPE (1/2 X 1 1/8 TBE) |
| 3 | 418786-1 | VALVE-CHECK (BALL CONE) |
| 4 | 419211-1 | ADAPTER (PIPE TO FLARE) |
| 5 | 418966-1 | OIL RETURN LINE |
| 6 | SD-32-7 | SCREW (10-24 X 1/2 HEX) |
| 7 | 78752-3 | CLAMP |
| 8 | 521820 | " U " BOLT (1/4 - 20) |
| 9 | 417892-1 | BRACKET-OIL RETURN (GFD35) |
| | 418334-1 | BRACKET-OIL RETURN (GFD45) |
| | 418359-1 | BRACKET-OIL RETURN (GFD65) |
| 10 | 418791-G1 | QUICK DISCONNECT ASSY |
| 11 | NS-44-14 | NUT (1/4 - 20 HEX KEPS) |
| 12 | SD-32-7 | SCREW (10-24 X 1/2 HEX) |
| | NS-44-9 | NUT ASSY (10-24 HEX KEPS) |

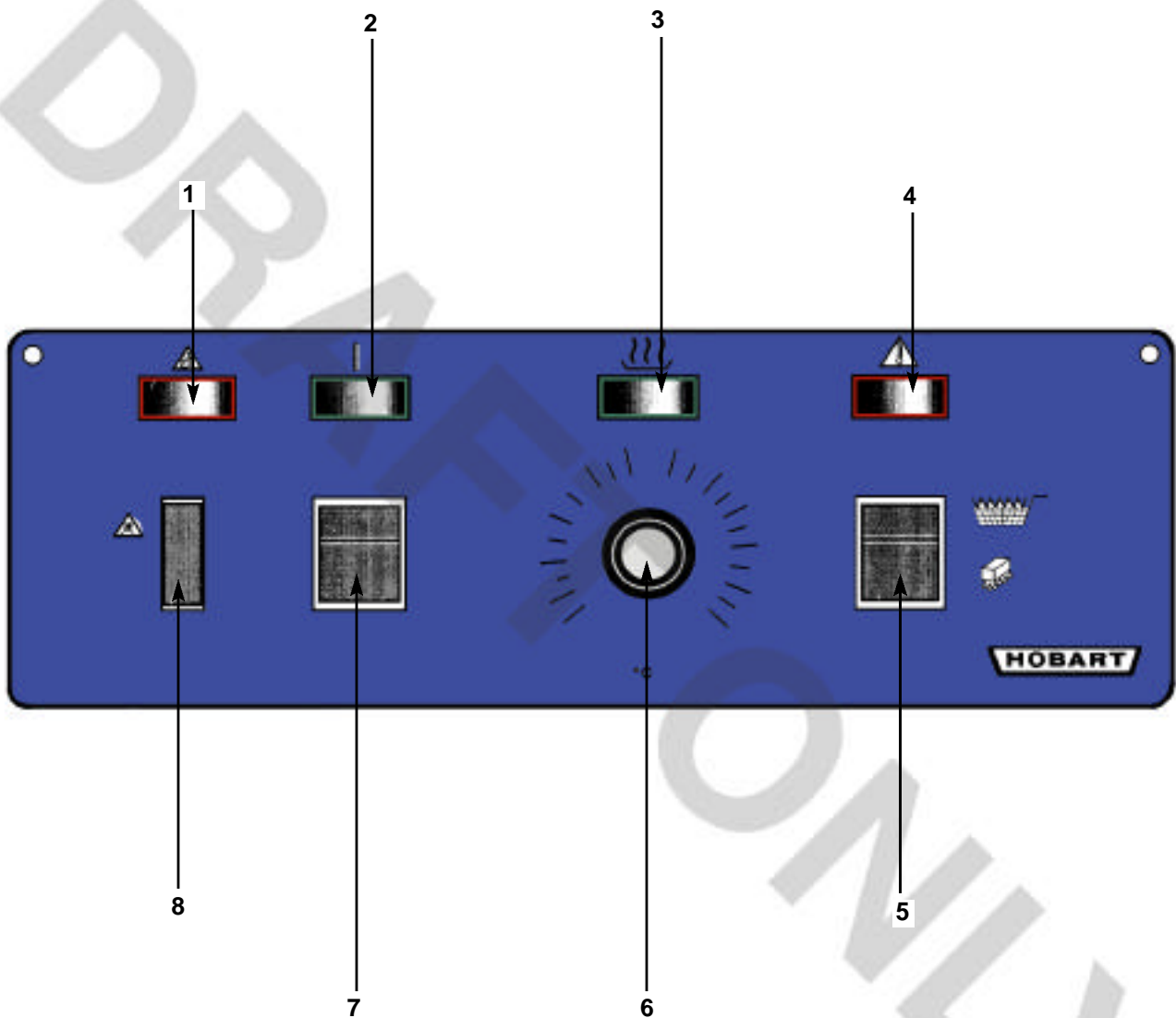
ACCESSORY (NOT SHOWN ON DRAWING)

| | |
|-----------|--------------------------------|
| 410682-4 | HOSE-FLEX 4' |
| 410682-5 | HOSE-FLEX 5' |
| 410682-6 | DISCONNECT-QUICK |
| 414848-G2 | VAT COVER ASSY (GFD 35 / 45) |
| 418358-G1 | VAT COVER ASSY (GFD65) |
| 407023-1 | HANDLE (VAT COVER ASSY) |
| 405686 | BAG-FILTER |
| 419319 | POWER CORD (FILTER) |



Control Panel

GFD 35
GFD 45
GFD 65



P.C.B (ALL GFD MODELS) = 415144-13



Control Panel

GFD 35

GFD 45

GFD 65

| KEY | PART No | DESCRIPTION |
|-----|-----------|---------------------------|
| 1 | 423142-1 | INDICATOR LAMP (RED) |
| 2 | 423142-2 | INDICATOR LAMP (GREEN) |
| 3 | 423142-2 | INDICATOR LAMP (GREEN) |
| 4 | 423142-1 | INDICATOR LAMP (RED) |
| 5 | 423141-2 | FRY / MELT SWITCH |
| 6 | 415638-G1 | POTENTIOMETER / KNOB ASSY |
| 7 | 423141-1 | ON - OFF SWITCH |
| 8 | 423138-1 | RESET SWITCH |
| | 415144-13 | P.C.B (ALL GFD MODELS) |

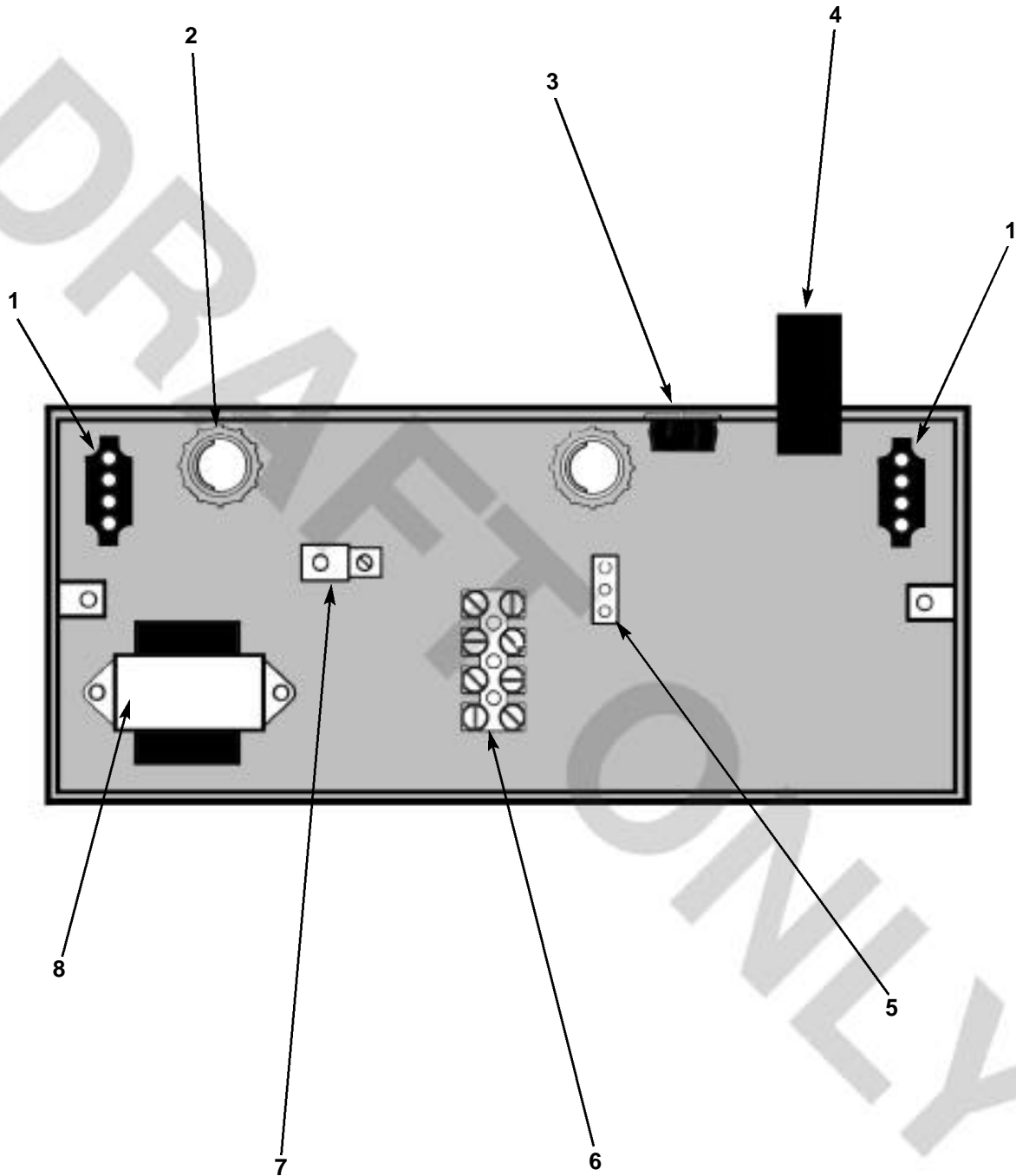


Power Supply Box

GFD 35

GFD 45

GFD 65



**Power Supply Box****GFD 35****GFD 45****GFD 65**

| KEY | PART No | DESCRIPTION |
|-----|----------------------------------|--|
| 1 | 414229-13 414229-14 | BLOCK PIN (4 CIRCUIT) BLOCK RECEPTICAL (4 CIRCUIT) |
| 2 | FE-23-37 412263-5 | CONNECTOR - CONDUIT (1/2 TS) BUSHING UNIVERSAL HEYCO (PLASTIC) |
| 3 | FE-24-28 | BUSHING |
| 4 | 422547-1 | BLOCK PIN (WALDOM / MOLEX) |
| 5 | 419317 | BUSS GROUND (6 CIRCUIT) |
| 6 | 414208-4 414208-1 414208-3 | BLOCK TERMINAL (5 POSITION TYPE 10 E/4) BLOCK TERMINAL (4 POSITION TYPE 10 E/4) BLOCK TERMINAL (2 POSITION TYPE 10 E/4 DS) |
| 7 | 417856-1 | GROUNDING LUG |
| 8 | 359432-1 | TRANSFORMER (230 / 12 / 24) |



As continued product improvement is a policy of HOBART, specifications are subject to change without notice.