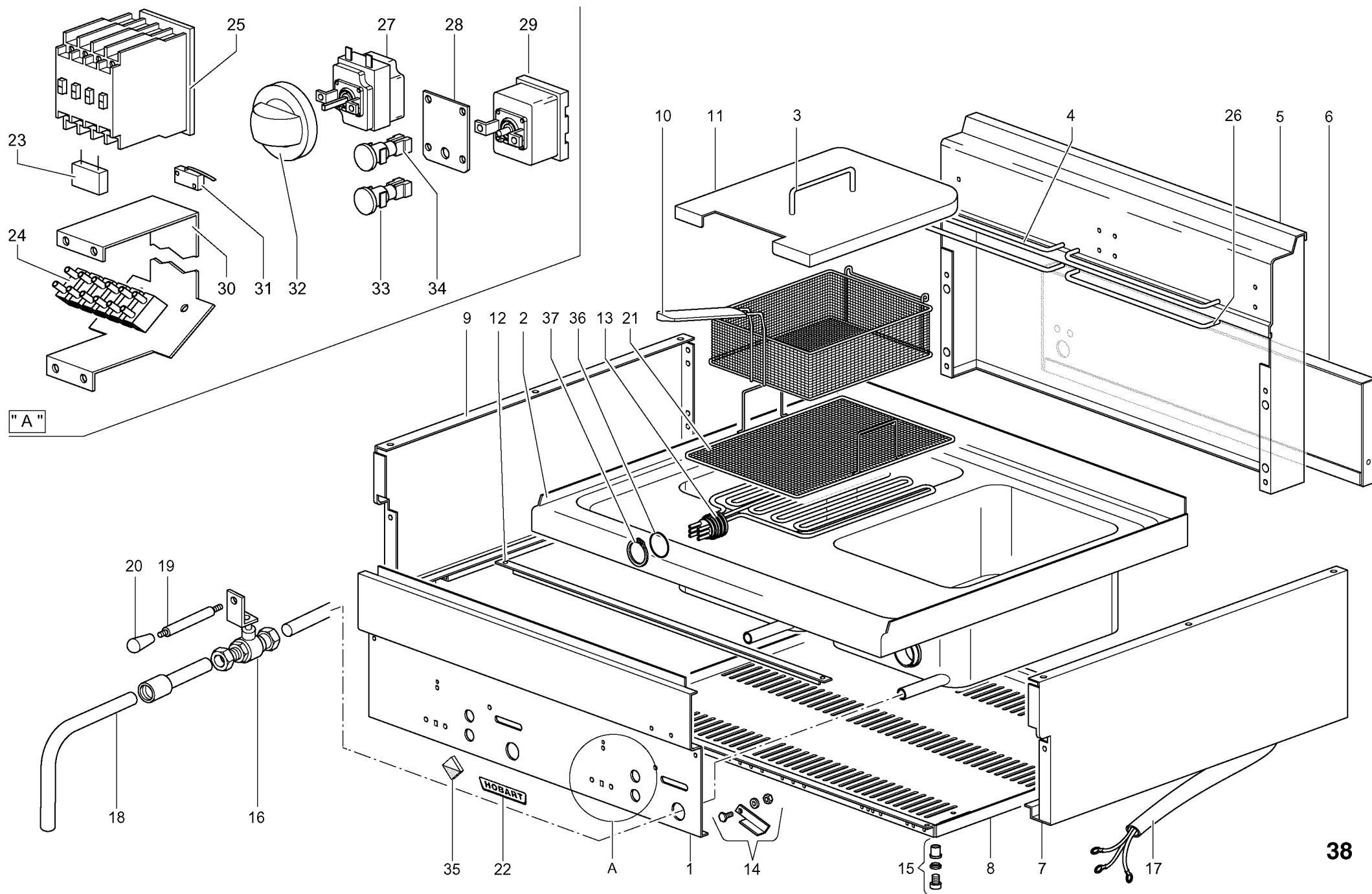




HEF66





## HEF66

Key No	Part No	Description
1	PACU600420	Control panel
2	GACU600049	Tank
3	RTBF800020	Handle
4	RTCU600081	Hook for tank
5	GACU600111	Chimney
6	PACU600054	Stainless steel back panel
7	PACU600003	Right side Panel
8	PACU600027	Bottom
9	PACU600002	Left side Panel
10	A660310	Basket
11	144605-35	Cover
12	PACU600125	Crossbar
13	144605-74	Element EF46
14	PACU600429	Lock rod
15	144605-59	Foot
16	144605-51	Water discharge tap
17	RTCU900423	Feeding cable
18	RTCU700318	Discharge pipe
19	RTCU600422	Tap rod
20	144605-92	Safety valve knob
21	144605-73	Grate
22	144605-125	HOBART - Logo Gold
23	144605-115	Suppressor
24	144605-43	Terminal block 6 poles



## HEF66

Key No	Part No	Description
25	144605-116	Relay
26	RTCU600082	Hook for tank
27	144605-102	Thermostat
28	PACU600129	Squadra porta termostato??????
29	RTBF800I64	Limit thermostat
30	PACU600245	Terminal board bar
31	144605-15	Microswitch
32	144605-101	Thermostat knob
33	144605-110	Green warning lamp
34	144605-107	Yellow warning lamp
35	RTCU700293	Indicators
36	144605-99	O-Ring 159
37	144605-119	Seeger Ring