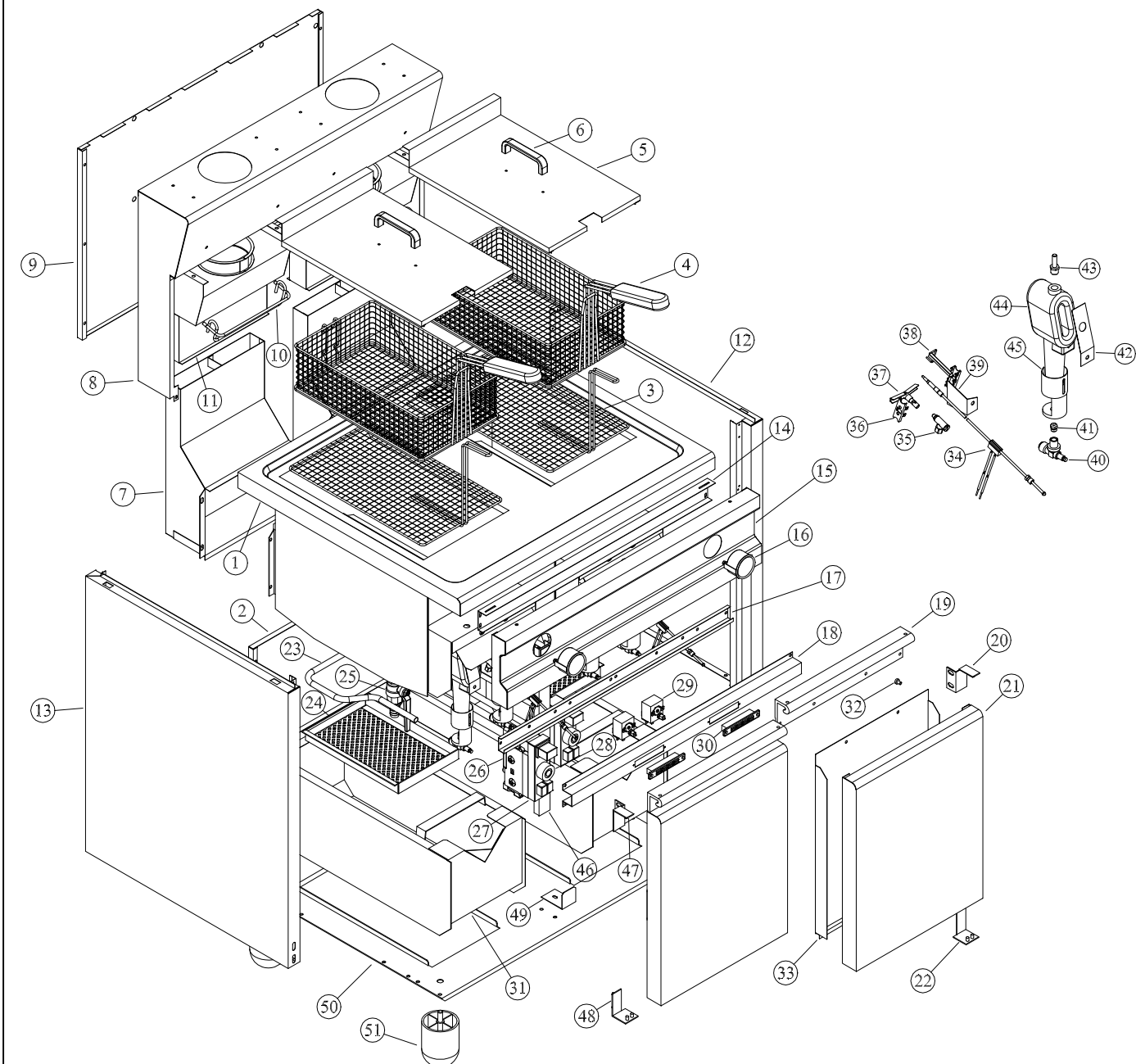


# GF 25+25 S



P	Codice	Q.TA'	Desc.IT	ENGLISH	SAPNISH	GERMAN	FRANCE
1	162069	1	PIANO CON VASCA	THANK	ENCIMERA CON CUBETA	FLÄCHE MIT BECKEN	CUVE
2	161966	1	RETRO CARROZZERIA	BACK	PARTE TRASERA CARCASA	AUFBAU-RÜCKSEITE	PANNEAU POSTERIEUR CARROSSERIE
3	162058	2	FILTRO	FILTER	FILTRO	FILTER	FILTRE
4	162057	2	CESTELLO	BASKET	CESTA	KORB	PANIER
5	162056	2	COPERCHIO	COVER	TAPADERA	DECKEL	COUVERCLE CUVE
6	RIC0003277	2	MANIGLIA COPERCHIO	COVER HANDLE	ASA TAPADERA	DECKELGRIFF	POIGNEE COUVERCLE
7	161728	2	CAMINO INTERNO	INTERNAL CHIMNEY	CHIMENEA INTERIOR	INTERNER KAMIN	CHEMINEE INTERIOR
8	162018	1	CAMINO ESTERNO	OUTSIDE CHIMNEY	CHIMENEA EXTERIOR	EXTERNER KAMIN	CHEMINEE ESTERIOR
9	162012	1	RETRO CAMINO	BACK CHIMNEY	PARTE TRASERA CHIMENEA	KAMINRÜCKSEITE	DERRIERE CHEMINEE
10	161934	2	GANCIO PER CESTELLO	BASKET HOOK	GANCHO PARA CESTA	KORBHAKEN	CROC POUR PANIER
11		2	CONVOGLIATORE FUMI	COVEYER SMOKE	TRANSPORTADOR HUMOS	RAUCHLEITBLECH	CONVOYEUR FUMEE
12	162059	1	LATERALE DX	RIGHT SIDE	LATERAL DCHO.	SEITENWAND RECHTS	PANNEAU DROITE
13	162061	1	LATERALE SX	LEFT SIDE	LATERAL IZQ.	SEITENWAND LINKS	PANNEAU GAUCHE
14	162009	1	ANGOLARE FERMA FRONTALE	SUPPORT FRONT PANEL	CANTONERA PIEZA FRONTAL	WINKELPROFIL FÜR STIRNBRETTBEFESTIG UNG	SUPPORT PANNEAU CONTROL
15	162024	1	FRONTALE	FRONT PANEL	PIEZA FRONTAL	STIRNBRETT	PANNEAU CONTROL
16	161827	2	TERMOMETRO	THERMOMETER	TERMÓMETRO	THERMOMETER	THERMOMETRE
17		1	ANGOLARE PORTA BRUCIATORE				
18	162011	1	ANGOLARE PORTA CALAMITA	MAGNET SUPOORT	CANTONERA PUERTA IMÁN	WINKELPROFIL FÜR MAGNETBEFESTIGUNG	SUPPORT AIMANT
19		2	MANIGLIA PORTA				
20	161754	1	CERNIERA DX SUPERIORE	HIGH HINGE DX	BISAGRA SUPERIOR DCHA.	OBERES RECHTES SCHARNIER	CHARNIERE SUPERIEUR DROITE
21	161724	2	PORTA + MANIGLIA	DOOR WITH HANDLE	PUERTA	TÜR	PORTE AVEC MANETTE
22	161755	1	CERNIERA DX INFERIORE	LOWE HINGE DX	BISAGRA INFERIOR DCHA.	UNTERES RECHTES SCHARNIER	CHARNIERE INFERIEUR BROITE
23		1	SERIE TUBI	PIPING GAS	TUBOS	ROHRE	TUBE
24	161705	2	FILTRO VASCA RACCOGLIOLIO	FILTER TANK COLLECTION OIL	FILTRO CUBETA RECOGE-ACEITE	FILTER ÖLSAMMELSCHALE	FILTRE CUVE OIL
25	161757	2	RUBINETTO	DOWN LOAD TAP OIL	LLAVE	HAHN	RUBINET DE VIDANGE OIL
26	RTCU700574	2	ELETTRIVALVOLA	GAS VALVE	C/VÁLVULA GAS	GASVENTILKÖRPER	ELECTROVANNE
27	RTCU600308	2	COPERCHIO X VALVOLA + PIEZO	GAS VALVE COVER	TAPADERA PARA VÁLVULA + PIEZO	DECKEL FÜR VENTIL+ PIEZOZÜNDUNG	COUVERCLE POUR ELECTROVANNE
28	RTCU900222	2	MANOPOLA PER ELETTRIVALVOLA	GAS VALVE KNOB	SELECTOR PARA ELECTROVÁLVULA	DREHSCHALTER FÜR MAGNETVENTIL	MANETTE POUR ELECTROVANNE
29	RTBF900094	2	TERMOSTATO SICUREZZA POSITIVA	SAFETY THERMOSTAT	TERMOSTATO SEGURIDAD	SICHERHEITSTHERMOS	THERMOSTAT DE

						TAT	SECURITE
30	RTTAV00093	2	CALAMITA	MAGNET	IMÁN	MAGNET	AIMANT
31	162052	2	VASCA RACCOGLIOLIO	COLLECTION OIL THANK	CUBETA RECOGE-ACEITE	ÖLSAMMELSCHALE	CUVE OIL
32	162074	8	GOMMINO PORTA	RUBBER CUP	TAPÓN DE GOMA PUERTA	GUMMI-TÜRSTOPFEN	CAPSOULE EN CAOUTCHOUC
33	161726	2	CONTROPORTA	INTERNAL SIDE DOOR	CONTRAPUERTA	TÜR-GEGENPLATTE	CONTRE PORTE
34	RTCU700651	2	TERMOCOPPIA INTERROTTA	TERMOC	TERMOPAR CORTADA	UNTERBROCHENES THERMOELEMENT	THERMOCOUPLE COUPE
35	163856	2	PILOTA	GAS PILOT	PILOTO	LEITFLAMME	CORP VEILLEUSE
36	161850	2	STAFFA SEMPLICE	PILOT SUPPORT	ESTRIBO SIMPLE	EINFACHES SPANNEISEN	SUPPORT VEILLEUSE
37	RTGU700571	2	CANNELLO DI INTERACCENSIONE	PILOT	Conjunto Piloto	LEITFLAMMENEINHEIT	CORP VEILLEUSE
38	161821	2	CANDELA PER FRIGG.	SPARK PLUG	BUJÍA PARA FREÍR	KERZE FÜR FRITEUSE	BOUGIE D'ALLUMAGE
39	161749	2	STAFFA CON ATTACCO	SUPPORT	ESTRIBO CON ENGANCHE	SPANNEISEN MIT ANSCHLUSS	SUPPORT
40	161826	4	PORTA UGELLO	INJECTOR SUPPORT	SOPORTE INYECTOR	DÜSENHALTER	SUPPORT INJECTEUR
41	TAB.	4	UGELLO	INJECTOR	INYECTOR	DÜSE	INJECTEUR
42	161752	4	PIASTRINA X BRUCIATORE	BURNER PLATE	PLAQUITA PARA QUEMADOR	PLÄTTCHEN FÜR BRENNER	PLAQUE BRUILLEUR
	162111	4	MOLLA FISSAGGIO BULBO	BURNER PIN	PERNO PARA QUEMADORES	BOLZEN FÜR BRENNER	PIVOT POUR BREULEUR
44	161819	4	BRUCIATORE	BURNER	QUEMADOR	BRENNER	BREULEUR
45	RTCU700584	4	BOCCOLA REGOLAZIONE ARIA	BURNER AIR SHUTTER	ANILLA AJUSTE AIRE	LUFTREGERLBUCHSE	DIS. DE REGLAGE POUR L'AIRE
46	162020	1	PORTA ELETTRORVALVOLA				
47	162015	1	CERNIERA SX SUPERIORE	HIGH HINGE DX	BISAGRA SUPERIOR DCHA.	OBERES RECHTES SCHARNIER	CHARNIERE SUPERIEUR DROITE
48	162014	1	CERNIERA SX INFERIORE	LOWE HINGE DX	BISAGRA INFERIOR DCHA.	UNTERES RECHTES SCHARNIER	CHARNIERE INFERIEUR BROITE
49		1	FERMO PORTA				
50	162068	1	FONDO	BOTTOM	FONDO	BODENPLATTE	FOND
51	161813	4	PIEDI	FOOT	PATAS	FÜSSE	PIED

	GPL IT	MET IT	GPL D	M "L" D	M OL
GF25+25S	RTCU700333	RTCU700441			
<b>MARCATURA</b>	<b>105-250K</b>	<b>160-250K</b>			
GPL IT/MET IT=FR-NOR-SVEZ-FIN-BE-DK-ES-IE-OL*-PT-GB-GR-CHFR					
GPL DE ANCHE PER AUSTRIA E CHDE -MET "L"PER DE -MET OL PER OLANDA*					