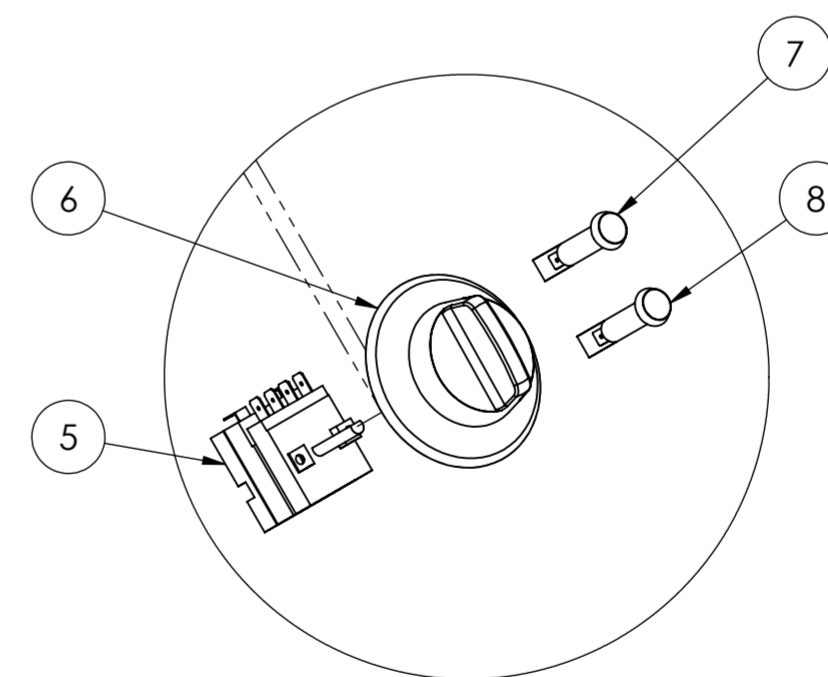
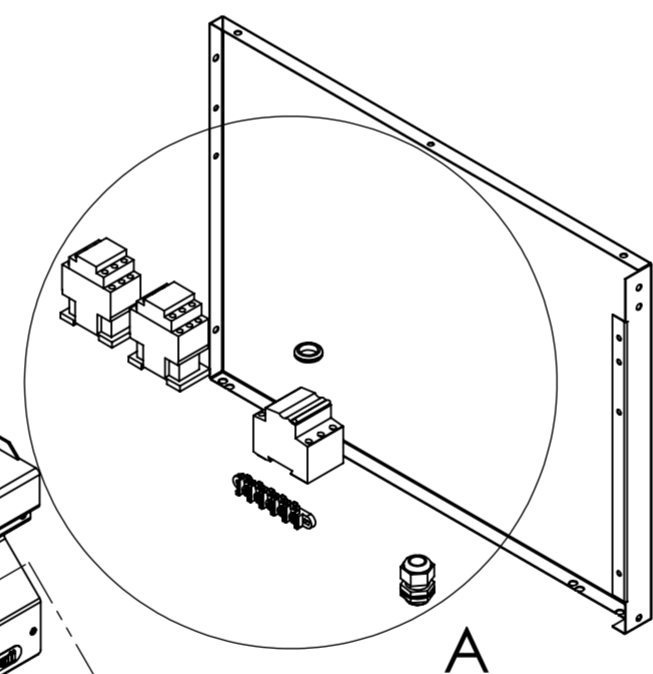
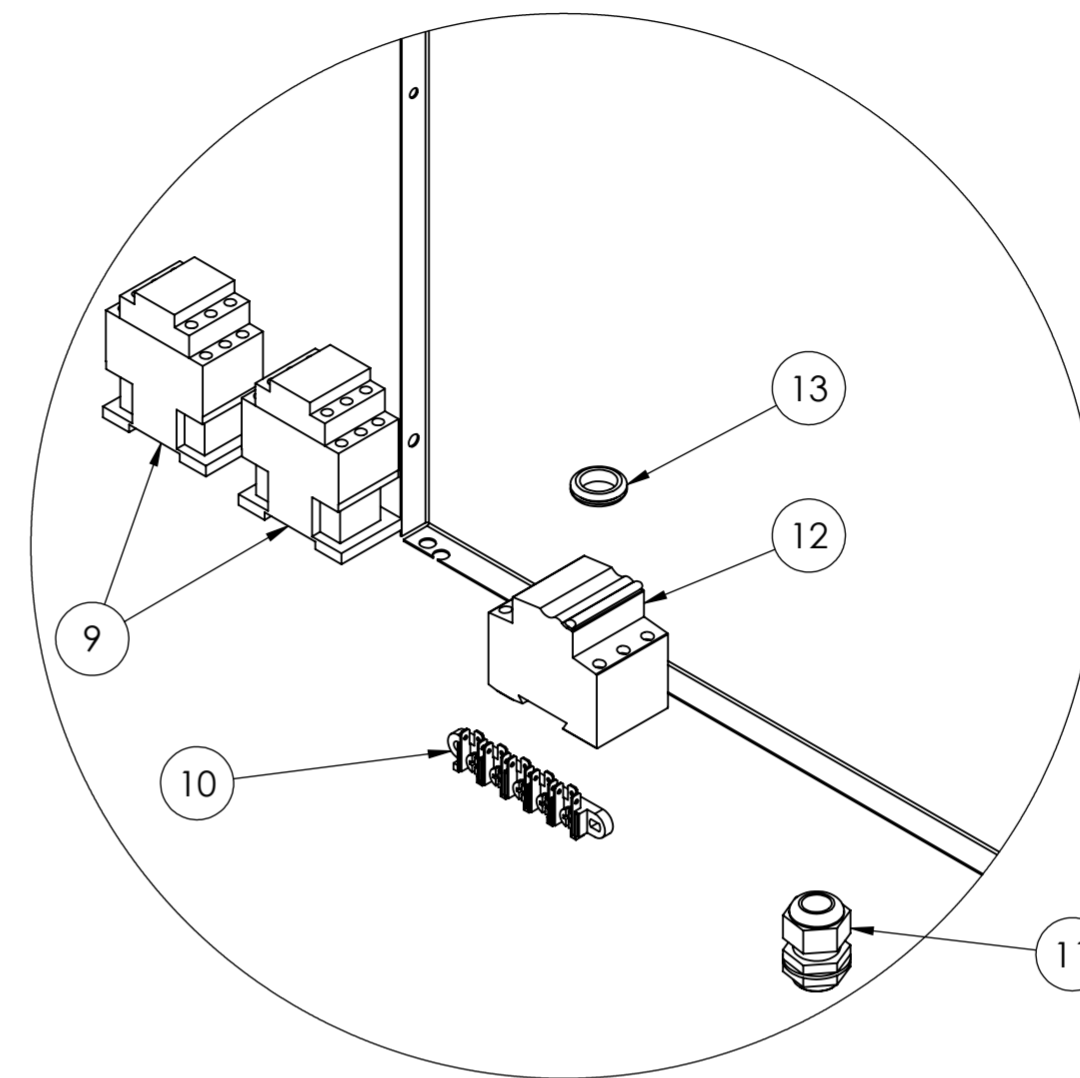
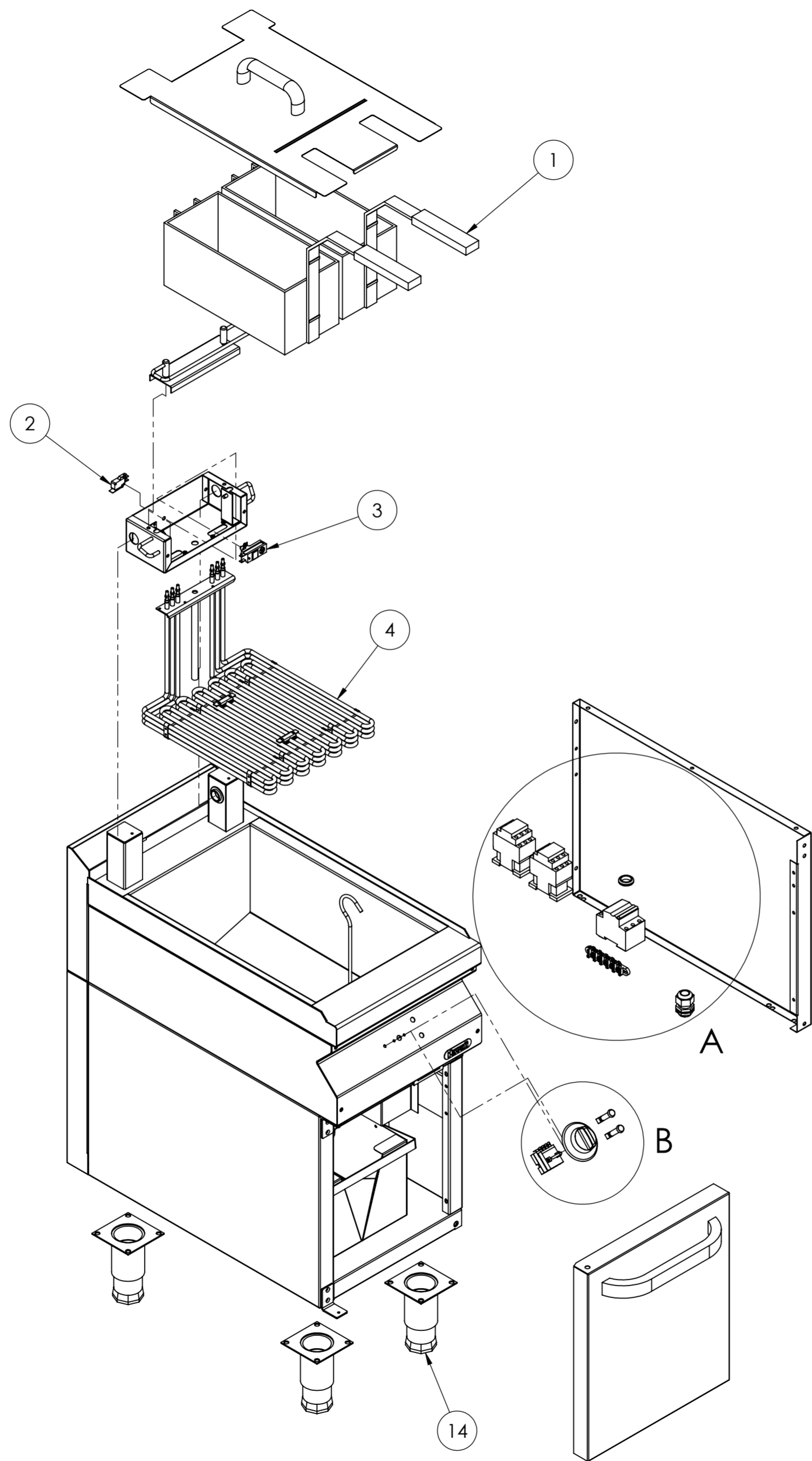


# NEF 18 ER



# NEF 18 ER

NO.	PART CODE	DESCRIPTION	QTY
1.	GS.416MA	Fryer Basket	2
2.	PD.CS56	Microswitch	1
3.	PD.412H	High Limit	1
4.	PS.2115A	Heater Fryer	1
5.	PD.412E	Thermostat	1
6.	PD.405B	Knob	1
7.	PD.414KB	Pilot Light (Green)	1
8.	PD.414JB	Pilot Light (Yellow)	1
9.	KB.5034	Magnetic Contactor	2
10.	PD.409B	Terminal Power 5 Pole	1
11.	PD.CS112	Cable Gland	1
12.	KB.5026	Circuit Breaker	1
13.	PD.407D	Cable Gromet	2
14.	GS.3607A	Adjustable Leg	4