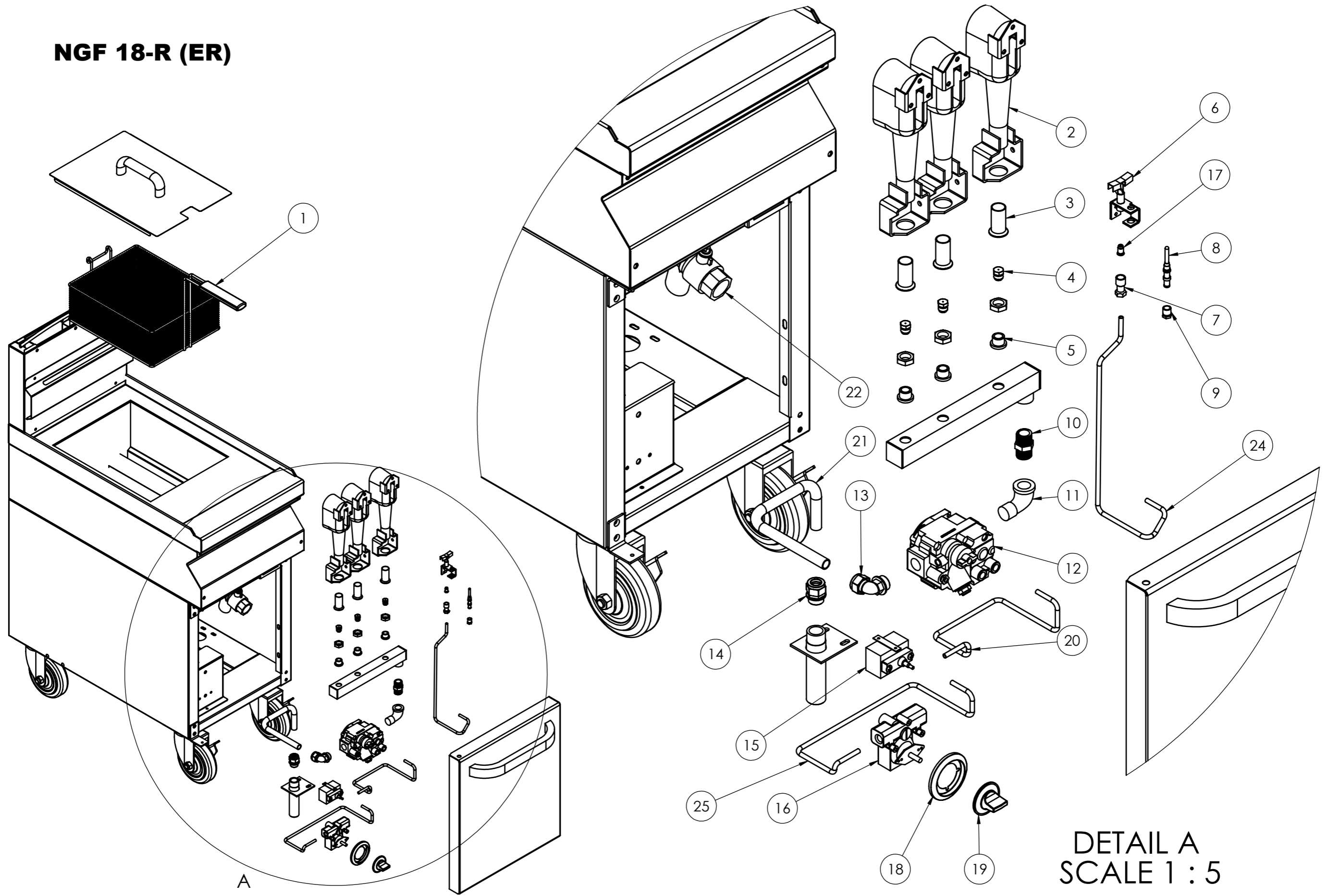


# NGF 18-R (ER)



DETAIL A  
SCALE 1 : 5

**NGF 18-R (ER)**

NO	PART CODE	DESCRIPTION
1	GS.416M	Chrome Plated Fryer Basket
2	PD.2263	Shell Fryer Burner
3	GS.3661	Primary Air Adjuster
4	PD.2265	Nozzle Std D.120
5	PD.9623	Nozzle Holder
6	GS.2186	Pilot Burner
7	GS.2188	Connection for Pilot Burner
8	PD.J123	Thermocouple Sleeve
9	PD.J122	Thermocouple Nut
10	GS.1070	Double Neple 1/2" G/I
11	GS.2107	Elbow Galvanized F x M1/2
12	GS.2181	Gas Control Unitor
13	GS.2101	Elbow C x M1 15mm
14	GS.2301	Connection Straight C x M1 / Coupler
15	GS.2183	Limit Control 450°F
16	GS.2182	Gas Thermostat 200-400°F
17	GS.2187A	Pilot Injector for LPG
	GS.2187B	Pilot Injector for LNG
18	GS.2189A	Chrome Bezel
19	GS.2189C	Black Dial
20	TF18.V.19	Thermostat Pipe
21	TF18.V.18	Gas Inlet Pipe
22	GS.2007	Ball Valve 1"
23	GS.3607A	Adjustable Leg
24	TF18.V.21	Pilot Pipe
25	TF18.V.20	Thermostat Pipe