

**Ersatzteilkatalog**

**Spare parts list**

## **PALUX Compact**

**Elektro-Fritteuse Einbecken**

**Elektro-Fritteuse Doppelbecken**



Dieser Ersatzteilkatalog ist gültig

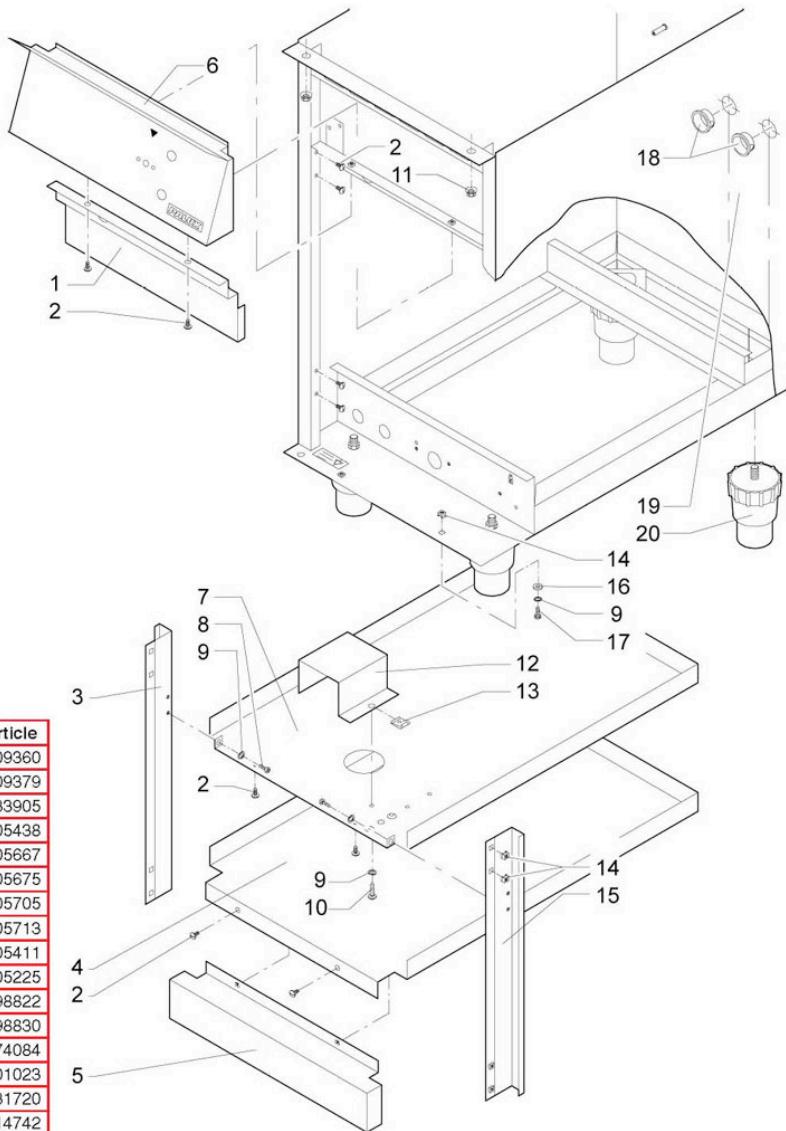
- für Geräte ab Baujahr 1.2000

### Typenübersicht

699047 Elektro-Friteuse Einbecken 400V 3N 8,0 kW EEF124

699055 Elektro-Friteuse Doppelbecken 400V 3N 16,0 kW EEF224

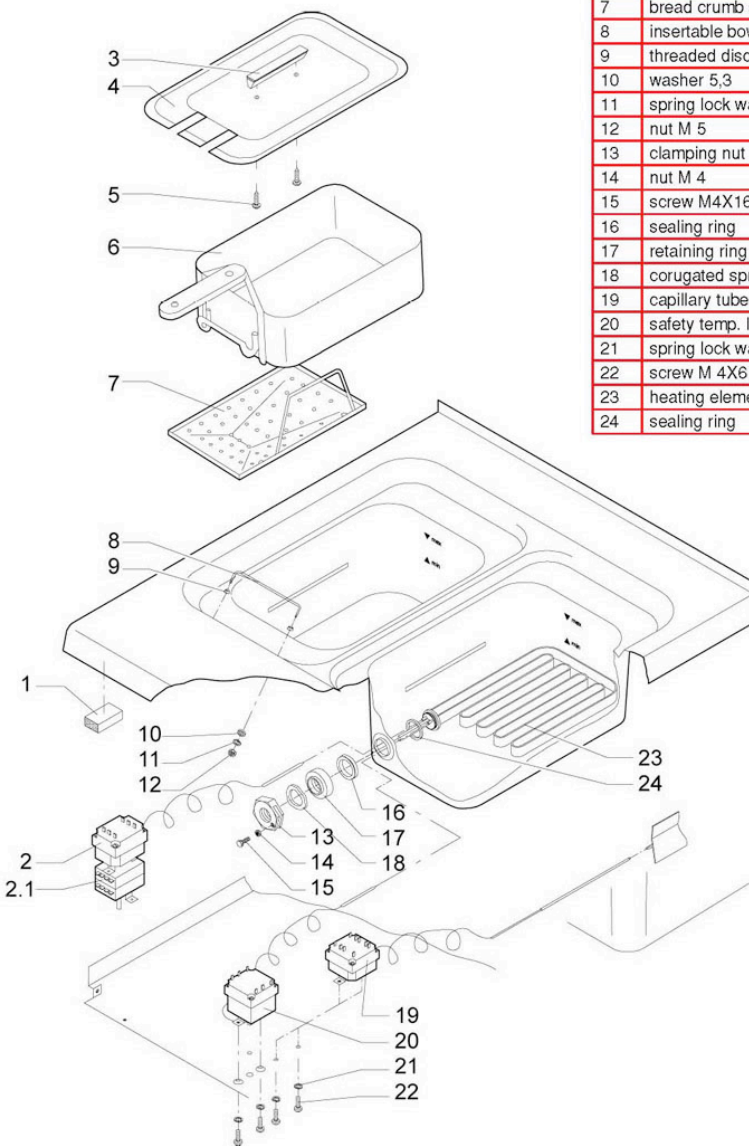
**housing**

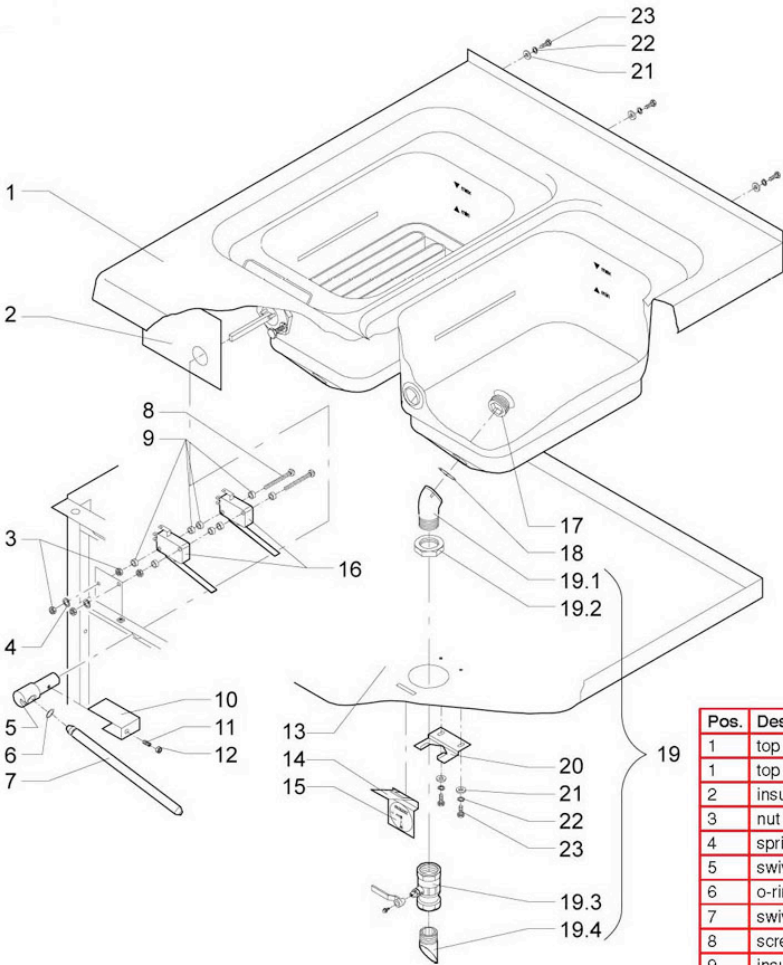


Pos.	Description	Article
1	intermediate sheet metal 400	709360
1	intermediate sheet metal 600	709379
2	oval head screw M4X8	333905
3	installation channel	705438
4	bottom 400	705667
4	bottom 600	705675
5	cover bottom side	705705
5	cover bottom side	705713
6	front panel 400	705411
6	front panel 600	705225
7	intermediate sheet metal 400	698822
7	intermediate sheet metal 600	698830
8	screw M 4X6	174084
9	spring lock washer A4	001023
10	sheet metal screw	031720
11	nut M 6	614742
12	cover sheet	319880
13	snap action nut B3.9	227889
14	captive nut M4	699713
15	installation channel right side	202592
16	washer 4,3	026999
17	screw M 4X10	068217
18	snap fitting	140937
19	casing 400 deep fat fryer	707708
19	casing 600	705977
20	foot for appliance 150	705659

heating element, thermostat

Pos.	Description	Article
1	silicone foam profile joint	858625
2	capacitive regulator 130-180	026611
2.1	rotary selector switch	325384
3	handle	088358
4	lid for single and twin deep fat fryer	271802
5	sheet metal screw	031720
6	basket for deep-fat fryer	271586
7	bread crumb sieve	270679
8	insertable bow	271640
9	threaded disc	125954
10	washer 5,3	082155
11	spring lock washer A5	003964
12	nut M 5	252867
13	clamping nut M 36X1.5	264849
14	nut M 4	003905
15	screw M4X16	189499
16	sealing ring	262153
17	retaining ring deep fat fryer	262161
18	corugated spring lock washer	276308
19	capillary tube controller	136840
20	safety temp. limiter 255	686832
21	spring lock washer A4	001023
22	screw M 4X6	174084
23	heating element 8kW (without sealing ring)	602051
24	sealing ring	261033





Pos.	Description	Article
1	top part	695483
1	top part	698652
2	insulation board	627860
3	nut M 3	000396
4	spring lock washer A3	000418
5	swivel arm bearing	711934
6	o-ring	181897
7	swivel arm rod	711950
8	screw M 3X40	055719
9	insulation bushing	682233
10	switch plate	711918
11	threaded pin M5x10	631744
12	nut M 5	252867
13	intermediate sheet metal 400	698822
13	intermediate sheet metal 600	698830
14	flap	711837
15	adhesive label	363782
16	micro switch	680907
17	screw	640999
18	o-ring	272825
19	ball tap	710903
19.1	nut	063428
19.2	bend 45 G R3/4"	270830
19.3	ball tap	728969
19.4	outlet piece	697575
20	antirotation device	711829
21	washer 4,3	026999
22	spring lock washer A4	001023
23	screw M 4X10	068217

operating panel, electrical connection, cable, documentation

Pos.	Description	Article
1	front panel 400	705411
1	front panel 600	705225
2	covering hood	699012
3	capacitive regulator 130-180	026611
3.1	rotary selector switch	325384
4	signal lamp 250V	694339
5	hose section	632236
6	spring lock washer A4	001023
7	screw M 4X6	174084
8	toggle	388416
9	plug in strip	070858
10	screw M 4X20	010545
11	screw M 4X16 DIN 84	037311
12	mains connecting block	002186
13	armature clamp detachable	388017
14	nut M 6	251887
15	serrated lock washer A6.4	006777
16	washer 6,4	004014
17	terminal bracket	223697
18	adhesive label	217360
19	screw M 6X20	010731
20	signal lamp yellow 250V	694320
21	Palux sign	341738
21	Palux sign	830755
22	diaphragm bushing	232963
23	nut	050954
24	nut	296120
25	cable fitting	050644
26	cable fitting	293997
	cable cpl.	024252
	cable cpl.	331384
	cable harness	539724
	cable cpl.	539759
	cable harness	712736
	cable harness	712744
	cable harness	712752
	adhesive label	217360
	users instructions deep fat fryer	711977

