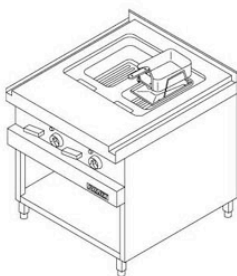


Ersatzteilkatalog

Spare parts list

## PALUX Grossküchengeräte

Maxima II Fritteuse



**Dieser Ersatzteilkatalog ist gültig**

- für Geräte ab Baujahr 1990

**Typenübersicht**

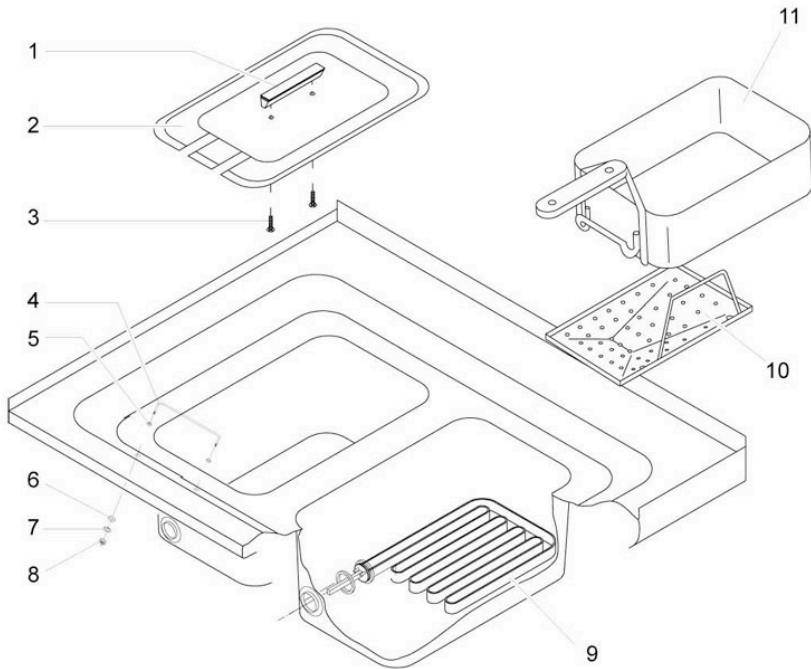
721468 Fritteuse 2 Becken 12 kW

Maxima II 700

722588 Fritteuse 2 Becken 12 kW

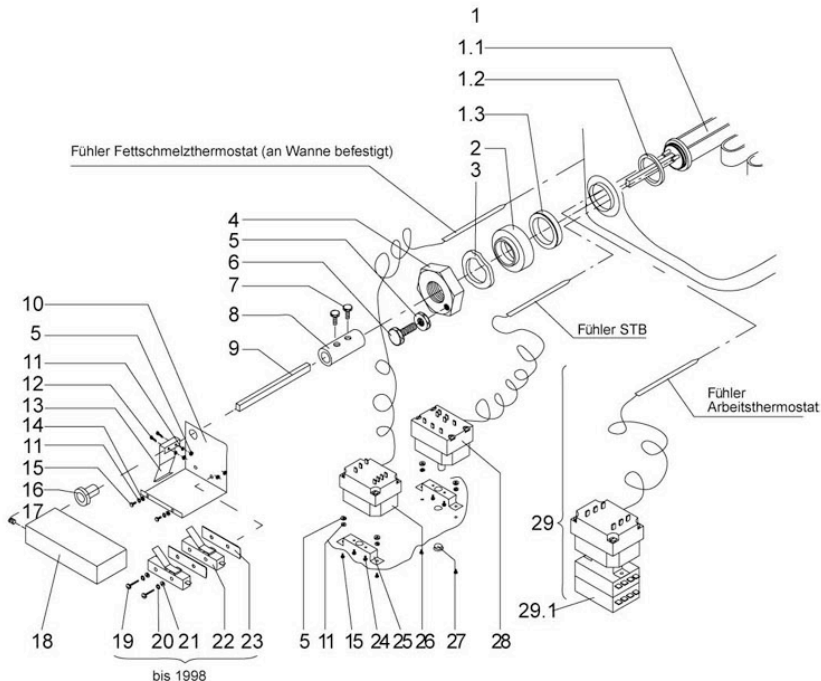
Maxima II 850

## grease tray

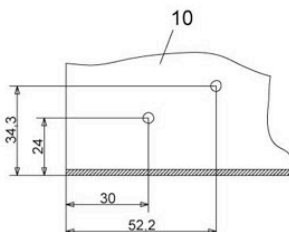
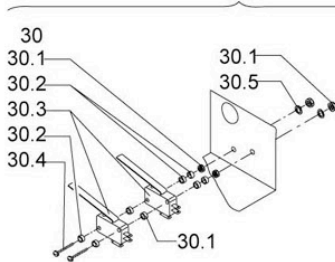


Pos.	Description	Article
1	handle	088358
2	lid for single and twin deep fat fryer	271802
3	sheet metal screw	031720
4	insertable bow	271640
5	threaded disc	125954
6	washer 5,3	082155
7	spring lock washer A5	003964
8	nut M 5	252867
9	heating element for deep-fat fryer	100056
10	bread crumb sieve	270679
11	basket for deep-fat fryer	271586

fastenig for heating element, thermostat

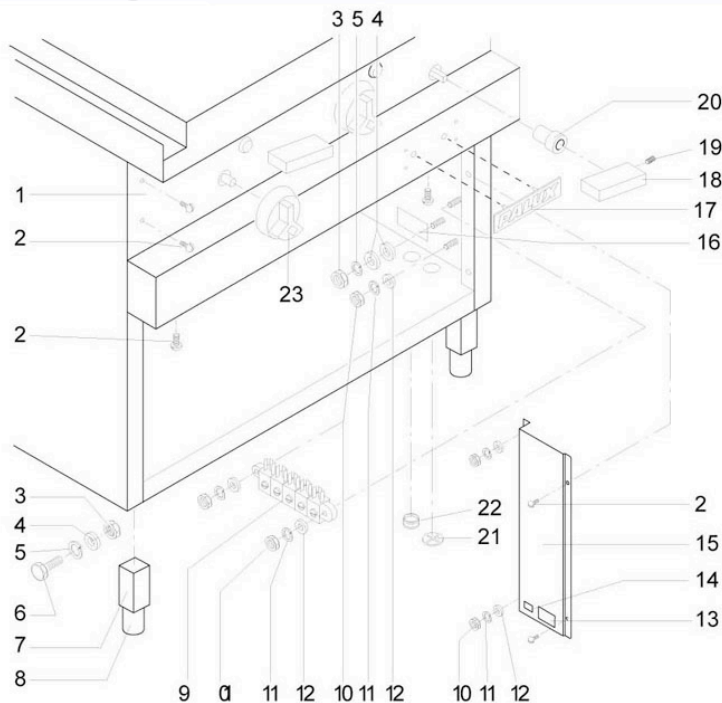


ab 1998



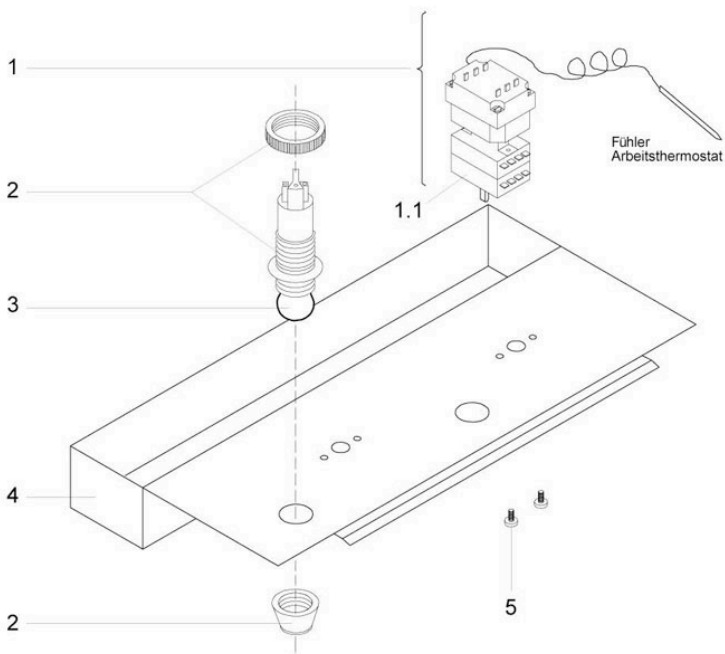
Bei Bedarf Löcher Durchmesser 3,2 mm (bei Austausch der Mikroschalter)

Pos.	Description	Article
1	heating element for deep-fat fryer	100056
1.1	heating element 6 kW	257001
1.2	sealing ring	261033
1.3	sealing ring	262153
2	retaining ring deep fat fryer	262161
3	corugated spring lock washer	276308
4	clamping nut M 36X1.5	264849
5	nut M 4	003905
6	screw M4X16	189499
7	screw M 8X12	267406
8	intermediate piece	363707
9	Achse 8 mm Vierkantstab	
10	Befestigungsblech	
11	spring lock washer A4	001023
12	screw M4X16	189499
13	switch plate	288942
14	washer 3,2	000965
15	screw M 4X10	068217
16	bearing sleeve	096148
17	threaded pin M 5x6	133957
18	handle enamelled	065307
19	screw M 3X40	055719
20	spring lock washer A3	000418
21	washer 3,2	000965
22	Basisschalter VDE (bis 1998)	
23	base f. switch	288950
24	screw M 4X6	174084
25	Befestigung Thermostat	
26	capillary tube controller	136840
27	Stopfen ø 9 mm	
28	safety temp. limiter 260	686832
29	capacitive regulator 130-180	026611
30	micro switch	694223
30.1	nut M 3	000396
30.2	insulation bushing	682233
29.1	rotary selector switch	325384
30.3	micro switch	680907
30.4	screw M 3X40	055719
30.5	spring lock washer A3	000418



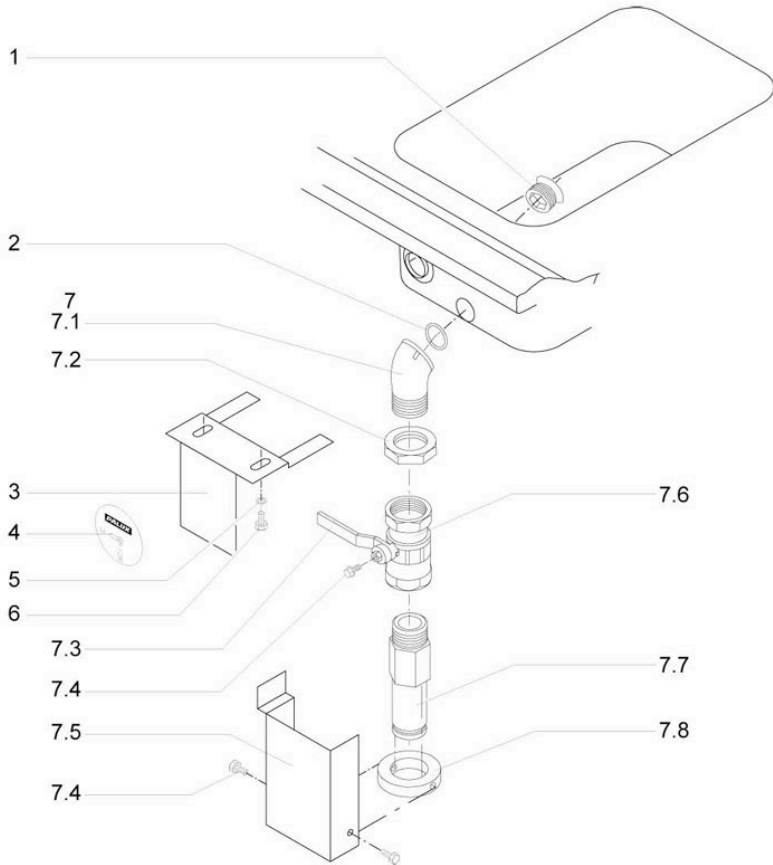
Pos.	Description	Article
1	Frontblende	
2	oval head screw M4X8	333905
3	nut M 6	251887
4	washer 6,4	004014
5	spring lock washer A6	004022
6	screw M 6X25	00393*
7	leg 40x40x1,5	318310
8	knock in foot adj.	294675
9	mains connecting clamp	002186
10	nut M 4	003905
11	spring lock washer A4	001023
12	washer 4,3	001007
13	label	226726
14	Schild "Spannungsfrei Schalten"	
15	Abdeckung Netzanschluß	
16	adhesive label	217360
17	Palux sign	162760
18	handle enamelled	065307
19	threaded pin M 5x6	133957
20	bearing sleeve	096148
21	Durchführung	
22	Blindstopfen	
23	switch toggle	159131
23	toggle	385115
23	toggle	388416

**lamp, capillary tube controller**



Pos.	Description	Article
1	cpacitive regulator 130-180	026611
1.1	rotary selector switch	325384
2	signal lamp white	340820
3	glow lamp	006718
4	Frontblende	
5	screw M 4X6	174084

drain pipe



Pos.	Description	Article
1	screw	640999
2	o-ring	505056
3	antirotation device	363715
4	adhesive label	363782
5	toothed washer 4,3	050849
6	screw M 4X10	068217
7	ball tap	193429
7.1	bend 45 G R3/4"	270830
7.2	nut	063428
7.3	handle	361631
7.4	screw M 4X10	068217
7.5	fuse cover	508160
7.6	ball tap	728969
7.7	outlet piece	270601
7.8	bushing	508152