

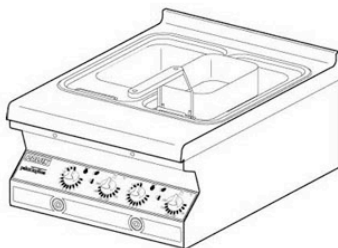
Ersatzteilkatalog

Spare parts list

PALUX Topline Thermik

Topline Deep-fat fryer

Topline Twin-Go Deep-fat fryer



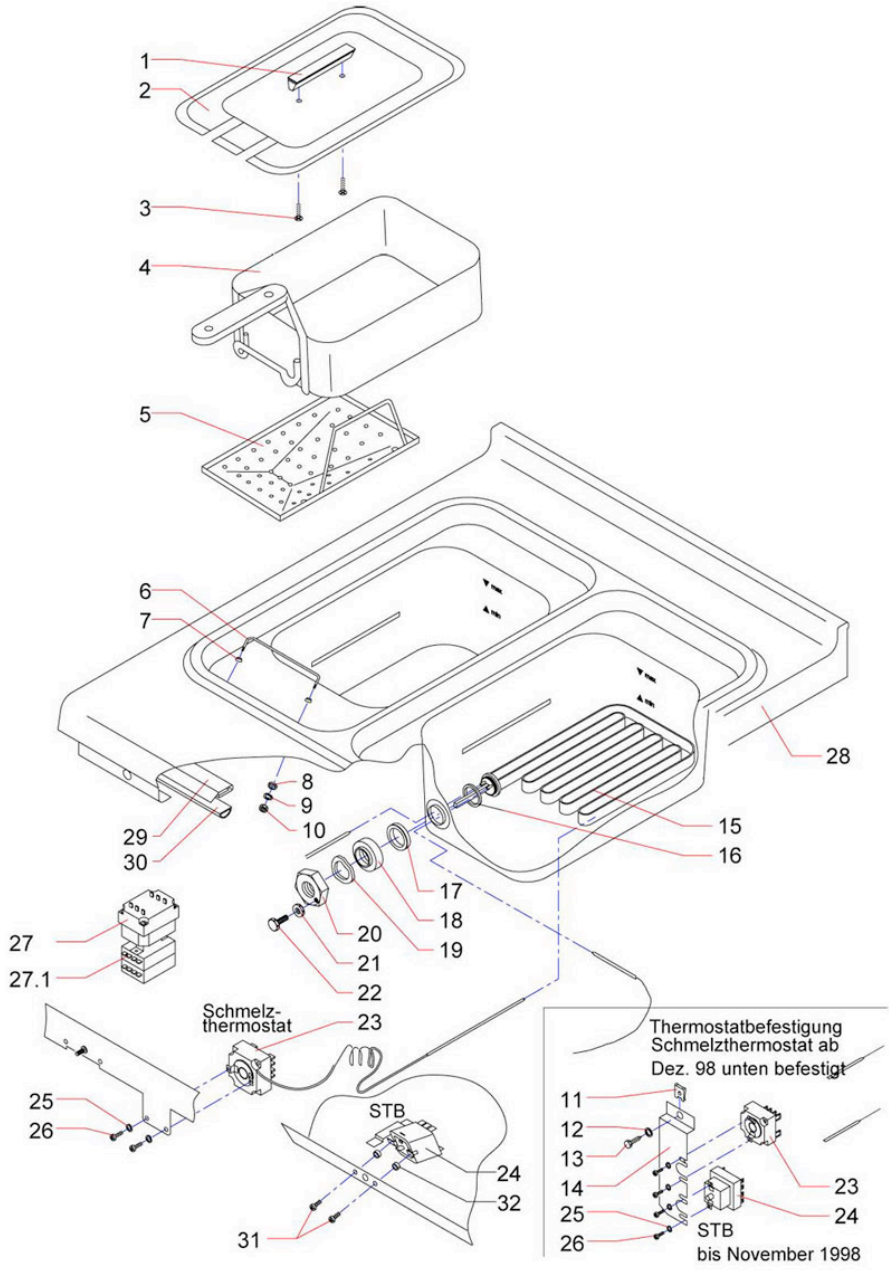
Dieser Ersatzteilkatalog ist gültig / This spare parts list is valid

- Topline Thermik Fritteusen 6 kW ab Baujahr 1994
- Topline Thermik Fritteusen 8 kW Hebeautomatik ab Baujahr 1997
- Topline Thermik Fritteusen 8 kW ab Baujahr 1998
- Topline Thermik Twin-Go Fritteusen 6/8 kW ab Baujahr 1999

Typenübersicht / Summary

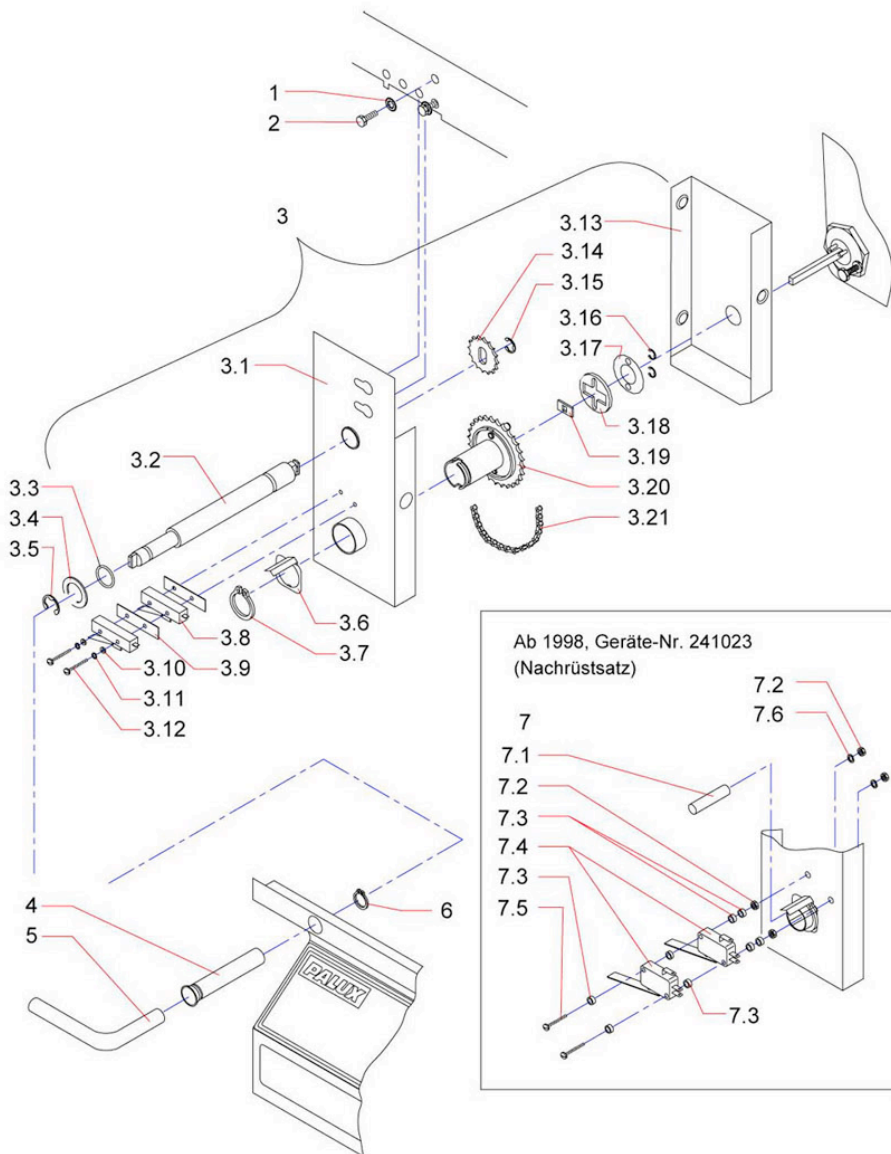
- 502200 Ein-Becken-Fritteuse 6 kW 400VAC3N
- 502308 Zwei-Becken-Fritteuse 2x6 kW 400VAC3N
- 649554 Ein-Becken-Fritteuse 8 kW 400VAC3N
- 649562 Zwei-Becken-Fritteuse 2x8 kW 400VAC3N
- 650943 Ein-Becken-Fritteuse mit Hebeautomatik 8 kW 400VAC3N
- 650951 Zwei-Becken-Fritteuse mit Hebeautomatik 2x8 kW 400VAC3N
- 686336 Ein-Becken-Fritteuse Twin-Go 6 kW 400VAC3N
- 688347 Zwei-Becken-Fritteuse Twin-Go 12 kW 400VAC3N
- 688339 Ein-Becken-Fritteuse Twin-Go 8 kW 400VAC3N
- 688355 Zwei-Becken-Fritteuse Twin-Go 16 kW 400VAC3N

housing, heater, thermostat



Pos.	Description	Article
1	handle for cover, till Nr. 359343 (till 11.00)	088358
2	cover for one basin	271802
2	cover for one basin, type with lifting device	651397
3	screw B 3.9x9,5 St.chr. DIN 7981	031720
4	frying basket cpl.	271586
5	residue sieve cpl.	502189
6	holder for frying basket	271640
7	taped disc	125954
8	lockup washer A 5,3 1.4301 DIN 9021	082155
9	spring lock washer A5	003964
10	nut M5 1.4301 DIN 934	252867
11	nut clip B3,9 1.4301, till 7.99	227889
12	lock up washer A4,3 1.4301 DIN125, till 7.99	001007
13	screw 4,2x13 DIN 7976, since 7.99	011843
14	holder thermostat, till 7.99	502448
15	heater cpl. 230V/6kW, with sealings	100056
15	heater cpl. 230V/8kW, without sealings	602051
16	sealing ring inside PTFE, in pos.15	261033
17	sealing ring outside PTFE, in pos 15	262153
18	holding ring Ms 58	262161
19	spring disc	276308
20	clamping nut M36x1,5	264849
21	nut M 4 1.4301 DIN 934	003905
22	screw M 4x16 1.4301 DIN 933	189499
23	melting thermostat	136840
24	safety thermostat, since mach. no. 272268	686832
25	spring lock washer A 4 DIN 127	001023
26	screw M 4x8 1.4301 DIN 7985	001015
27	thermostat	026611
27.1	headed switch for thermostat	325384
28	housing cpl. 400	501891
28	housing cpl. 600	501905
28	housing cpl. 400 Twin-Go	691097
28	housing cpl. 600 Twin-Go	692441
29	sealing track 400	619035
28	sealing track 600	619043
30	sealing section	374407
31	Screw M4x16 DIN7985, since mach.nr. 272268	037311
32	spacer sleeve D8 d4,5, since mach. nr. 272268	603627
	Portionskorb kpl. (für Einhängung vorne, Griff seitlich)	374512

swivel mechanism till 98-6

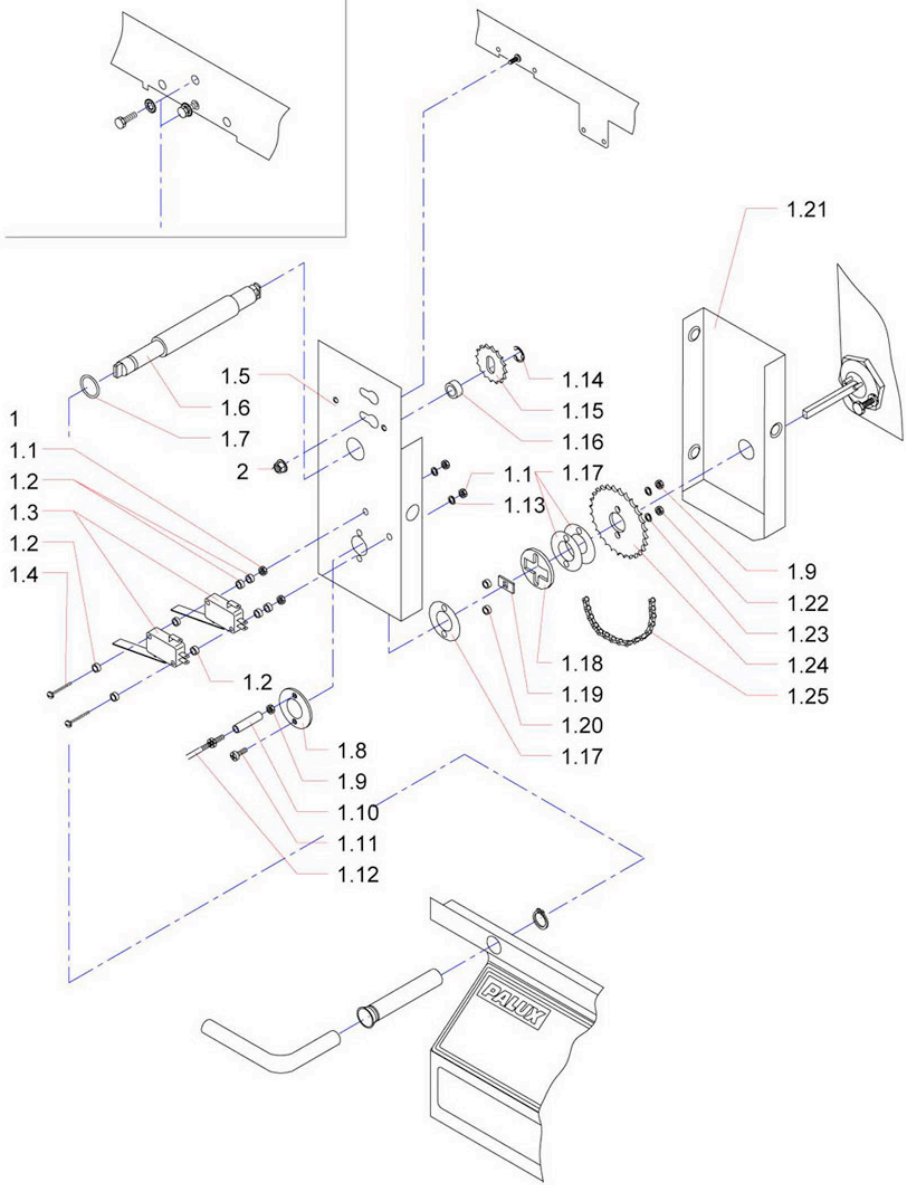


Pos.	Description	Article
1	serrated lock washer M 5A	012556
2	screw M 5X10	003743
3	swivel mechanism ass. (till machine number 241023)	
3.1	bracket	539074
3.2	shaft	539120
3.3	o-ring (since 7.95)	013471
3.4	washer	539287
3.5	lock washer	240168
3.6	switch plate	539333
3.7	retaining ring	539376
3.8	micro switch 25A/250V AC, till 6.98	
3.9	base f. switch	288950
3.10	washer 3.2	000965
3.11	spring lock washer A3	000418
3.12	screw M 3X40	055719
3.13	lid	539066
3.14	chain wheel 16 tooth	539295
3.15	lock washer	053554
3.16	lock washer	013242
3.17	finishing disc	539325
3.18	intermediate disc	539309
3.19	slide support	539317
3.21	chain59 links	539244
3.20	shaft	539147
4	bushing fp	539007
5	handle	538981
6	retaining ring	055522
7	micro switch (since machine number 241023, since 1998)	694223
7.1	insulation tubing	039926
7.2	nut M 3	000396
7.3	insulation bushing	682233
7.4	micro switch	680907
7.5	screw M 3X25	010480
7.6	spring lock washer A3	000418

swivel mechanism since 7.98

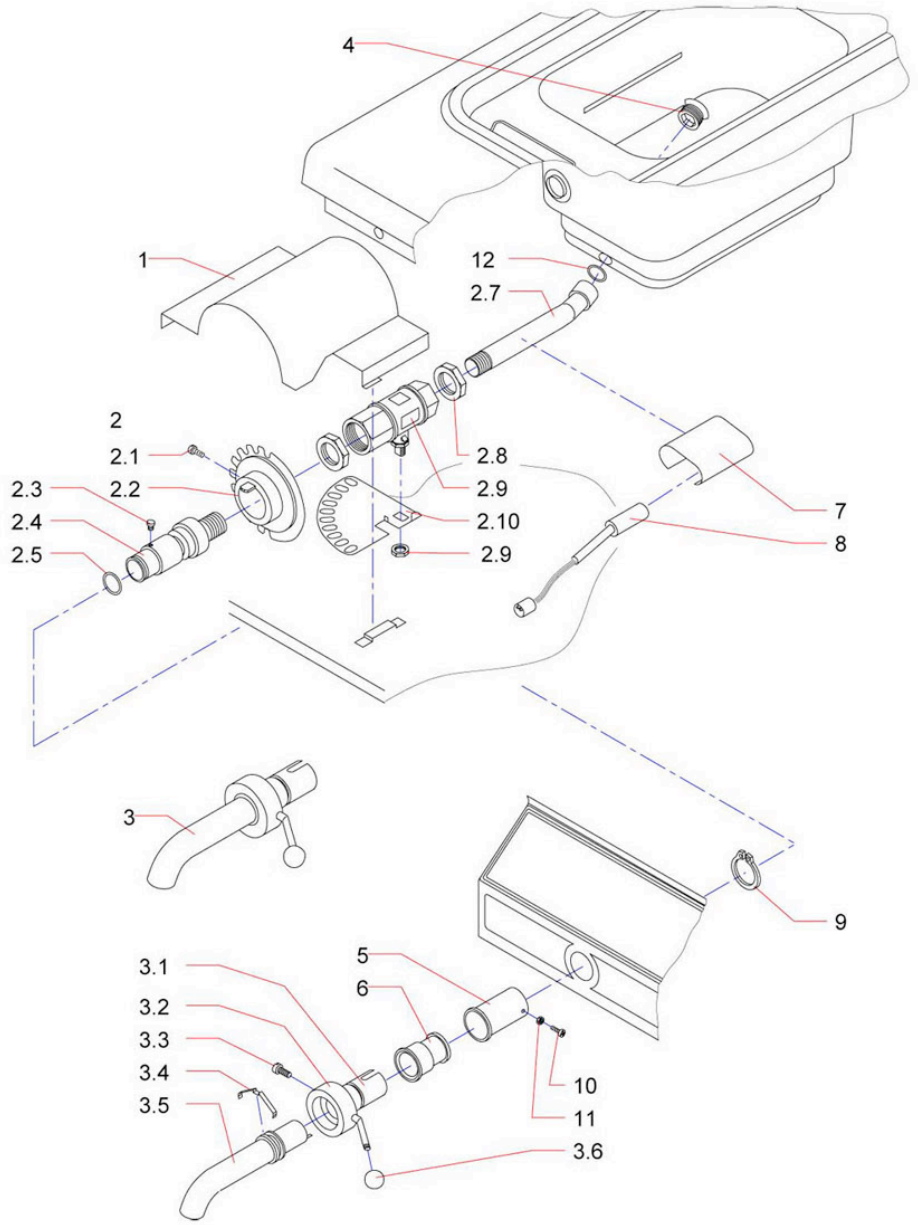
TOPLINE bis 8.99

TWIN-GO



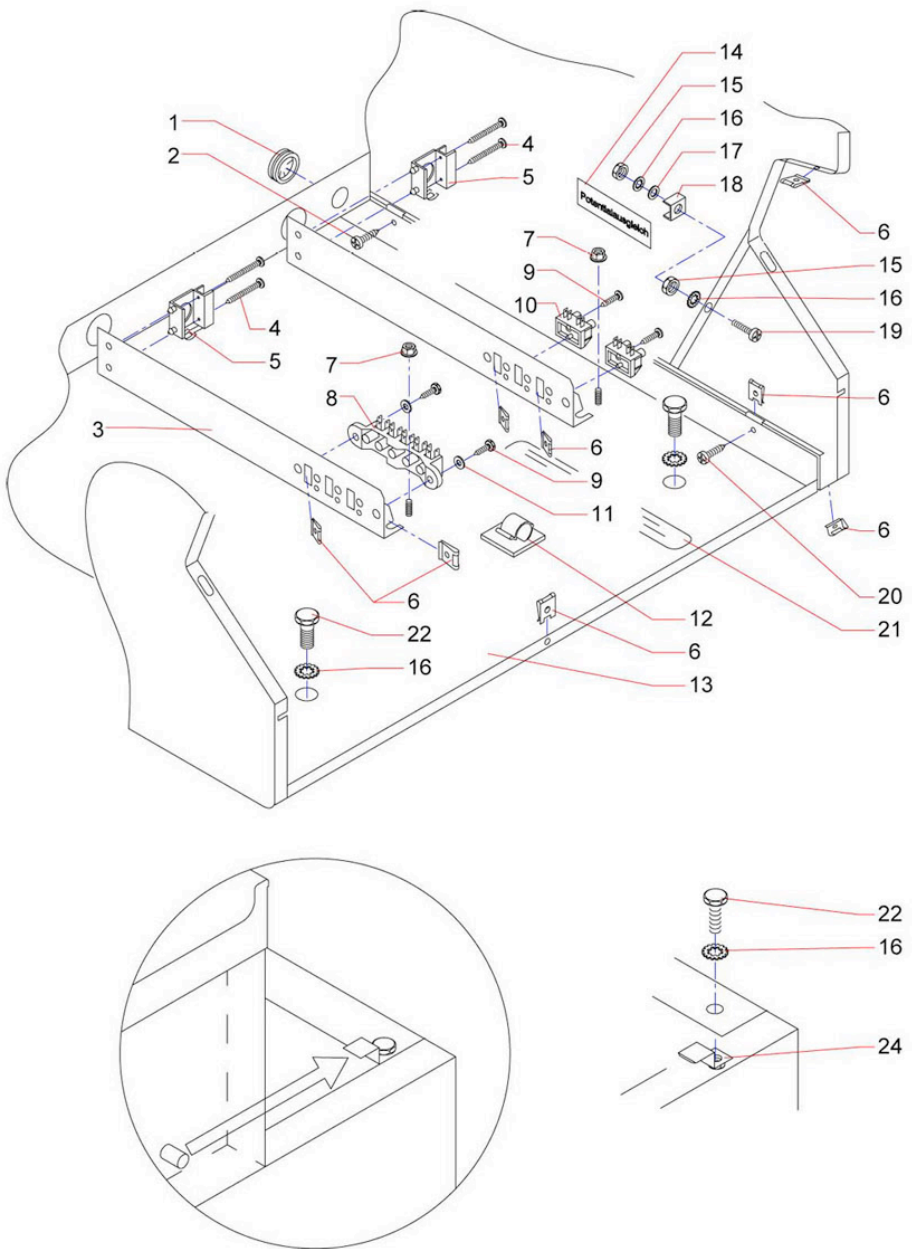
Pos.	Description	Article
1	swivel mechanism ass. (since machine number 241023)	682268
1.1	nut M 3	000396
1.2	insulation bushing	682233
1.3	micro switch (since machine number 241023)	680907
1.4	screw M 3X40	055719
1.5	bracket swiveling mechanism	681326
1.6	shaft swivel support	682160
1.7	o-ring	013471
1.8	washer f. swivel support	682187
1.9	nut M 4	006637
1.10	insulation bushing	682241
1.11	screw M 4X20	010545
1.12	screw M 4X55	258822
1.13	spring lock washer A3	000418
1.14	lock washer	053554
1.15	chain wheel 16 tooth	539295
1.16	intermediate ring	682179
1.17	sheet metal disc	682195
1.18	intermediate disc	682209
1.19	slide support	539317
1.20	bushing	682225
1.21	lid	682381
1.22	nut M 4	003905
1.23	spring lock washer A4	001023
1.24	chain wheel 28 tooth	682217
1.25	chain59 links	539244
2	kombi nut w. washer	541397

drain off with heating cartridge



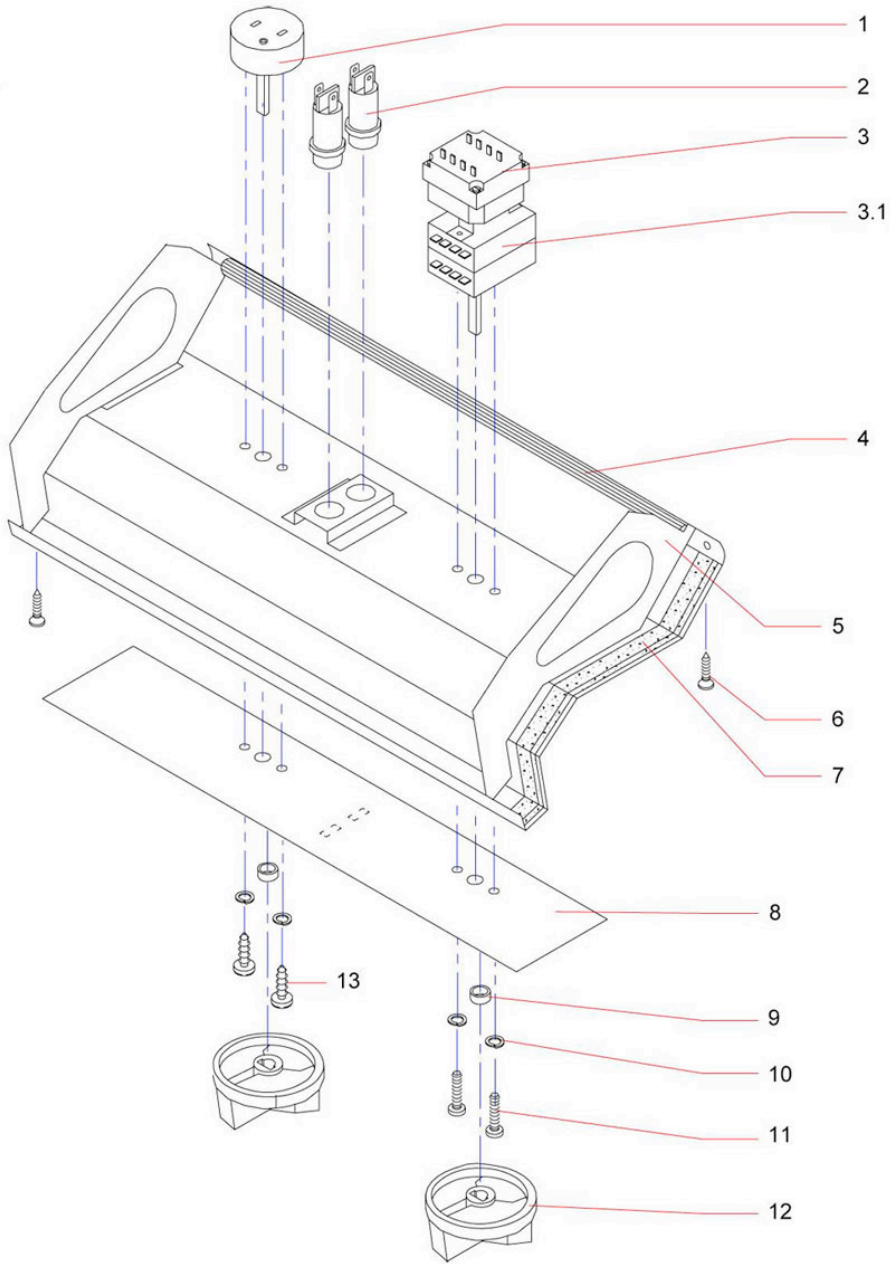
Pos.	Description	Article
1	protective cap (since 7.98)	686840
2	outlet pre ass.	502049
2.1	screw M3x4	533270
2.2	hub	533211
2.3	guide pin	533122
2.4	basic body	533998
2.5	o-ring	533300
2.7	connector	538388
2.8	nut R 1/2"	001260
2.9	gas ball valve	375470
2.10	toothed segment	533173
3	outlet piece	502081
3.1	ball button	533254
3.2	o-ring	533319
3.3	turning sleeve	502138
3.4	screw M 4X6	174084
3.5	brake spring	533203
3.6	outlet piece	502111
4	screw (since machine number 263967)	640999
5	support bushing	534013
6	sliding sleeve	534021
7	heating cartridge support	663484
8	heating cartridge PTC	610984
9	retaining ring	502340
10	screw M 3X8	010383
11	nut M 3	000396
12	o-ring	272825

connection unit



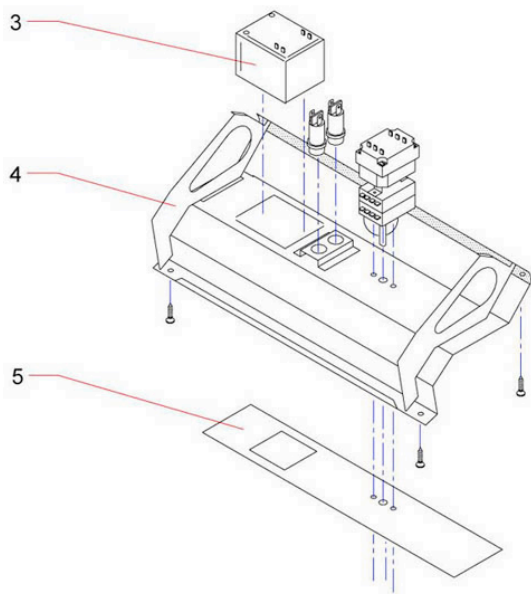
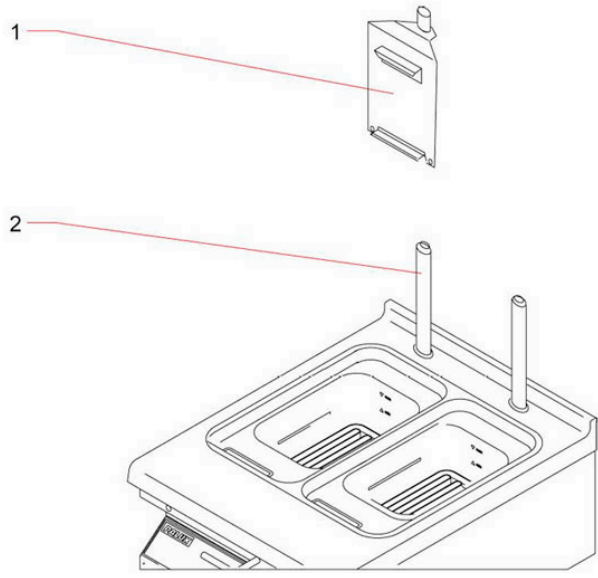
Pos.	Description	Article
1	diaphragm bushing	232963
2	screw M 4X8	001015
3	mounting sheet (changed 10.2004)	604674
4	sheet metal screw	248703
5	clamp	248002
6	snap action nut B3.9	227889
7	kombi nut w. washer	377740
8	mains connecting block, bolt mounting (till appr. 10.2004)	002186
8	mains connecting clamp 400V/40A 5-pole (since appr. 10.2004)	829927
9	sheet metal screw	068209
10	plug in strip	070858
11	washer 4,3	026999
12	cable clip	026301
13	bottom frontside cpl.	605905
13	bottom frontside cpl.	504866
13	bottom frontside cpl.	605905
13	bottom frontside cpl.	504866
13	bottom backside 400	502162
13	bottom backside	502316
13	bottom backside 400	651338
13	bottom backside 600	651389
13	bottom backside 400	686476
13	bottom backside 600	686492
14	adhesive label	217360
15	nut M 6	251887
16	serrated lock washer A6.4	006777
17	washer 6,4	004014
18	terminal bracket	223697
19	screw M 6X20	010731
20	sheet metal screw	031720
21	adhesive label	621382
22	screw M 6X16	251194
24	appliance holder	503479

operator panel, accessoires, cable



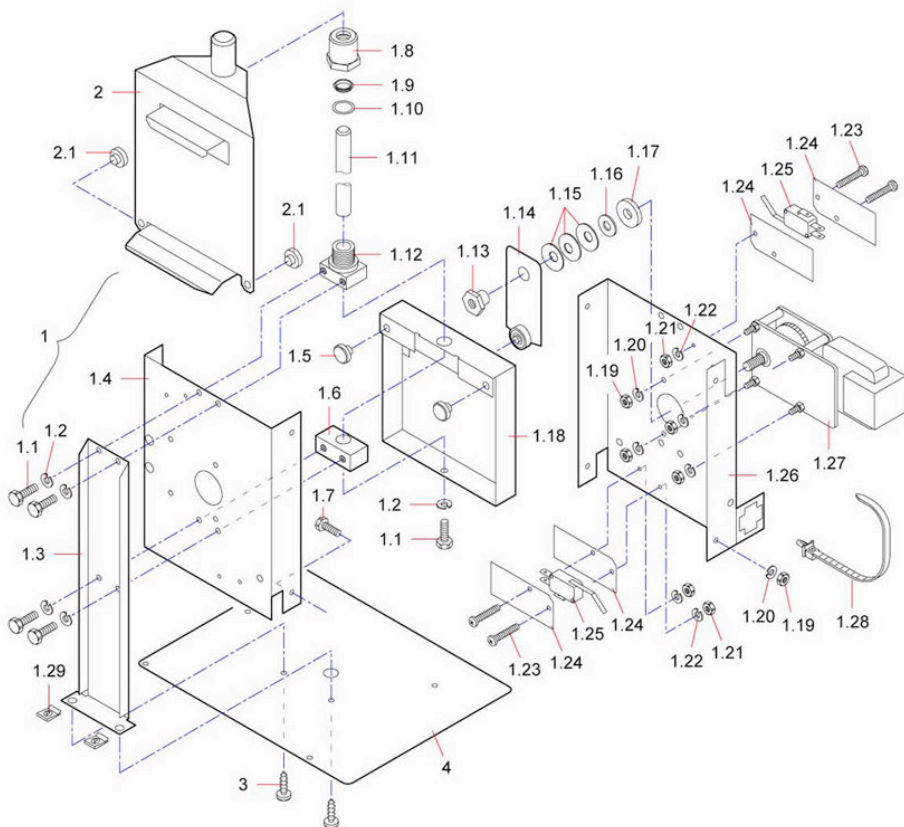
Pos.	Description	Article
1	short time clock	836117
2	pilot lamp	395056
3	capacitive regulator 130-180	026611
3.1	rotary selector switch	325384
4	seal profil	374407
5	front panel cpl. 400	502022
5	front panel cpl. 600	502286
5	front panel cpl. 400	658871
5	front panel cpl. 600	502065
7	silicone foam profile joint	604151
6	sheet metal screw	059803
8	control keypad	503061
8	control keypad	503142
8	control keypad	396079
8	control keypad	396087
9	hose section	632236
10	spring lock washer A4	001023
11	screw M 4X6	174084
12	toggle	393800
12.1	holder f. button	052965
13	sheet metal screw (since 2003)	836478

lifting device



Pos.	Description	Article
1	support f. basket	651109
2	lifting rod	
3	electronic clock	651192
4	front panel 400	654558
4	front panel 600	654574
5	control keypad	651117
5	control keypad	651346

Hebevorrichtung mont.



Pos.	Description	Article
1	lifting device ass.	651141
1.1	SCREW M 5x10	003743
1.2	SPRING LOCK WASHER A 5	003964
1.3	U-rail	651427
1.4	mounting plate	650641
1.5	spacer plug	651435
1.6	bearing bottom	650668
1.7	SCREW M 4x10	068217
1.8	coupling	650706
1.9	compact seal	651176
1.10	O-RING D 18.77x1.78	272817
1.11	lifting rod	650714
1.12	bearing top	650676
1.13	handle for coupling	651036
1.14	operating lever	651133
1.15	spring for plate	651028
1.16	DISC A13	012610
1.17	washer	650994
1.18	guide sheet	650633
1.19	NUT M 4	003905
1.20	SPRING LOCK WASHER A 4	001023
1.21	NUT M 3	000396
1.22	SPRING LOCK WASHER A 3 DIN 127	000418
1.23	SCREW M 3x20	010464
1.24	base	651370
1.25	micro switch	651206
1.26	mounting plate	651494
1.27	geared motor	651508
1.28	ARMATURE CLAMP, DETACHABLE	388017
1.29	SNAP-ACTION NUT B3,9	227889
2	support for basket cpl.	651109
2.1	spacer plug	651435
3	sheet metal screw 3,9x16	059803
4	lid bottom plate	650838

cable (without illustration)

Article	Artikel
189251	cable, 2,5mm2, gnge, 350lg / Twin-Go
311758	mains cable H07 RN-F 5x2,5
331384	cable cpl., 2,5mm2, sw / Twin-Go
539732	cable cpl., 190lg, 2,5mm2, sw
539740	cable cpl., 450lg, 2,5mm2, gnge / Twin-Go
539759	cable cpl., 800lg, 2,5mm2, gnge (2-B-Fritteuse) / Twin-Go
683523	cable harness cpl. / Twin-Go