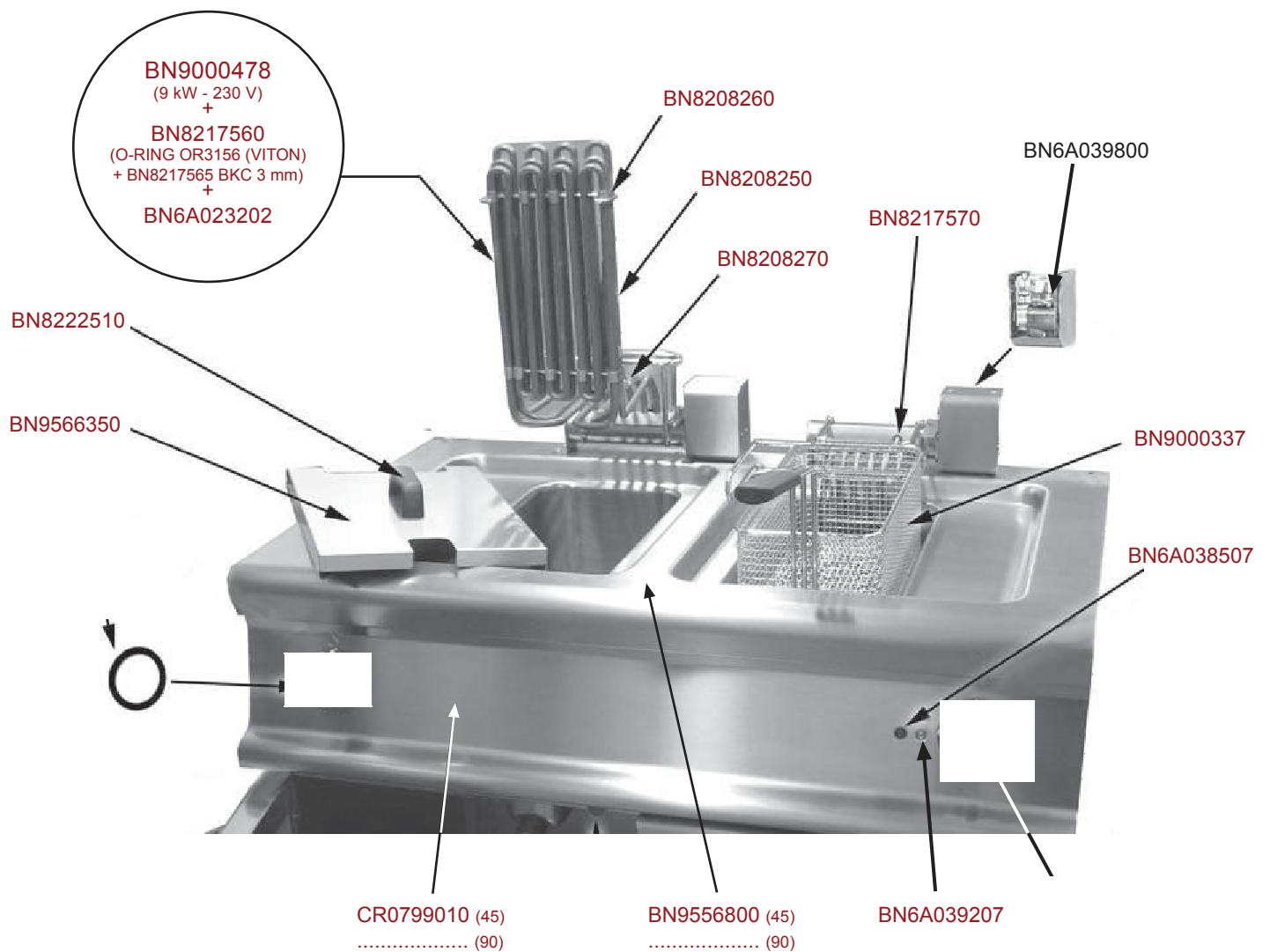
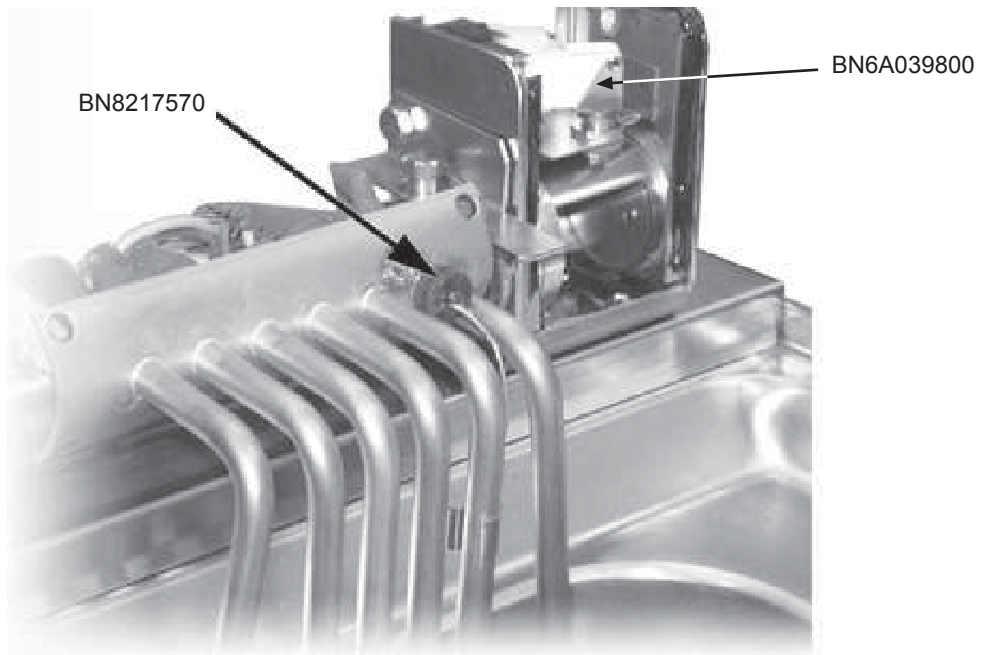
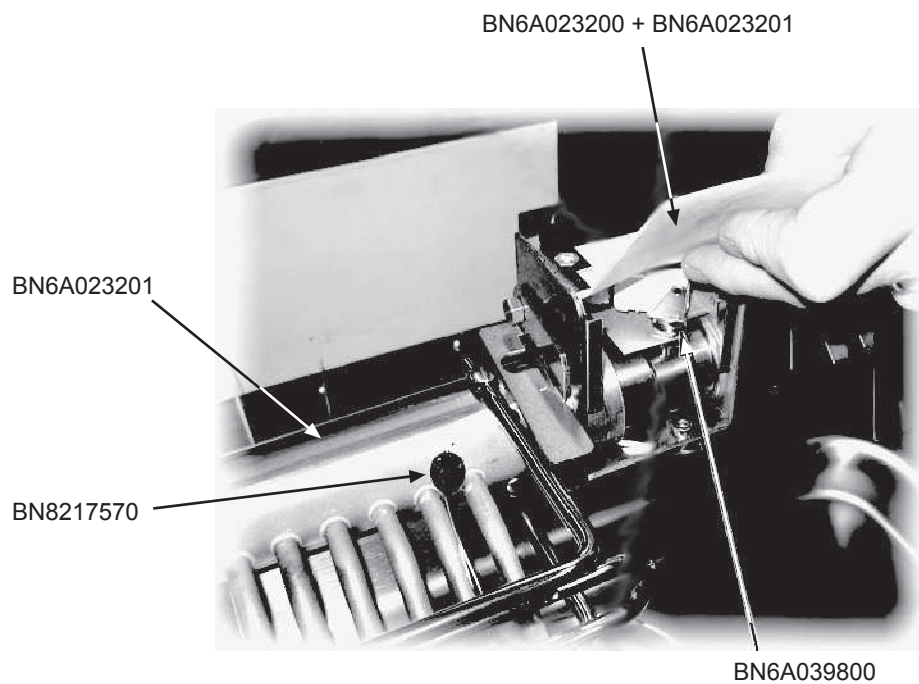


**SERIE 1100**  
**EFET2110**

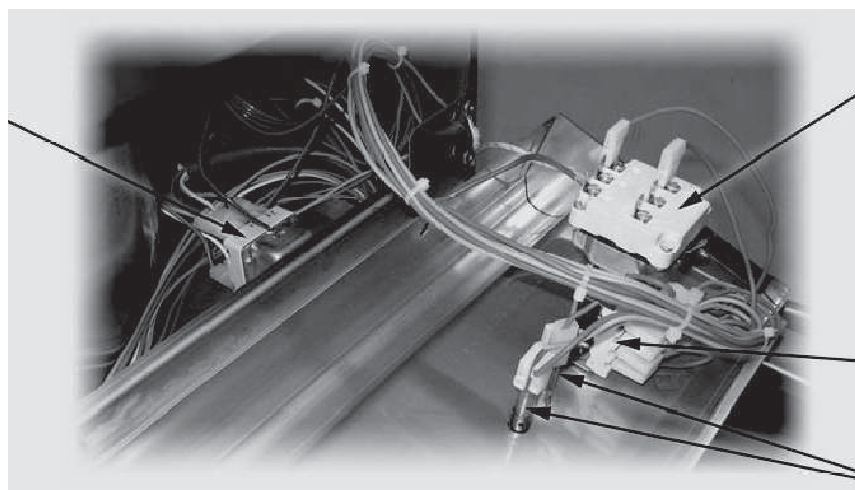
FRIGGITRICI ELETTRICHE - 10 LITRI  
ELECTRIC HEATED FRYERS - 10 LITERS  
FRITEUSES ELECTRIQUES - 10 LITRES  
ELEKTROBEHEIZTE FRITUSEN - 10 LITERS





FRIGGITRICI ELETTRICHE - 10 LITRI  
ELECTRIC HEATED FRYERS - 10 LITERS  
FRITEUSES ELECTRIQUES - 10 LITRES  
ELEKTROBEHEIZTE FRITEUSEN - 10 LITERS

BN8219602  
(EGO 5532545800)  
+  
BN8219600



BN8219601  
(EGO 5534039800)  
+  
MA1988500

MA1037313200  
(EGO 4921015600)  
250V 6A

BN6A038506

BN9000390



FRIGGITRICI ELETTRICHE - 10 LITRI  
ELECTRIC HEATED FRYERS - 10 LITERS  
FRITEUSES ELECTRIQUES - 10 LITRES  
ELEKTROBEHEIZTE FRITEUSEN - 10 LITERS

