

**BARBECUES ADELAÏDE : 2 - 3 - 4 WOODY -
WOODY L - CLASSIC - CLASSIC L &
CLASSIC L DELUXE**



ADELAÏDE 2 WOODY



ADELAÏDE 2 CLASSIC L



**ADELAÏDE 2
CLASSIC L DLXE**



ADELAÏDE 3 WOODY



ADELAÏDE 3 WOODY L



ADELAÏDE 3 CLASSIC L



ADELAÏDE 3 CLASSIC L DELUXE



ADELAÏDE 4 CLASSIC

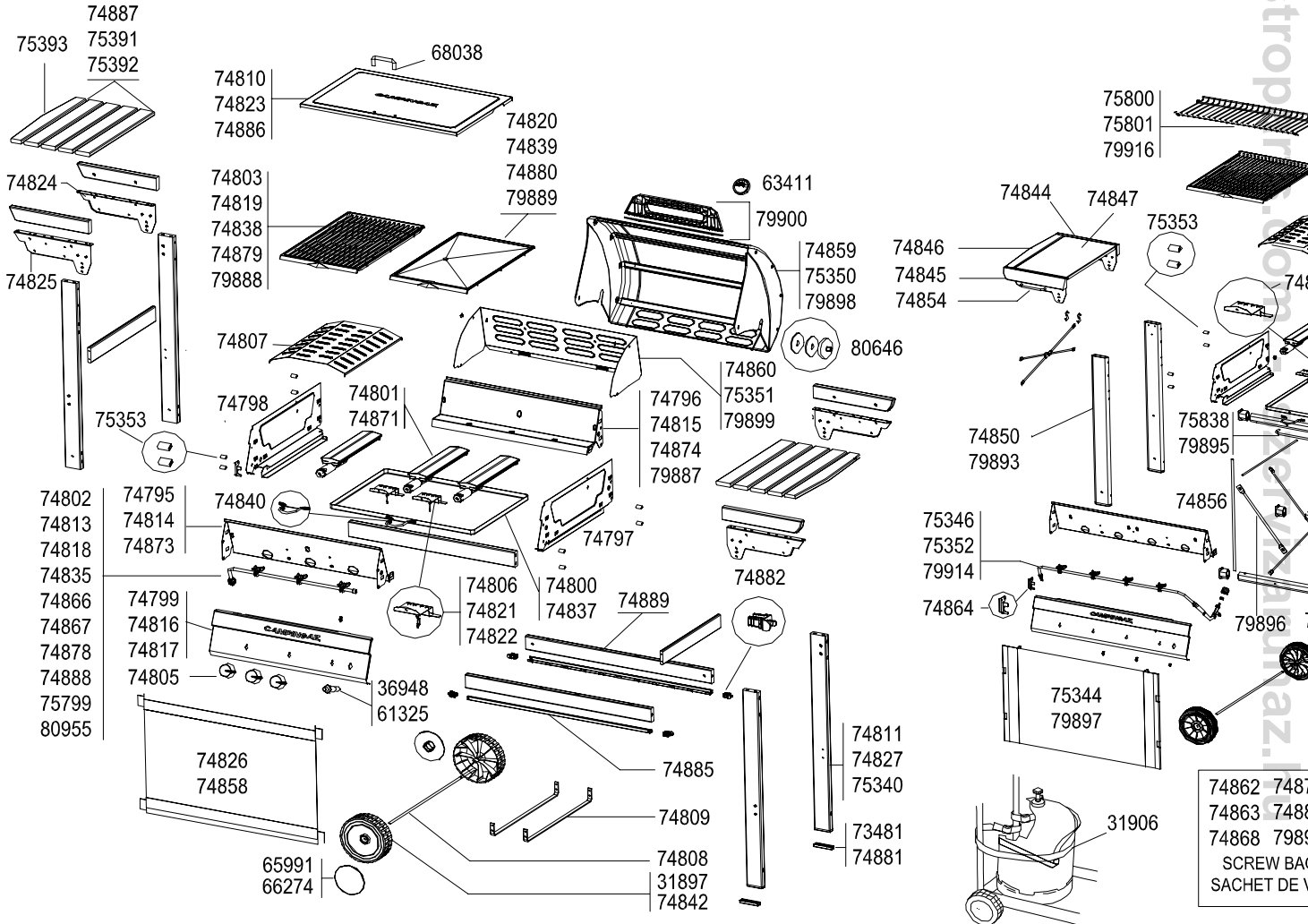


ADELAÏDE 4 WOODY



ADELAÏDE 4 CLASSIC L DELUXE

BARBECUES ADELAÏDE : 2 - 3 - 4 WOODY - WOODY L - CLASSIC - CLASSIC L & CLASSIC L DELUXE



BARBECUES ADELAÏDE : 2 - 3 - 4 WOODY - WOODY L - CLASSIC - CLASSIC L & CLASSIC L DELUXE

REF.	POINTS	GB - DESIGNATIONS	DESIGNATIONS - F -
31897	50	WHEEL DIAMETER 175 (X 1)	ROUE DIAMETRE 175 (X 1)
31906	30	CYLINDER STRAP	SANGLE BOUTEILLE
36948	60	SIMPLE IGNITER	PIEZO SIMPLE
40019	50	JET	INJECTEUR
61325	83	DOUBLE IGNITOR	PIEZO DOUBLE
63411	60	THERMOMETER	THERMOMETRE
65991	30	HUB CAP	ENJOLIVEUR DE ROUE
66274	30	BROWN HUB CAP	ENJOLIVEUR MARRON
66277	30	JET	INJECTEUR
68038	60	LID HANDLE	POIGNEE COUVERCLE
69263	30	HOOKS (X 3)	CROCHETS (X 3)
73481	30	PLASTIC FOOT FOR TROLLEY	PIED PLASTIQUE CHARIOT
74795	80	BASE - FRONT PART	CUVE - PARTIE FRONTALE
74796	80	BASE - REAR PART	CUVE - PARTIE ARRIERE
74797	100	BASE - RIGHT SIDE	CUVE - COTE DROIT
74798	100	BASE - LEFT SIDE	CUVE - COTE GAUCHE
74799	90	FRONT PANEL	CONSOLE
74800	80	GREASE DRAWER	PLATEAU RAMASSE GRAISSE
74801	100	28 MBAR CAST-IRON BURNER	BRULEUR FONTE 28 MBAR
74802	200	GAS PIPE 28 MB - EXPORT NOZZLE	TUBULURE 28 MB - ABOUT EXPORT
74803	180	CAST IRON GRID	GRILLE FONTE
74805	30	KNOBS (X2)	VOLANTS (X2)
74806	50	ELECTRODE + HOLDER (ROUND END)	ELECTRODE + CACHE ELECTRODE (COSSE RONDE)
74807	70	HEAT DIFFUSER	DIFFUSEUR DE CHALEUR
74808	40	WHEEL AXLE	AXE DE ROUE
74809	40	CYLINDER WIRE	FIL SUPPORT RESERVOIR

BARBECUES ADELAÏDE : 2 - 3 - 4 WOODY - WOODY L CLASSIC - CLASSIC L & CLASSIC L DELUXE

REF.	POINTS	GB - DESIGNATIONS	DESIGNATIONS - F -
74810	140	FLAT LID	COUVERCLE PLAT
74811	600	WOODEN TROLLEY	CHARIOT BOIS
74813	200	GAS PIPE 28 MBAR - 1/2" (Fr)	TUBULURE 28 MBAR - 1/2" (Fr)
74814	100	BASE - FRONT PART	CUVE - PARTIE FRONTALE
74815	100	BASE - REAR PART	CUVE - PARTIE ARRIERE
74816	80	FRONT PANEL	CONSOLE
74817	100	FRONT PANEL	CONSOLE
74818	230	GAS PIPE 28 MBAR - EXPORT NOZZLE	TUBULURE 28 MBAR - ABOUT EXPORT
74819	180	CAST IRON GRID	GRILLE FONTE
74820	160	CAST IRON GRIDDLE	PLAQUE FONTE
74821	100	ELECTRODE + HOLDER (SQUARE END)	ELECTRODE + SUPPORT (EMBOU CARRE)
74822	80	ELECTRODE + HOLDER (ROUND END)	ELECTRODE + SUPPORT (COSSE RONDE)
74823	160	FLAT LID	COUVERCLE PLAT
74824	60	RIGHT PLANK HOLDER	SUPPORT ETAGERE DROIT
74825	70	LEFT PLANK HOLDER	SUPPORT ETAGERE GAUCHE
74826	70	CYLINDER COVER	JUPE
74827	700	WOODEN TROLLEY	CHARIOT BOIS
74835	220	GAS PIPE 50 MBAR - 1/4" (D)	TUBULURE 50 MBAR - 1/4" (D)
74837	80	GREASE DRAWER WITHOUT HANDLE	TIROIR A GRAISSE SANS POIGNEE
74838	220	CAST IRON GRID	GRILLE FONTE
74839	210	CAST IRON GRIDDLE	PLAQUE FONTE
74840	30	GREASE DRAWER HANDLE	POIGNEE TIROIR A GRAISSE
74841	60	CROSS TUBE INSERT (x 6)	INSERT TUBE CHARIOT (x 6)
74842	80	WHEEL	ROUE
74843	70	RIGHT REAR SIDE FLANK	FLANC ETAGERE ARRIERE DROITE

BARBECUES ADELAÏDE : 2 - 3 - 4 WOODY - WOODY L - CLASSIC - CLASSIC L & CLASSIC L DELUXE

REF.	POINTS	GB - DESIGNATIONS	DESIGNATIONS - F -
74844	70	LEFT REAR SIDE SUPPORT	SUPPORT ETAGERE ARRIERE GAUCHE
74845	70	LEFT FRONT SIDE SUPPORT	SUPPORT ETAGERE AVANT GAUCHE
74846	70	CURVED SHELF PLANK	LATTE ETAGERE GALBEE
74847	90	SHELF	ETAGERE
74848	70	UPPER CROSS TUBE	TRAVERSE SUPERIEURE
74849	120	LOWER CROSS TUBE	TRAVERSE INFERIEURE
74850	80	LEFT TUBE	TUBE GAUCHE
74851	80	RIGHT TUBE	TUBE DROIT
74852	30	STOP CYLINDER WIRE	FIL ARRET BOUTEILLE
74853	40	SIDE STRENGTHENING BARS ASSEMBLED	BARRE RENFORT LATERALE ASSEMBLEE
74854	30	USTENSIL WIRE	FIL SUPPORT USTENSILES
74855	90	CYLINDER HOLDER	SUPPORT DE RESERVOIR
74856	30	CYLINDER COVER TUBE	TUBE JUPE
74857	40	FRONT STRENGTHENING BAR ASSEMBLED	RENFORT FRONTAL ASSEMBLE
74858	130	CYLINDER COVER	JUPE TEXTILE
74859	420	ARTICULATED LID	COUVERCLE ARTICULE
74860	170	WINDSHIELD	PREVENT
74862	150	SCREW BAGS (SMALL + LARGE PARTS)	SACHETS DE VIS (PETITES + GROSSES PIECES)
74863	140	SCREW BAGS (SMALL + LARGE PARTS)	SACHETS DE VIS (PETITES + GROSSES PIECES)
74864	30	GAS RAIL HOLDER	SUPPORT MAINTIEN TUBULURE
74865	80	RIGHT FRONT SIDE FLANK	FLANC ETAGERE AVANT DROITE
74866	250	GAS PIPE 50 MBAR - 1/4" (D)	TUBULURE 50 MBAR - 1/4" (D)
74867	250	GAS PIPE 28 MBAR - 1/2" (Fr)	TUBULURE 28 MBAR - 1/2" (Fr)
74868	140	SCREW BAGS (SMALL + LARGE PARTS)	SACHETS DE VIS (PETITES + GROSSES PIECES)
74870	120	SCREW BAGS (SMALL + LARGE PARTS)	SACHETS DE VIS (PETITES + GROSSES PIECES)

BARBECUES ADELAÏDE : 2 - 3 - 4 WOODY - WOODY L - CLASSIC - CLASSIC L & CLASSIC L DELUXE

REF.	POINTS	GB - DESIGNATIONS	DESIGNATIONS - F -
74871	100	BURNER 50 MBAR	BRULEUR 50 MBAR
74873	120	BASE - FRONT PART	CUVE - PARTIE FRONTALE
74874	120	BASE - REAR PART	CUVE - PARTIE ARRIERE
74876	70	GREASE DRAWER WITHOUT HANDLE	TIROIR A GRAISSE SANS POIGNEE
74877	60	CENTRAL GUIDE	GLISSIERE CENTRALE
74878	300	GAS PIPE 28 MBAR - 1/2" (Fr)	TUBULURE 28 MBAR - 1/2" (Fr)
74879	280	CAST IRON GRID	GRILLE DE CUISSON FONTE
74880	270	CAST IRON GRIDDLE	PLAQUE DE CUISSON FONTE
74881	30	PLASTIC FOOT	PIED PLASTIQUE
74882	60	PLANK PLASTIC INSERT (x4)	INSERT SUPPORT LATTE (x4)
74883	40	ELECTRODE HOUSING	SUPPORT ELECTRODE
74884	140	SCREW BAGS (SMALL + LARGE PARTS)	SACHETS DE VIS (PETITES + GROSSES PIECES)
74885	60	PLANK HOLDER	TRAVERSE SUPPORT LATTE
74886	170	FLAT LID	COUVERCLE PLAT
74887	190	SHELF PLANKS (x4)	LATTES ETAGERE (x4)
74888	320	STOVE GAS PIPE 28MB-EXPORT NOZZLE	TUBULURE RECHAUD LAT. 28 MB-EXPORT
74889	300	CROSSING PLANK (2 LOWER + 1 UPPER)	TRAVERSES BOIS (2 INFERIEURE + 1 SUPERIEURE)
75340	700	WOODEN TROLLEY	CHARIOT BOIS
75342	80	UPPER CROSS TUBE	TRAVERSE SUPERIEURE
75343	80	LOWER CROSS TUBE	TRAVERSE INFERIEURE
75344	160	TEXTILE CYLINDER COVER	JUPE TEXTILE
75346	350	STOVE GAS PIPE 28 MB - EXPORT NOZZLE	TUBULURE RECHAUD LAT. 28 MB - EXPORT
75350	480	ARTICULATED LID	COUVERCLE ARTICULE
75351	170	WINDSHIELD	PAREVENT
75352	350	STOVE GAS PIPE. 28 MB -1/2" (Fr)	TUBULURE RECHAUD LAT. 28 MB -1/2" (Fr)
75353	50	SPACERS (x8)	ENTRETOISES (x8)

BARBECUES ADELAÏDE : 2 - 3 - 4 WOODY - WOODY L - CLASSIC - CLASSIC L & CLASSIC L DELUXE

REF.	POINTS	GB - DESIGNATIONS	DESIGNATIONS - F -
75391	350	SHELF PLANKS X 4	LATTES ETAGERE X 4
75392	400	SHELF PLANKS X 4	LATTES ETAGERE X 4
75393	100	CURVED PLANK X 2	LATTE GALBEE X 2
75799	300	GAS PIPE 28 MB - EXPORT NOZZLE	TUBULURE 28 MB- ABOUT EXPORT
75800	140	WARMING GRID	GRILLE DE MIJOTAGE
75801	140	WARMING GRID	GRILLE DE MIJOTAGE
75838	50	USTENSILS WIRE (LONG)	FIL PORTE-USTENSILES (GRAND MODELE)
79880	30	PLASTIC FOOT	PIED PLASTIQUE
79887	90	BASE - REAR PART	CUVE - PARTIE ARRIERE
79888	200	1/2 CAST IRON GRID	1/2 GRILLE DE CUISSON FONTE
79889	200	1/2 CAST IRON GRIDDLE	1/2 PLAQUE DE CUISSON FONTE
79891	140	SCREW BAGS (SMALL & LARGE PARTS)	SACHETS DE VIS (PETITES ET GROSSES PIECES)
79893	100	LEFT TUBE + PLASTIC FOOT	TUBE GAUCHE + PATIN PLASTIQUE
79894	100	RIGHT TUBE + PLASTIC FOOT	TUBE DROIT + PATIN PLASTIQUE
79895	50	USTENSIL SUPPORT WIRE	PORTE USTENSILES
79896	60	SIDE STRENGTHENING BARS (X 2)	FIL RENFORT CHARIOT (X 2)
79897	130	CYLINDER COVER	JUPE TEXTILE
79898	450	ARTICULATED LID	COUVERCLE ARTICULE
79899	180	WINDSHIELD	PAREVENT
79900	120	HANDLE + THERMIC SHIELD	POIGNEE + ECRAN THERMIQUE
79911	30	PLASTIC FOOT (x2)	PATIN PLASTIQUE (x2)
79914	350	STOVE GAS PIPE 28MB - NOZZLE EXPORT	TUBULURE RECHAUD LAT. 28 MB - ABOUT EXPORT

BARBECUES ADELAÏDE : 2 - 3 - 4 WOODY - WOODY L CLASSIC - CLASSIC L & CLASSIC L DELUXE

REF.	POINTS	GB - DESIGNATIONS	DESIGNATIONS - F -
79916	140	WARMING RACK	GRILLE DE MIJOTAGE
80646	120	AXLE + LATERAL STOP + WASHERS	AXE + JOINTS + BUTEES + RONDELLES
80955	320	GAS PIPE 28 MB 1/4" (Ch)	TUBULURE 28 MB 1/4" (Ch)
81062	90	CROSS TUBE	TUBE DE JONCTION
74812	120	PACKAGING	EMBALLAGE
74828	100	PACKAGING	EMBALLAGE
74836	110	PACKAGING 3 CLASSIC L	EMBALLAGE 3 CLASSIC L
74869	110	PACKAGING	EMBALLAGE
74872	110	PACKAGING	EMBALLAGE
75341	110	PACKAGING	EMBALLAGE
75345	120	PACKAGING	EMBALLAGE
79886	120	PACKAGING	EMBALLAGE
79913	120	PACKAGING	EMBALLAGE
	O	FOR SIDE STOVE SEE SIDE STOVE SCHEME OF ADELAÏDE POUR RECHAUD LATERAL VOIR ECLATE RECHAUD ADELAÏDE	