

**BARBECUES ADELAÏDE : 2 - 3 - 4 WOODY -
WOODY L - CLASSIC - CLASSIC L &
CLASSIC L DELUXE**



ADELAÏDE 2 WOODY



ADELAÏDE 2 CLASSIC L



**ADELAÏDE 2
CLASSIC L DLXE**



ADELAÏDE 3 WOODY



ADELAÏDE 3 WOODY L



ADELAÏDE 3 CLASSIC L



ADELAÏDE 3 CLASSIC L DELUXE



ADELAÏDE 4 CLASSIC

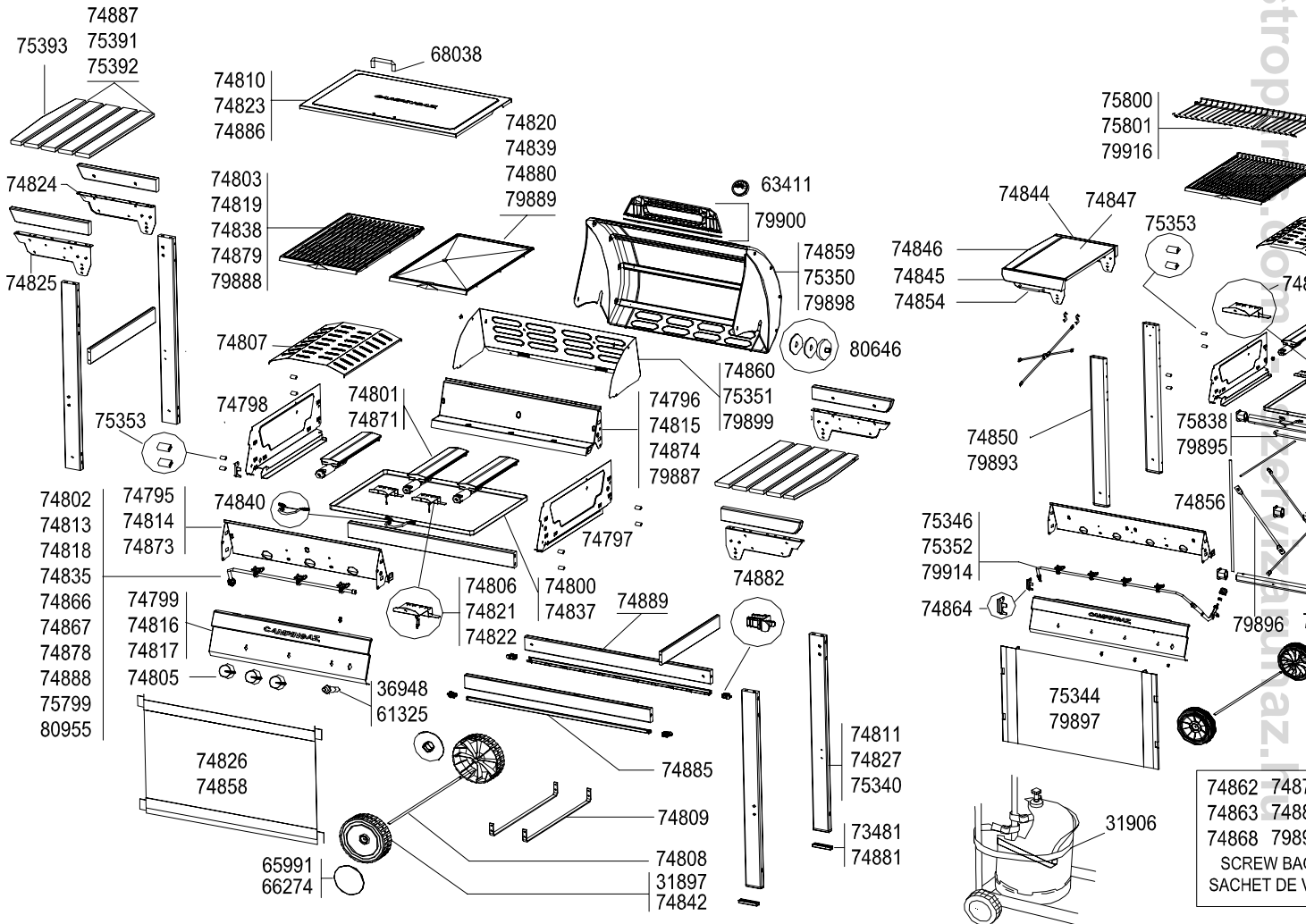


ADELAÏDE 4 WOODY



ADELAÏDE 4 CLASSIC L DELUXE

BARBECUES ADELAÏDE : 2 - 3 - 4 WOODY - WOODY L - CLASSIC - CLASSIC L & CLASSIC L DELUXE



BARBECUES ADELAÏDE : 2 - 3 - 4 WOODY - WOODY L - CLASSIC - CLASSIC L & CLASSIC L DELUXE

| REF. | POINTS | GB - DESIGNATIONS | DESIGNATIONS - F - |
|-------|--------|--------------------------------|---|
| 31897 | 50 | WHEEL DIAMETER 175 (X 1) | ROUE DIAMETRE 175 (X 1) |
| 31906 | 30 | CYLINDER STRAP | SANGLE BOUTEILLE |
| 36948 | 60 | SIMPLE IGNITER | PIEZO SIMPLE |
| 40019 | 50 | JET | INJECTEUR |
| 61325 | 83 | DOUBLE IGNITOR | PIEZO DOUBLE |
| 63411 | 60 | THERMOMETER | THERMOMETRE |
| 65991 | 30 | HUB CAP | ENJOLIVEUR DE ROUE |
| 66274 | 30 | BROWN HUB CAP | ENJOLIVEUR MARRON |
| 66277 | 30 | JET | INJECTEUR |
| 68038 | 60 | LID HANDLE | POIGNEE COUVERCLE |
| 69263 | 30 | HOOKS (X 3) | CROCHETS (X 3) |
| 73481 | 30 | PLASTIC FOOT FOR TROLLEY | PIED PLASTIQUE CHARIOT |
| 74795 | 80 | BASE - FRONT PART | CUVE - PARTIE FRONTALE |
| 74796 | 80 | BASE - REAR PART | CUVE - PARTIE ARRIERE |
| 74797 | 100 | BASE - RIGHT SIDE | CUVE - COTE DROIT |
| 74798 | 100 | BASE - LEFT SIDE | CUVE - COTE GAUCHE |
| 74799 | 90 | FRONT PANEL | CONSOLE |
| 74800 | 80 | GREASE DRAWER | PLATEAU RAMASSE GRAISSE |
| 74801 | 100 | 28 MBAR CAST-IRON BURNER | BRULEUR FONTE 28 MBAR |
| 74802 | 200 | GAS PIPE 28 MB - EXPORT NOZZLE | TUBULURE 28 MB - ABOUT EXPORT |
| 74803 | 180 | CAST IRON GRID | GRILLE FONTE |
| 74805 | 30 | KNOBS (X2) | VOLANTS (X2) |
| 74806 | 50 | ELECTRODE + HOLDER (ROUND END) | ELECTRODE + CACHE ELECTRODE (COSSE RONDE) |
| 74807 | 70 | HEAT DIFFUSER | DIFFUSEUR DE CHALEUR |
| 74808 | 40 | WHEEL AXLE | AXE DE ROUE |
| 74809 | 40 | CYLINDER WIRE | FIL SUPPORT RESERVOIR |

BARBECUES ADELAÏDE : 2 - 3 - 4 WOODY - WOODY L CLASSIC - CLASSIC L & CLASSIC L DELUXE

| REF. | POINTS | GB - DESIGNATIONS | DESIGNATIONS - F - |
|-------|--------|----------------------------------|-----------------------------------|
| 74810 | 140 | FLAT LID | COUVERCLE PLAT |
| 74811 | 600 | WOODEN TROLLEY | CHARIOT BOIS |
| 74813 | 200 | GAS PIPE 28 MBAR - 1/2" (Fr) | TUBULURE 28 MBAR - 1/2" (Fr) |
| 74814 | 100 | BASE - FRONT PART | CUVE - PARTIE FRONTALE |
| 74815 | 100 | BASE - REAR PART | CUVE - PARTIE ARRIERE |
| 74816 | 80 | FRONT PANEL | CONSOLE |
| 74817 | 100 | FRONT PANEL | CONSOLE |
| 74818 | 230 | GAS PIPE 28 MBAR - EXPORT NOZZLE | TUBULURE 28 MBAR - ABOUT EXPORT |
| 74819 | 180 | CAST IRON GRID | GRILLE FONTE |
| 74820 | 160 | CAST IRON GRIDDLE | PLAQUE FONTE |
| 74821 | 100 | ELECTRODE + HOLDER (SQUARE END) | ELECTRODE + SUPPORT (EMBOU CARRE) |
| 74822 | 80 | ELECTRODE + HOLDER (ROUND END) | ELECTRODE + SUPPORT (COSSE RONDE) |
| 74823 | 160 | FLAT LID | COUVERCLE PLAT |
| 74824 | 60 | RIGHT PLANK HOLDER | SUPPORT ETAGERE DROIT |
| 74825 | 70 | LEFT PLANK HOLDER | SUPPORT ETAGERE GAUCHE |
| 74826 | 70 | CYLINDER COVER | JUPE |
| 74827 | 700 | WOODEN TROLLEY | CHARIOT BOIS |
| 74835 | 220 | GAS PIPE 50 MBAR - 1/4" (D) | TUBULURE 50 MBAR - 1/4" (D) |
| 74837 | 80 | GREASE DRAWER WITHOUT HANDLE | TIROIR A GRAISSE SANS POIGNEE |
| 74838 | 220 | CAST IRON GRID | GRILLE FONTE |
| 74839 | 210 | CAST IRON GRIDDLE | PLAQUE FONTE |
| 74840 | 30 | GREASE DRAWER HANDLE | POIGNEE TIROIR A GRAISSE |
| 74841 | 60 | CROSS TUBE INSERT (x 6) | INSERT TUBE CHARIOT (x 6) |
| 74842 | 80 | WHEEL | ROUE |
| 74843 | 70 | RIGHT REAR SIDE FLANK | FLANC ETAGERE ARRIERE DROITE |

BARBECUES ADELAÏDE : 2 - 3 - 4 WOODY - WOODY L - CLASSIC - CLASSIC L & CLASSIC L DELUXE

| REF. | POINTS | GB - DESIGNATIONS | DESIGNATIONS - F - |
|-------|--------|-----------------------------------|---|
| 74844 | 70 | LEFT REAR SIDE SUPPORT | SUPPORT ETAGERE ARRIERE GAUCHE |
| 74845 | 70 | LEFT FRONT SIDE SUPPORT | SUPPORT ETAGERE AVANT GAUCHE |
| 74846 | 70 | CURVED SHELF PLANK | LATTE ETAGERE GALBEE |
| 74847 | 90 | SHELF | ETAGERE |
| 74848 | 70 | UPPER CROSS TUBE | TRAVERSE SUPERIEURE |
| 74849 | 120 | LOWER CROSS TUBE | TRAVERSE INFERIEURE |
| 74850 | 80 | LEFT TUBE | TUBE GAUCHE |
| 74851 | 80 | RIGHT TUBE | TUBE DROIT |
| 74852 | 30 | STOP CYLINDER WIRE | FIL ARRET BOUTEILLE |
| 74853 | 40 | SIDE STRENGTHENING BARS ASSEMBLED | BARRE RENFORT LATERALE ASSEMBLEE |
| 74854 | 30 | USTENSIL WIRE | FIL SUPPORT USTENSILES |
| 74855 | 90 | CYLINDER HOLDER | SUPPORT DE RESERVOIR |
| 74856 | 30 | CYLINDER COVER TUBE | TUBE JUPE |
| 74857 | 40 | FRONT STRENGTHENING BAR ASSEMBLED | RENFORT FRONTAL ASSEMBLE |
| 74858 | 130 | CYLINDER COVER | JUPE TEXTILE |
| 74859 | 420 | ARTICULATED LID | COUVERCLE ARTICULE |
| 74860 | 170 | WINDSHIELD | PREVENT |
| 74862 | 150 | SCREW BAGS (SMALL + LARGE PARTS) | SACHETS DE VIS (PETITES + GROSSES PIECES) |
| 74863 | 140 | SCREW BAGS (SMALL + LARGE PARTS) | SACHETS DE VIS (PETITES + GROSSES PIECES) |
| 74864 | 30 | GAS RAIL HOLDER | SUPPORT MAINTIEN TUBULURE |
| 74865 | 80 | RIGHT FRONT SIDE FLANK | FLANC ETAGERE AVANT DROITE |
| 74866 | 250 | GAS PIPE 50 MBAR - 1/4" (D) | TUBULURE 50 MBAR - 1/4" (D) |
| 74867 | 250 | GAS PIPE 28 MBAR - 1/2" (Fr) | TUBULURE 28 MBAR - 1/2" (Fr) |
| 74868 | 140 | SCREW BAGS (SMALL + LARGE PARTS) | SACHETS DE VIS (PETITES + GROSSES PIECES) |
| 74870 | 120 | SCREW BAGS (SMALL + LARGE PARTS) | SACHETS DE VIS (PETITES + GROSSES PIECES) |

BARBECUES ADELAÏDE : 2 - 3 - 4 WOODY - WOODY L - CLASSIC - CLASSIC L & CLASSIC L DELUXE

| REF. | POINTS | GB - DESIGNATIONS | DESIGNATIONS - F - |
|-------|--------|--------------------------------------|--|
| 74871 | 100 | BURNER 50 MBAR | BRULEUR 50 MBAR |
| 74873 | 120 | BASE - FRONT PART | CUVE - PARTIE FRONTALE |
| 74874 | 120 | BASE - REAR PART | CUVE - PARTIE ARRIERE |
| 74876 | 70 | GREASE DRAWER WITHOUT HANDLE | TIROIR A GRAISSE SANS POIGNEE |
| 74877 | 60 | CENTRAL GUIDE | GLISSIERE CENTRALE |
| 74878 | 300 | GAS PIPE 28 MBAR - 1/2" (Fr) | TUBULURE 28 MBAR - 1/2" (Fr) |
| 74879 | 280 | CAST IRON GRID | GRILLE DE CUISSON FONTE |
| 74880 | 270 | CAST IRON GRIDDLE | PLAQUE DE CUISSON FONTE |
| 74881 | 30 | PLASTIC FOOT | PIED PLASTIQUE |
| 74882 | 60 | PLANK PLASTIC INSERT (x4) | INSERT SUPPORT LATTE (x4) |
| 74883 | 40 | ELECTRODE HOUSING | SUPPORT ELECTRODE |
| 74884 | 140 | SCREW BAGS (SMALL + LARGE PARTS) | SACHETS DE VIS (PETITES + GROSSES PIECES) |
| 74885 | 60 | PLANK HOLDER | TRAVERSE SUPPORT LATTE |
| 74886 | 170 | FLAT LID | COUVERCLE PLAT |
| 74887 | 190 | SHELF PLANKS (x4) | LATTES ETAGERE (x4) |
| 74888 | 320 | STOVE GAS PIPE 28MB-EXPORT NOZZLE | TUBULURE RECHAUD LAT. 28 MB-EXPORT |
| 74889 | 300 | CROSSING PLANK (2 LOWER + 1 UPPER) | TRAVERSES BOIS (2 INFERIEURE + 1 SUPERIEURE) |
| 75340 | 700 | WOODEN TROLLEY | CHARIOT BOIS |
| 75342 | 80 | UPPER CROSS TUBE | TRAVERSE SUPERIEURE |
| 75343 | 80 | LOWER CROSS TUBE | TRAVERSE INFERIEURE |
| 75344 | 160 | TEXTILE CYLINDER COVER | JUPE TEXTILE |
| 75346 | 350 | STOVE GAS PIPE 28 MB - EXPORT NOZZLE | TUBULURE RECHAUD LAT. 28 MB - EXPORT |
| 75350 | 480 | ARTICULATED LID | COUVERCLE ARTICULE |
| 75351 | 170 | WINDSHIELD | PAREVENT |
| 75352 | 350 | STOVE GAS PIPE. 28 MB -1/2" (Fr) | TUBULURE RECHAUD LAT. 28 MB -1/2" (Fr) |
| 75353 | 50 | SPACERS (x8) | ENTRETOISES (x8) |

BARBECUES ADELAÏDE : 2 - 3 - 4 WOODY - WOODY L - CLASSIC - CLASSIC L & CLASSIC L DELUXE

| REF. | POINTS | GB - DESIGNATIONS | DESIGNATIONS - F - |
|-------|--------|-------------------------------------|--|
| 75391 | 350 | SHELF PLANKS X 4 | LATTES ETAGERE X 4 |
| 75392 | 400 | SHELF PLANKS X 4 | LATTES ETAGERE X 4 |
| 75393 | 100 | CURVED PLANK X 2 | LATTE GALBEE X 2 |
| 75799 | 300 | GAS PIPE 28 MB - EXPORT NOZZLE | TUBULURE 28 MB- ABOUT EXPORT |
| 75800 | 140 | WARMING GRID | GRILLE DE MIJOTAGE |
| 75801 | 140 | WARMING GRID | GRILLE DE MIJOTAGE |
| 75838 | 50 | USTENSILS WIRE (LONG) | FIL PORTE-USTENSILES (GRAND MODELE) |
| 79880 | 30 | PLASTIC FOOT | PIED PLASTIQUE |
| 79887 | 90 | BASE - REAR PART | CUVE - PARTIE ARRIERE |
| 79888 | 200 | 1/2 CAST IRON GRID | 1/2 GRILLE DE CUISSON FONTE |
| 79889 | 200 | 1/2 CAST IRON GRIDDLE | 1/2 PLAQUE DE CUISSON FONTE |
| 79891 | 140 | SCREW BAGS (SMALL & LARGE PARTS) | SACHETS DE VIS (PETITES ET GROSSES PIECES) |
| 79893 | 100 | LEFT TUBE + PLASTIC FOOT | TUBE GAUCHE + PATIN PLASTIQUE |
| 79894 | 100 | RIGHT TUBE + PLASTIC FOOT | TUBE DROIT + PATIN PLASTIQUE |
| 79895 | 50 | USTENSIL SUPPORT WIRE | PORTE USTENSILES |
| 79896 | 60 | SIDE STRENGTHENING BARS (X 2) | FIL RENFORT CHARIOT (X 2) |
| 79897 | 130 | CYLINDER COVER | JUPE TEXTILE |
| 79898 | 450 | ARTICULATED LID | COUVERCLE ARTICULE |
| 79899 | 180 | WINDSHIELD | PAREVENT |
| 79900 | 120 | HANDLE + THERMIC SHIELD | POIGNEE + ECRAN THERMIQUE |
| 79911 | 30 | PLASTIC FOOT (x2) | PATIN PLASTIQUE (x2) |
| 79914 | 350 | STOVE GAS PIPE 28MB - NOZZLE EXPORT | TUBULURE RECHAUD LAT. 28 MB - ABOUT EXPORT |

BARBECUES ADELAÏDE : 2 - 3 - 4 WOODY - WOODY L CLASSIC - CLASSIC L & CLASSIC L DELUXE

| REF. | POINTS | GB - DESIGNATIONS | DESIGNATIONS - F - |
|-------|--------|---|-----------------------------------|
| 79916 | 140 | WARMING RACK | GRILLE DE MIJOTAGE |
| 80646 | 120 | AXLE + LATERAL STOP + WASHERS | AXE + JOINTS + BUTEES + RONDELLES |
| 80955 | 320 | GAS PIPE 28 MB 1/4" (Ch) | TUBULURE 28 MB 1/4" (Ch) |
| 81062 | 90 | CROSS TUBE | TUBE DE JONCTION |
| 74812 | 120 | PACKAGING | EMBALLAGE |
| 74828 | 100 | PACKAGING | EMBALLAGE |
| 74836 | 110 | PACKAGING 3 CLASSIC L | EMBALLAGE 3 CLASSIC L |
| 74869 | 110 | PACKAGING | EMBALLAGE |
| 74872 | 110 | PACKAGING | EMBALLAGE |
| 75341 | 110 | PACKAGING | EMBALLAGE |
| 75345 | 120 | PACKAGING | EMBALLAGE |
| 79886 | 120 | PACKAGING | EMBALLAGE |
| 79913 | 120 | PACKAGING | EMBALLAGE |
| | O | FOR SIDE STOVE SEE SIDE STOVE SCHEME OF ADELAÏDE POUR RECHAUD LATERAL VOIR ECLATE RECHAUD ADELAÏDE | |