

**BARBECUES : ADELAÏDE : 3 - 4
PREMIUM - PREMIUM DELUXE**



ADELAÏDE 3 PREMIUM



ADELAÏDE 3 PREMIUM DELUXE

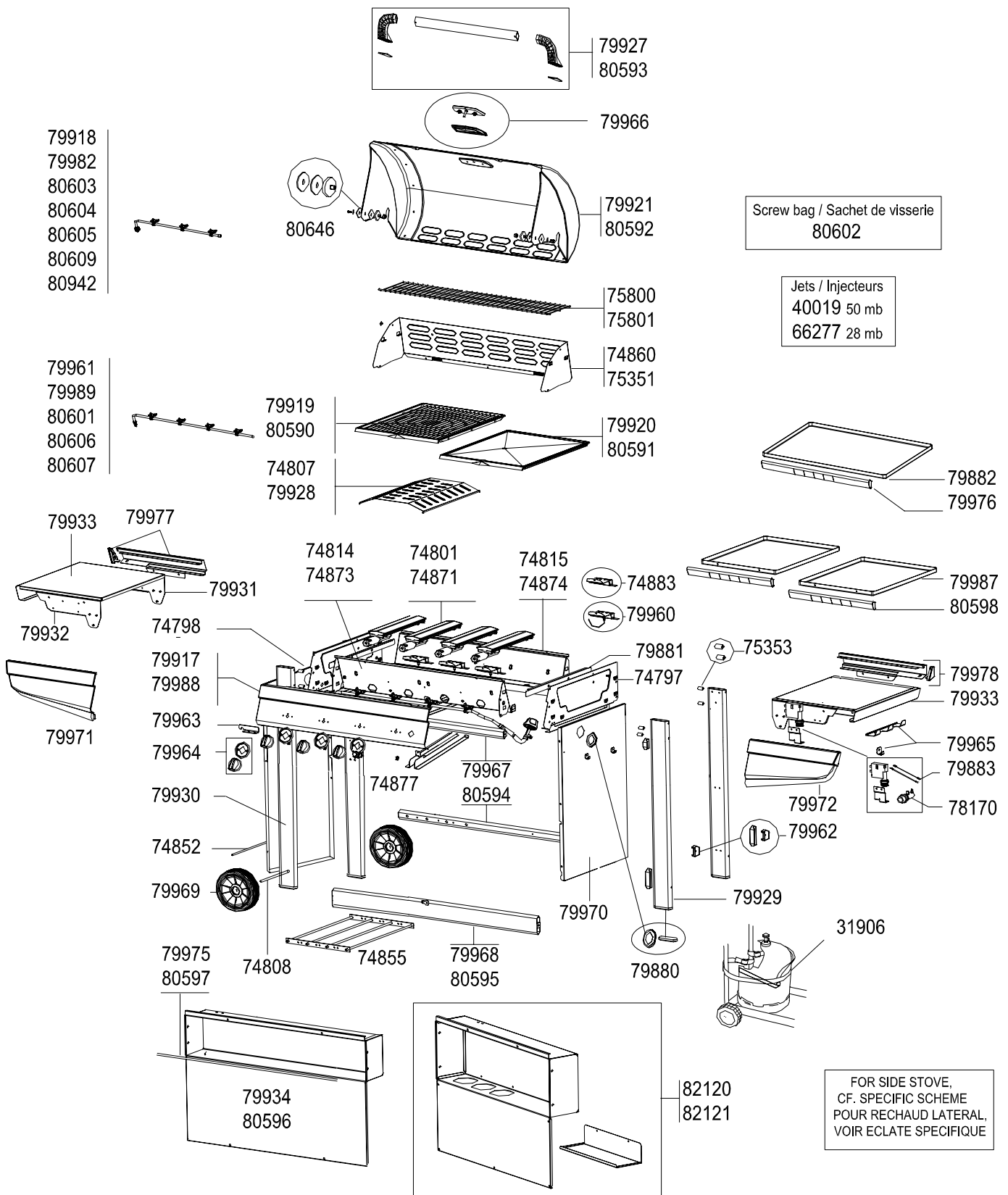


ADELAÏDE 4 PREMIUM



ADELAÏDE 4 PREMIUM DELUXE

**BARBECUES : ADELAÏDE : 3 - 4
PREMIUM - PREMIUM DELUXE**



**BARBECUES : ADELAÏDE 3 - 4
PREMIUM - PREMIUM DELUXE**



REF.	POINTS	GB DESIGNATIONS	DESIGNATIONS F	3 PREMIUM	3 PREMIUM DELUXE	4 PREMIUM	4 PREMIUM DELUXE
31906	30	CYLINDER STRAP	SANGLE BOUTEILLE	X	X	X	X
40019	50	JET	INJECTEUR	X	X	X	X
66277	30	JET	INJECTEUR	X	X	X	X
74797	100	BASE - RIGHT SIDE	CUVE - COTE DROIT	X	X	X	X
74798	100	BASE - LEFT SIDE	CUVE - COTE GAUCHE	X	X	X	X
74801	100	28 MBAR CAST-IRON BURNER	BRULEUR FONTE 28 MBAR	X	X	X	X
74807	70	HEAT DIFFUSER	DIFFUSEUR DE CHALEUR	X	X	X	X
74808	40	WHEEL AXLE	AXE DE ROUE	X	X	X	X
74814	100	BASE - FRONT PART	CUVE - PARTIE FRONTALE	X	X		
74815	100	BASE - REAR PART	CUVE - PARTIE ARRIERE	X	X		
74852	30	STOP CYLINDER WIRE	FIL ARRET BOUTEILLE	X	X	X	X
74855	90	CYLINDER HOLDER	SUPPORT DE RESERVOIR	X	X	X	X
74860	170	WINDSHIELD	PAREVENT	X	X		
74871	100	BURNER 50 MBAR	BRULEUR 50 MBAR	X	X	X	X
74873	120	BASE - FRONT PART	CUVE - PARTIE FRONTALE			X	X
74874	120	BASE - REAR PART	CUVE - PARTIE ARRIERE			X	X
74877	60	CENTRAL GUIDE	GLISSIERE CENTRALE			X	X
74883	40	ELECTRODE HOUSING	SUPPORT ELECTRODE	X	X	X	X
75351	170	WINDSHIELD	PAREVENT			X	X
75353	50	SPACERS (x8)	ENTRETOISES (x8)	X	X	X	X
75800	140	WARMING GRID	GRILLE DE MIJOTAGE			X	X
75801	140	WARMING GRID	GRILLE DE MIJOTAGE	X	X		
78170	90	PUSH BUTTON ELECTRONIC IGNITOR	BOUTON POUSSOIR TRAIN D'ETINCELLES	X	X	X	X
79880	30	PLASTIC FOOT	PIED PLASTIQUE	X	X	X	X
79881	100	STRENGTHENING BAR FOR BASE (X 2)	BARRE RENFORT CUVE (X 2)	X	X	X	X
79882	250	GREASE DRAWER	TIROIR A GRAISSE	X	X		
79883	200	ELECTRONIC IGNITION SET	KIT ALLUMAGE ELECTRONIQUE	X	X	X	X
79917	200	CONTROL PANEL	CONSOLE	X	X		
79918	250	GAS PIPE 28 MB - EXPORT NOZZLE	TUBULURE 28 MB - ABOUT EXPORT	X			
79919	380	ENAMELLED CAST IRON GRID	GRILLE FONTE EMAILLEE	X	X		
79920	300	ENAMELLED CAST IRON GRIDDLE	PLAQUE FONTE EMAILLEE	X	X		
79921	780	LID	COUVERCLE	X	X		
79927	200	HANDLE	POIGNEE	X	X		
79928	100	ENAMELLED HEAT DIFFUSER	DIFFUSEUR DE CHALEUR EMAILLE	X	X	X	X
79929	100	RIGHT TUBE + PLASTIC FOOT	TUBE DROIT + PATIN PLASTIQUE	X	X	X	X
79930	100	LEFT TUBE + PLASTIC FOOT	TUBE GAUCHE + PATIN PLASTIQUE	X	X	X	X
79931	70	LEFT PLANK HOLDER	SUPPORT ETAGERE GAUCHE	X	X	X	X
79932	70	RIGHT PLANK HOLDER	SUPPORT ETAGERE DROIT	X	X	X	X
79933	80	SHELF	ETAGERE	X	X	X	X
79934	250	CYLINDER COVER SHEET METAL	TOLE CACHE BOUTEILLE	X	X		
79960	80	ELECTRODE (SQUARE END) + HOLDER	ELECTRODE (COSSE PLATE) + SUPPORT	X	X	X	X
79961	320	STOVE GAS PIPE 28 MB - 1/2"(Fr)	TUBULURE RECHAUD LATERAL 28 MB - 1/2"(Fr)				X
79962	70	TUBES INSERTS (SMALL + LARGE MODELS)	INSERTS TUBES (PETITS + GROS)	X	X	X	X
79963	70	HOOK FOR GAS PIPE	CROCHET POUR TUBULURE	X	X	X	X
79964	70	KNOB + CIRCLE	VOLANT + CERCLE	X	X	X	X
79965	90	USTENSILS HOLDER + HOOK FOR STOVE	PORTE USTENSILES + CROCHET RECHAUD	X	X	X	X
79966	150	THERMOMETER	THERMOMETRE	X	X	X	X
79967	120	CROSS TUBE - REAR SIDE	TRAVERSE CHARIOT ARRIERE	X	X		



**BARBECUES : ADELAÏDE 3 - 4
PREMIUM - PREMIUM DELUXE**

REF.	POINTS	GB DESIGNATIONS	DESIGNATIONS F	3 PREMIUM	3 PREMIUM DELUXE	4 PREMIUM	4 PREMIUM DELUXE
79968	120	CROSS TUBE - FRONT SIDE	TRAVERSE CHARIOT AVANT	X	X		
79969	90	WHEEL	ROUE	X	X	X	X
79970	120	LATERAL PANEL	PANNEAU LATERAL	X	X	X	X
79971	170	FRONT WING (LEFT SHELF)	FLANC AVANT (ETAGERE GAUCHE)	X	X	X	X
79972	170	FRONT WING (RIGHT SHELF)	FLANC AVANT (ETAGERE DROITE)	X	X	X	X
79975	70	TUBE OF CYLINDER COVER	TUBE CACHE BOUTEILLE	X	X		
79976	80	DRAWER HANDLE	POIGNEE TIROIR	X	X		
79977	80	REAR WING FOR LEFT SHELF	ENJOLIVEUR ARRIERE ETAGERE GAUCHE	X	X	X	X
79978	80	REAR WING FOR RIGHT SHELF	ENJOLIVEUR ARRIERE ETAGERE DROIT	X	X	X	X
79982	320	SIDE STOVE PIPE 28 MB - EXPORT NOZZLE	TUBULURE RECHAUD LATERAL 28 MB - ABOUT EXPORT		X		
79987	160	GREASE DRAWER	TIROIR A GRAISSE			X	X
79988	120	FRONT PANEL	CONSOLE			X	X
79989	280	GAS PIPE 28 MB EXPORT NOZZLE	TUBULURE 28 MB ABOUT EXPORT			X	
80590	250	CAST IRON ENAMELLED GRID	GRILLE FONTE EMAILLEE			X	X
80591	250	CAST IRON ENAMELLED GRIDDLE	PLAQUE FONTE EMAILLEE			X	X
80592	520	LID	COUVERCLE			X	X
80593	120	HANDLE	POIGNEE			X	X
80594	120	CROSS TUBE - REAR SIDE	TRAVERSE CHARIOT ARRIERE			X	X
80595	120	CROSS TUBE - FRONT SIDE	TRAVERSE CHARIOT AVANT			X	X
80596	240	CYLINDER COVER SHEET METAL	TOLE CACHE BOUTEILLE			X	X
80597	70	TUBE OF CYLINDER COVER	TUBE CACHE BOUTEILLE			X	X
80598	60	DRAWER HANDLE	POIGNEE TIROIR			X	X
80601	320	SIDE STOVE GAS PIPE 50 MB - 1/4"(D)	TUBULURE RECHAUD LATERAL 50 MB - 1/4"(D)				X
80602	180	SCREW BAGS (SMALL + LARGE PARTS)	SACHETS DE VIS (PETITES + GROSSES PIECES)	X	X	X	X
80603	280	GAS PIPE 28 MB - 1/2"(Fr)	TUBULURE 28 MB - 1/2"(Fr)	X			
80604	280	GAS PIPE 50 MB - 1/4"(D)	TUBULURE 50 MB - 1/4"(D)	X			
80605	320	STOVE GAS PIPE 28 MB - 1/2" (Fr)	TUBULURE RECHAUD LATERAL 28 MB 1/2" (Fr)		X		
80606	320	STOVE GAS PIPE 28MB EXPORT NOZZLE	TUBULURE RECHAUD LATERAL 28 MB ABOUT EXPORT				X
80607	280	GAS PIPE 50 MB - 1/4" (D)	TUBULURE 50 MB - 1/4" (D)			X	
80609	320	STOVE GAS PIPE 50 MB - 1/4" (D)	TUBULURE RECHAUD LATERAL 50 MB 1/4" (D)		X		
80646	120	AXLE + LATERAL STOP + WASHERS	AXE + JOINTS + BUTEES + RONDELLES	X	X	X	X
80942	320	STOVE GAS PIPE 28 mb 1/4"Ch	TUBULURE RECHAUD LATERAL 28 mb 1/4" Ch		X		
82120	240	CYLINDER COVER SHEET METAL MOD.2010	TOLE CACHE BOUTEILLE MOD.2010			X	X
82121	240	CYLINDER COVER SHEET METAL MOD.2010	TOLE CACHE BOUTEILLE MOD.2010	X	X		
79915	120	PACKAGING	EMBALLAGE	X			
79979	120	PACKAGING	EMBALLAGE		X		
79986	120	PACKAGING	EMBALLAGE			X	
80599	120	PACKAGING	EMBALLAGE				X
	O	FOR SIDE STOVE SEE SIDE STOVE SCHEME OF ADELAÏDE PREMIUM POUR RECHAUD LATERAL VOIR ECLATE RECHAUD ADELAÏDE PREMIUM			X		X