

**BARBECUES : ADELAÏDE : 3 - 4
PREMIUM - PREMIUM DELUXE**



ADELAÏDE 3 PREMIUM



ADELAÏDE 3 PREMIUM DELUXE

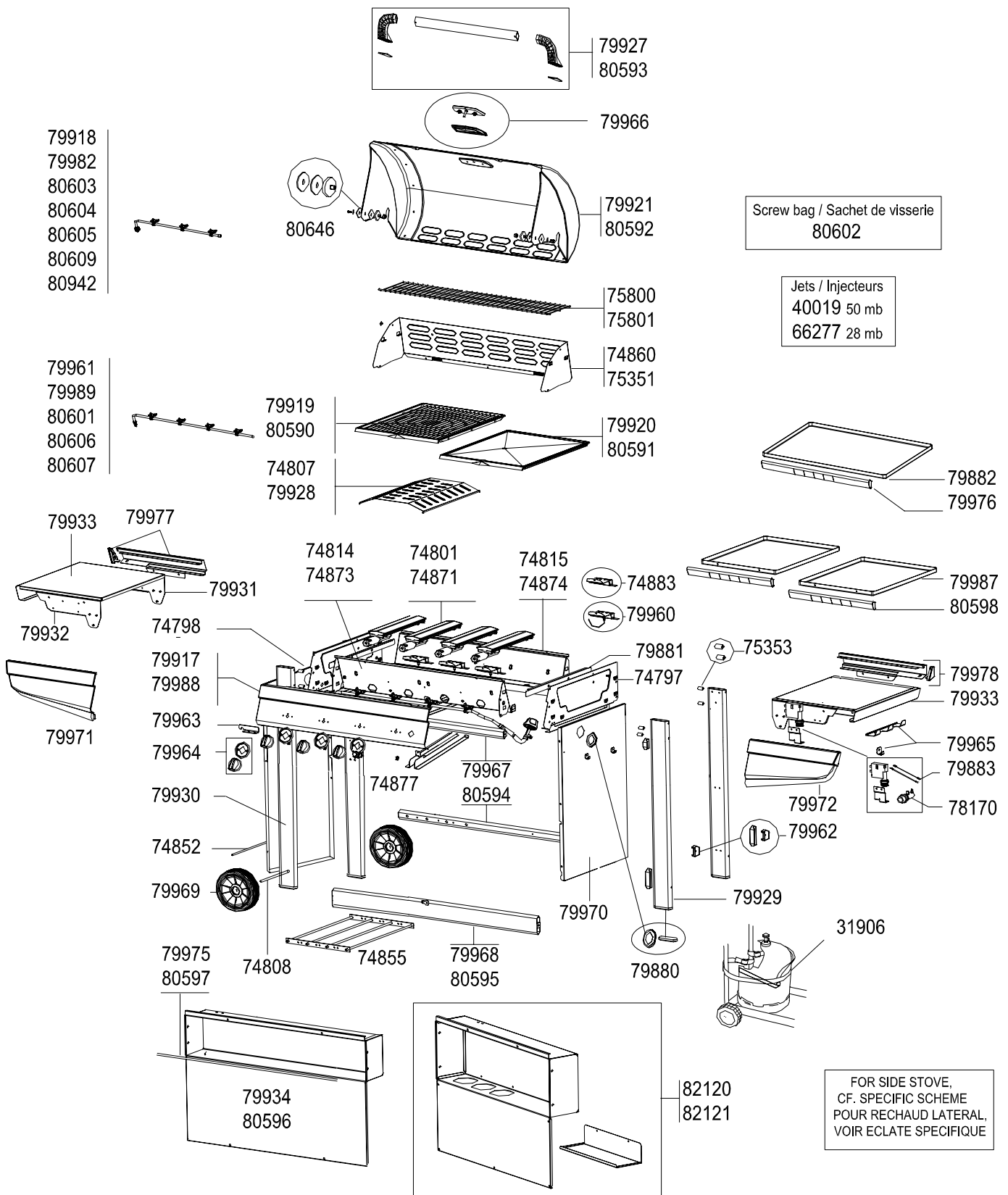


ADELAÏDE 4 PREMIUM

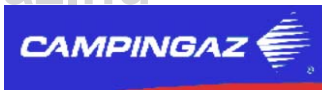


ADELAÏDE 4 PREMIUM DELUXE

**BARBECUES : ADELAÏDE : 3 - 4
PREMIUM - PREMIUM DELUXE**



**BARBECUES : ADELAÏDE 3 - 4
PREMIUM - PREMIUM DELUXE**



| REF. | POINTS | GB DESIGNATIONS | DESIGNATIONS F | 3 PREMIUM | 3 PREMIUM DELUXE | 4 PREMIUM | 4 PREMIUM DELUXE |
|-------|--------|--------------------------------------|---|-----------|------------------|-----------|------------------|
| 31906 | 30 | CYLINDER STRAP | SANGLE BOUTEILLE | X | X | X | X |
| 40019 | 50 | JET | INJECTEUR | X | X | X | X |
| 66277 | 30 | JET | INJECTEUR | X | X | X | X |
| 74797 | 100 | BASE - RIGHT SIDE | CUVE - COTE DROIT | X | X | X | X |
| 74798 | 100 | BASE - LEFT SIDE | CUVE - COTE GAUCHE | X | X | X | X |
| 74801 | 100 | 28 MBAR CAST-IRON BURNER | BRULEUR FONTE 28 MBAR | X | X | X | X |
| 74807 | 70 | HEAT DIFFUSER | DIFFUSEUR DE CHALEUR | X | X | X | X |
| 74808 | 40 | WHEEL AXLE | AXE DE ROUE | X | X | X | X |
| 74814 | 100 | BASE - FRONT PART | CUVE - PARTIE FRONTALE | X | X | | |
| 74815 | 100 | BASE - REAR PART | CUVE - PARTIE ARRIERE | X | X | | |
| 74852 | 30 | STOP CYLINDER WIRE | FIL ARRET BOUTEILLE | X | X | X | X |
| 74855 | 90 | CYLINDER HOLDER | SUPPORT DE RESERVOIR | X | X | X | X |
| 74860 | 170 | WINDSHIELD | PAREVENT | X | X | | |
| 74871 | 100 | BURNER 50 MBAR | BRULEUR 50 MBAR | X | X | X | X |
| 74873 | 120 | BASE - FRONT PART | CUVE - PARTIE FRONTALE | | | X | X |
| 74874 | 120 | BASE - REAR PART | CUVE - PARTIE ARRIERE | | | X | X |
| 74877 | 60 | CENTRAL GUIDE | GLISSIERE CENTRALE | | | X | X |
| 74883 | 40 | ELECTRODE HOUSING | SUPPORT ELECTRODE | X | X | X | X |
| 75351 | 170 | WINDSHIELD | PAREVENT | | | X | X |
| 75353 | 50 | SPACERS (x8) | ENTRETOISES (x8) | X | X | X | X |
| 75800 | 140 | WARMING GRID | GRILLE DE MIJOTAGE | | | X | X |
| 75801 | 140 | WARMING GRID | GRILLE DE MIJOTAGE | X | X | | |
| 78170 | 90 | PUSH BUTTON ELECTRONIC IGNITOR | BOUTON POUSSOIR TRAIN D'ETINCELLES | X | X | X | X |
| 79880 | 30 | PLASTIC FOOT | PIED PLASTIQUE | X | X | X | X |
| 79881 | 100 | STRENGTHENING BAR FOR BASE (X 2) | BARRE RENFORT CUVE (X 2) | X | X | X | X |
| 79882 | 250 | GREASE DRAWER | TIROIR A GRAISSE | X | X | | |
| 79883 | 200 | ELECTRONIC IGNITION SET | KIT ALLUMAGE ELECTRONIQUE | X | X | X | X |
| 79917 | 200 | CONTROL PANEL | CONSOLE | X | X | | |
| 79918 | 250 | GAS PIPE 28 MB - EXPORT NOZZLE | TUBULURE 28 MB - ABOUT EXPORT | X | | | |
| 79919 | 380 | ENAMELLED CAST IRON GRID | GRILLE FONTE EMAILLEE | X | X | | |
| 79920 | 300 | ENAMELLED CAST IRON GRIDDLE | PLAQUE FONTE EMAILLEE | X | X | | |
| 79921 | 780 | LID | COUVERCLE | X | X | | |
| 79927 | 200 | HANDLE | POIGNEE | X | X | | |
| 79928 | 100 | ENAMELLED HEAT DIFFUSER | DIFFUSEUR DE CHALEUR EMAILLE | X | X | X | X |
| 79929 | 100 | RIGHT TUBE + PLASTIC FOOT | TUBE DROIT + PATIN PLASTIQUE | X | X | X | X |
| 79930 | 100 | LEFT TUBE + PLASTIC FOOT | TUBE GAUCHE + PATIN PLASTIQUE | X | X | X | X |
| 79931 | 70 | LEFT PLANK HOLDER | SUPPORT ETAGERE GAUCHE | X | X | X | X |
| 79932 | 70 | RIGHT PLANK HOLDER | SUPPORT ETAGERE DROIT | X | X | X | X |
| 79933 | 80 | SHELF | ETAGERE | X | X | X | X |
| 79934 | 250 | CYLINDER COVER SHEET METAL | TOLE CACHE BOUTEILLE | X | X | | |
| 79960 | 80 | ELECTRODE (SQUARE END) + HOLDER | ELECTRODE (COSSE PLATE) + SUPPORT | X | X | X | X |
| 79961 | 320 | STOVE GAS PIPE 28 MB - 1/2"(Fr) | TUBULURE RECHAUD LATERAL 28 MB - 1/2"(Fr) | | | | X |
| 79962 | 70 | TUBES INSERTS (SMALL + LARGE MODELS) | INSERTS TUBES (PETITS + GROS) | X | X | X | X |
| 79963 | 70 | HOOK FOR GAS PIPE | CROCHET POUR TUBULURE | X | X | X | X |
| 79964 | 70 | KNOB + CIRCLE | VOLANT + CERCLE | X | X | X | X |
| 79965 | 90 | USTENSILS HOLDER + HOOK FOR STOVE | PORTE USTENSILES + CROCHET RECHAUD | X | X | X | X |
| 79966 | 150 | THERMOMETER | THERMOMETRE | X | X | X | X |
| 79967 | 120 | CROSS TUBE - REAR SIDE | TRAVERSE CHARIOT ARRIERE | X | X | | |



**BARBECUES : ADELAÏDE 3 - 4
PREMIUM - PREMIUM DELUXE**

| REF. | POINTS | GB DESIGNATIONS | DESIGNATIONS F | 3 PREMIUM | 3 PREMIUM DELUXE | 4 PREMIUM | 4 PREMIUM DELUXE |
|-------|--------|---|---|-----------|------------------|-----------|------------------|
| 79968 | 120 | CROSS TUBE - FRONT SIDE | TRAVERSE CHARIOT AVANT | X | X | | |
| 79969 | 90 | WHEEL | ROUE | X | X | X | X |
| 79970 | 120 | LATERAL PANEL | PANNEAU LATERAL | X | X | X | X |
| 79971 | 170 | FRONT WING (LEFT SHELF) | FLANC AVANT (ETAGERE GAUCHE) | X | X | X | X |
| 79972 | 170 | FRONT WING (RIGHT SHELF) | FLANC AVANT (ETAGERE DROITE) | X | X | X | X |
| 79975 | 70 | TUBE OF CYLINDER COVER | TUBE CACHE BOUTEILLE | X | X | | |
| 79976 | 80 | DRAWER HANDLE | POIGNEE TIROIR | X | X | | |
| 79977 | 80 | REAR WING FOR LEFT SHELF | ENJOLIVEUR ARRIERE ETAGERE GAUCHE | X | X | X | X |
| 79978 | 80 | REAR WING FOR RIGHT SHELF | ENJOLIVEUR ARRIERE ETAGERE DROIT | X | X | X | X |
| 79982 | 320 | SIDE STOVE PIPE 28 MB - EXPORT NOZZLE | TUBULURE RECHAUD LATERAL 28 MB - ABOUT EXPORT | | X | | |
| 79987 | 160 | GREASE DRAWER | TIROIR A GRAISSE | | | X | X |
| 79988 | 120 | FRONT PANEL | CONSOLE | | | X | X |
| 79989 | 280 | GAS PIPE 28 MB EXPORT NOZZLE | TUBULURE 28 MB ABOUT EXPORT | | | X | |
| 80590 | 250 | CAST IRON ENAMELLED GRID | GRILLE FONTE EMAILLEE | | | X | X |
| 80591 | 250 | CAST IRON ENAMELLED GRIDDLE | PLAQUE FONTE EMAILLEE | | | X | X |
| 80592 | 520 | LID | COUVERCLE | | | X | X |
| 80593 | 120 | HANDLE | POIGNEE | | | X | X |
| 80594 | 120 | CROSS TUBE - REAR SIDE | TRAVERSE CHARIOT ARRIERE | | | X | X |
| 80595 | 120 | CROSS TUBE - FRONT SIDE | TRAVERSE CHARIOT AVANT | | | X | X |
| 80596 | 240 | CYLINDER COVER SHEET METAL | TOLE CACHE BOUTEILLE | | | X | X |
| 80597 | 70 | TUBE OF CYLINDER COVER | TUBE CACHE BOUTEILLE | | | X | X |
| 80598 | 60 | DRAWER HANDLE | POIGNEE TIROIR | | | X | X |
| 80601 | 320 | SIDE STOVE GAS PIPE 50 MB - 1/4"(D) | TUBULURE RECHAUD LATERAL 50 MB - 1/4"(D) | | | | X |
| 80602 | 180 | SCREW BAGS (SMALL + LARGE PARTS) | SACHETS DE VIS (PETITES + GROSSES PIECES) | X | X | X | X |
| 80603 | 280 | GAS PIPE 28 MB - 1/2"(Fr) | TUBULURE 28 MB - 1/2"(Fr) | X | | | |
| 80604 | 280 | GAS PIPE 50 MB - 1/4"(D) | TUBULURE 50 MB - 1/4"(D) | X | | | |
| 80605 | 320 | STOVE GAS PIPE 28 MB - 1/2" (Fr) | TUBULURE RECHAUD LATERAL 28 MB 1/2" (Fr) | | X | | |
| 80606 | 320 | STOVE GAS PIPE 28MB EXPORT NOZZLE | TUBULURE RECHAUD LATERAL 28 MB ABOUT EXPORT | | | | X |
| 80607 | 280 | GAS PIPE 50 MB - 1/4" (D) | TUBULURE 50 MB - 1/4" (D) | | | X | |
| 80609 | 320 | STOVE GAS PIPE 50 MB - 1/4" (D) | TUBULURE RECHAUD LATERAL 50 MB 1/4" (D) | | X | | |
| 80646 | 120 | AXLE + LATERAL STOP + WASHERS | AXE + JOINTS + BUTEES + RONDELLES | X | X | X | X |
| 80942 | 320 | STOVE GAS PIPE 28 mb 1/4"Ch | TUBULURE RECHAUD LATERAL 28 mb 1/4" Ch | | X | | |
| 82120 | 240 | CYLINDER COVER SHEET METAL MOD.2010 | TOLE CACHE BOUTEILLE MOD.2010 | | | X | X |
| 82121 | 240 | CYLINDER COVER SHEET METAL MOD.2010 | TOLE CACHE BOUTEILLE MOD.2010 | X | X | | |
| 79915 | 120 | PACKAGING | EMBALLAGE | X | | | |
| 79979 | 120 | PACKAGING | EMBALLAGE | | X | | |
| 79986 | 120 | PACKAGING | EMBALLAGE | | | X | |
| 80599 | 120 | PACKAGING | EMBALLAGE | | | | X |
| | O | FOR SIDE STOVE SEE SIDE STOVE SCHEME OF ADELAÏDE PREMIUM POUR RECHAUD LATERAL VOIR ECLATE RECHAUD ADELAÏDE PREMIUM | | | X | | X |