

**BARBECUES EXPERT 2 : PLUS - SUPER -
EXPERT 2 - COMFORT - DELUXE - LUXE -
WOODY - ADVANTAGE - ADVANTAGE
DELUXE & VENTURA WOODY**



2 PLUS & SUPER



EXPERT 2



COMFORT



DELUXE & LUXE



WOODY



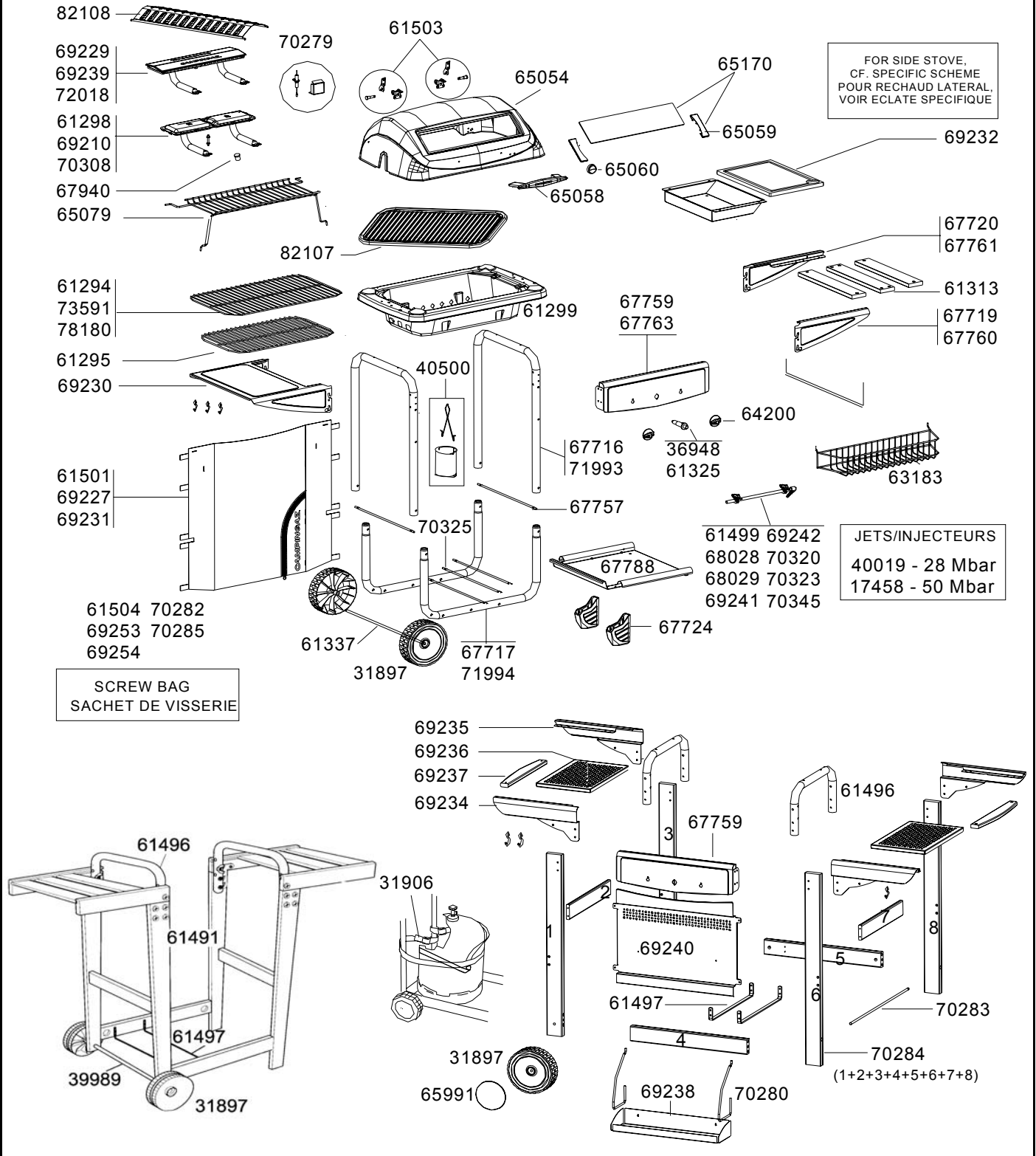
**WOODY ADVANTAGE &
VENTURA WOODY**



**WOODY ADVANTAGE DE
LUXE**



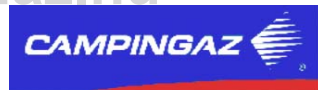
**BARBECUES EXPERT 2 : PLUS - SUPER -
EXPERT 2 - COMFORT - DELUXE - LUXE -
WOODY - ADVANTAGE - ADVANTAGE
DELUXE & VENTURA WOODY**



**BARBECUES EXPERT 2 : PLUS - SUPER -
EXPERT 2 - COMFORT - DELUXE - LUXE -
WOODY - ADVANTAGE - ADVANTAGE
DELUXE & VENTURA WOODY**



REF	POINTS	GB DESIGNATIONS	DESIGNATIONS F	2	PLUS	SUPER	COMFORT	DELUXE & LUXE	WOODY	ADVANTAGE & VENTURA WOODY	ADVANTAGE DELUXE
17458	50	JET	INJECTEUR	X	X	X	X	X	X	X	X
31897	50	WHEEL DIAMETER 175 (X 1)	ROUE DIAMETRE 175 (X 1)	X	X	X	X	X	X	X	X
31906	30	CYLINDER STRAP	SANGLE BOUTEILLE	X	X	X	X	X	X	X	X
36948	60	SIMPLE IGNITER	PIEZO SIMPLE	X	X	X	X		X	X	
39989	50	WHEEL AXIS	AXE DE ROUE						X		
40019	50	JET	INJECTEUR	X	X	X	X	X	X	X	X
40500	40	GREASE CAN + WIRE	BOITE A GRAISSE + FIL	X	X	X	X	X	X	X	X
61294	120	NICKEL CHROME COOKING GRATE	GRILLE DE CUISSON CHROME	X	X	X	X	X	X	X	X
61295	90	LAVA ROCK GRATE	GRILLE PIERRE DE LAVE	X	X	X	X	X	X	X	X
61298	165	BURNER 28 MBAR	BRULEUR 28 MBAR		X	X					
61299	295	BOTTOM	CUVE	X	X	X	X	X	X	X	X
61313	80	SET OF 3 PLANKS	JEU DE 3 LATTES	X				X			
61325	83	DOUBLE IGNITOR	PIEZO DOUBLE					X			X
61337	30	AXLE WHEEL	AXE DE ROUE	X	X	X	X	X			
61491	700	FULL WOOD CARRIAGE - BEECH	CHARIOT PREEMBALLÉ EN HÊTRE						X		
61496	70	GREY "U" TUBE	TUBE EN "U" GRIS						X	X	X
61497	50	CYLINDER SUPPORT	SUPPORT BOUTEILLE						X	X	X
61499	150	GAS PIPE 50 MB- 1/4"	TUBULURE COMPLETE 50MB-1/4"	X	X	X	X		X	X	
61501	100	YELLOW/BROWN CYLINDER COVER	JUPE CACHE BOUT.JAUNE/MARRON						X		
61503	50	LID HINGE SET (X 2)	CHARNIERES+AXE x 2 COUVERCLE	X	X	X	X	X	X	X	X
61504	100	SCREW BAG FULL WOOD CARRIAGE	SACHET VISSERIE CHARIOT BOIS						X		
63183	100	FRONTAL BASKET	PANIER FRONTAL					X			
64200	30	KNOBS (X 2)	VOLANTS (X2)	X	X	X	X	X	X	X	X
65054	290	LID	COUVERCLE	X	X	X	X	X	X	X	X
65058	55	PLASTIC FRONT HANDLE	POIGNEE FRONTALE PLASTIQUE	X	X	X	X	X	X	X	X
65059	60	GLASS SQUARE (X 2)	EQUERRE MAINTIEN VITRE (X2)	X	X	X	X	X	X	X	X
65060	50	THERMOMETER	THERMOMETRE	X	X	X	X	X	X	X	X
65079	80	ARTICULATED WARMING GRID	GRILLE DE MIJOTAGE ARTICULEE	X	X	X	X	X	X	X	X
65170	100	GLASS (+ 2 SUPPORTS)	VITRE (+ 2 EQUERRES)	X	X	X	X	X	X	X	X
65991	30	HUB CAP	ENJOLIVEUR DE ROUE							X	X
67716	90	UPPER U TUBE - GREY	TUBE U SUPERIEUR - GRIS	X	X	X	X	X			
67717	90	LOWER U TUBE - GREY	TUBE U INFERIEUR - GRIS	X	X	X	X	X			
67719	60	LEFT SHELF HOLDER - GREY	SUPPORT ETAGERE GAUCHE - GRIS	X							
67720	60	RIGHT SHELF HOLDER - GREY	SUPPORT ETAGERE DROIT - GRIS	X							
67724	30	FOOT	PIED	X	X	X	X	X			
67757	30	CYLINDER STOP WIRE	FIL ARRET BOUTEILLE	X	X	X	X	X			
67759	90	SILVER FRONT PANEL	CONSOLE ARGENT	X	X	X	X	X		X	X
67760	60	LEFT SHELF HOLDER - SILVER	SUPPORT ETAGERE GAUCHE - ARGENT	X	X	X	X	X			
67761	60	RIGHT SHELF HOLDER - SILVER	SUPPORT ETAGERE DROIT - ARGENT	X	X	X	X	X			
67763	100	GREY FRONT PANEL	CONSOLE GRISE	X					X		
67788	110	GREY CYLINDER SUPPORT	SUPPORT DE RESERVOIR GRIS	X	X	X	X	X			
67940	30	SCREW (X 5) FOR BURNER	VIS (x 5) POUR BRULEUR		X	X					
68028	150	GAS PIPE 28 MBAR - EXPORT NOZZLE	TUBULURE 28 MBAR - ABOUT EXPORT	X	X	X	X			X	
68029	260	SIDE STOVE PIPE 28 MB -EXPORT NOZZLE	TUBULURE RECHAUD 28 MB -ABOUT EXPORT					X			X
69210	150	BURNER 50 MBAR	BRULEUR 50 MBAR		X	X					
69227	110	CYLINDER COVER	JUPE	X	X	X		X			
69229	260	CAST-IRON BURNER 28 MB	BRULEUR FONTE 28 MB	X			X	X	X	X	X



**BARBECUES EXPERT 2 : PLUS - SUPER -
EXPERT 2 - COMFORT - DELUXE - LUXE -
WOODY - ADVANTAGE - ADVANTAGE
DELUXE & VENTURA WOODY**

REF	POINTS	GB DESIGNATIONS	DESIGNATIONS F	2	PLUS	SUPER	COMFORT	DELUXE & LUXE	WOODY	ADVANTAGE & VENTURA WOODY	ADVANTAGE DELUXE
69230	120	SHEET METAL SIDE SHELF - SILVER	ETAGERE TOLE - ARGENT		X		X				
69231	150	K-WAY CYLINDER COVER	JUPE K-WAY			X	X	X			
69232	60	WOODEN PLANK	PLANCHE A DECOUPER				X				
69234	80	LEFT SHELF HOLDER - SILVER	SUPPORT ETAGERE GAUCHE -ARGENT							X	X
69235	80	RIGHT SHELF HOLDER	SUPPORT ETAGERE DROIT							X	X
69236	100	SHEET METAL SHELF	ETAGERE TOLE							X	X
69237	50	SHELF LATH	LATTE ETAGERE							X	X
69238	100	SHEET METAL BASKET	PANIER TOLE							X	X
69239	220	CAST-IRON BURNER 50 MB	BRULEUR FONTE 50 MB	X	X	X	X	X	X	X	X
69240	130	CYLINDER COVER	CACHE BOUTEILLE							X	X
69241	160	GAS PIPE 28 MB - 1/2"(Fr)	TUBULURE 28 MB - 1/2"(Fr)	X	X	X	X		X	X	
69242	260	SIDE STOVE GAS PIPE 28 MB - 1/2"	TUBULURE RECHAUD LATERAL 28 MB 1/2"					X			X
69253	100	SCREW BAG	SACHET DE VISSERIE	X	X	X	X	X			
69254	100	SCREW BAG	SACHET DE VISSERIE							X	X
70279	50	ELECTRODE + HOLDER	ELECTRODE + CACHE ELECTRODE	X	X	X	X	X	X	X	X
70280	30	BASKET WIRE	FIL PANIER							X	X
70282	80	SCREW BAG	SACHET DE VISSERIE							X	X
70283	30	WHEEL AXLE	AXE DE ROUE							X	X
70284	500	WOODEN TROLLEY	CHARIOT BOIS							X	X
70285	100	SACHET DE VISSERIE	SCREW BAG						X		
70308	220	ACCESSORY BURNER ELDORADO/EXPERT	ACCESSOIRE BRULEUR ELDORADO/EXPERT		X	X					
70320	150	GAS PIPE 28 MB - 1/4" CH	TUBULURE 28 MB - 1/4" CH	X							
70323	230	SIDE STOVE GAS PIPE 28 MB - 1/4" (Ch)	TUBULURE RECHAUD LATERAL 28 MB - 1/4" (CH)					X			
70325	70	CYLINDER WIRE (x 3)	FILS SUPPORT BOUTEILLE (x 3)					X			
70345	220	SIDE STOVE GAS PIPE 50 MB 1/4"(D)	TUBULURE RECHAUD LATERAL 50 MB 1/4"(D)					X			X
71993	90	UPPER U TUBE - SILVER	TUBE U SUPERIEUR - ARGENT					X			
71994	90	LOWER U TUBE - SILVER	TUBE U INFERIEUR - ARGENT					X			
72018	250	ACCESSORY CAST IRON BURNER EXPERT ELDORADO	ACCESSOIRE BRULEUR FONTE EXPERT ELDORADO	X	X	X	X	X	X	X	X
73591	200	CAST IRON GRID	GRILLE FONTE	X							
78180	170	ENAMELLED GRID	GRILLE EMAILLEE	X		X		X		X	
82107	180	CAST IRON GRID VENTURA	GRILLE FONTE VENTURA							X	
82108	80	BURNER TENT FOR VENTURA	TENTE PROTEGE BRULEUR VENTURA			X				X	
69243	90	PACKAGING	EMBALLAGE	X							
69244	90	PACKAGING	EMBALLAGE		X						
69247	110	PACKAGING EXPERT 2 DELUXE	EMBALLAGE EXPERT 2 DELUXE					X			
69249	90	PACKAGING	EMBALLAGE						X		
69250	110	PACKAGING EXPERT 2 ADVANTAGE	EMBALLAGE EXPERT 2 ADVANTAGE							X	
69251	110	PACKAGING CLASSIC France	EMBALLAGE CLASSIC France							X	
69252	110	PACKAGING	EMBALLAGE								X
75827	90	PACKAGING MOD. SUPER	EMBALLAGE MOD. SUPER			X					
	O	POUR PIECES DE RECHAUD LATERAL VOIR PLANCHE DU RECHAUD EXPERT 2 FOR SIDE STOVE SEE EXPERT 2 STOVE SCHEME						X			X