

**BARBECUES EXPERT COMPACT -  
CLASSIC - PLUS - EXPERT -TRADITION  
- DELUXE - WOODY  
MOD. 2002/03**



**COMPACT**



**CLASSIC**



**PLUS**



**TRADITION**



**DELUXE**



**WOODY**

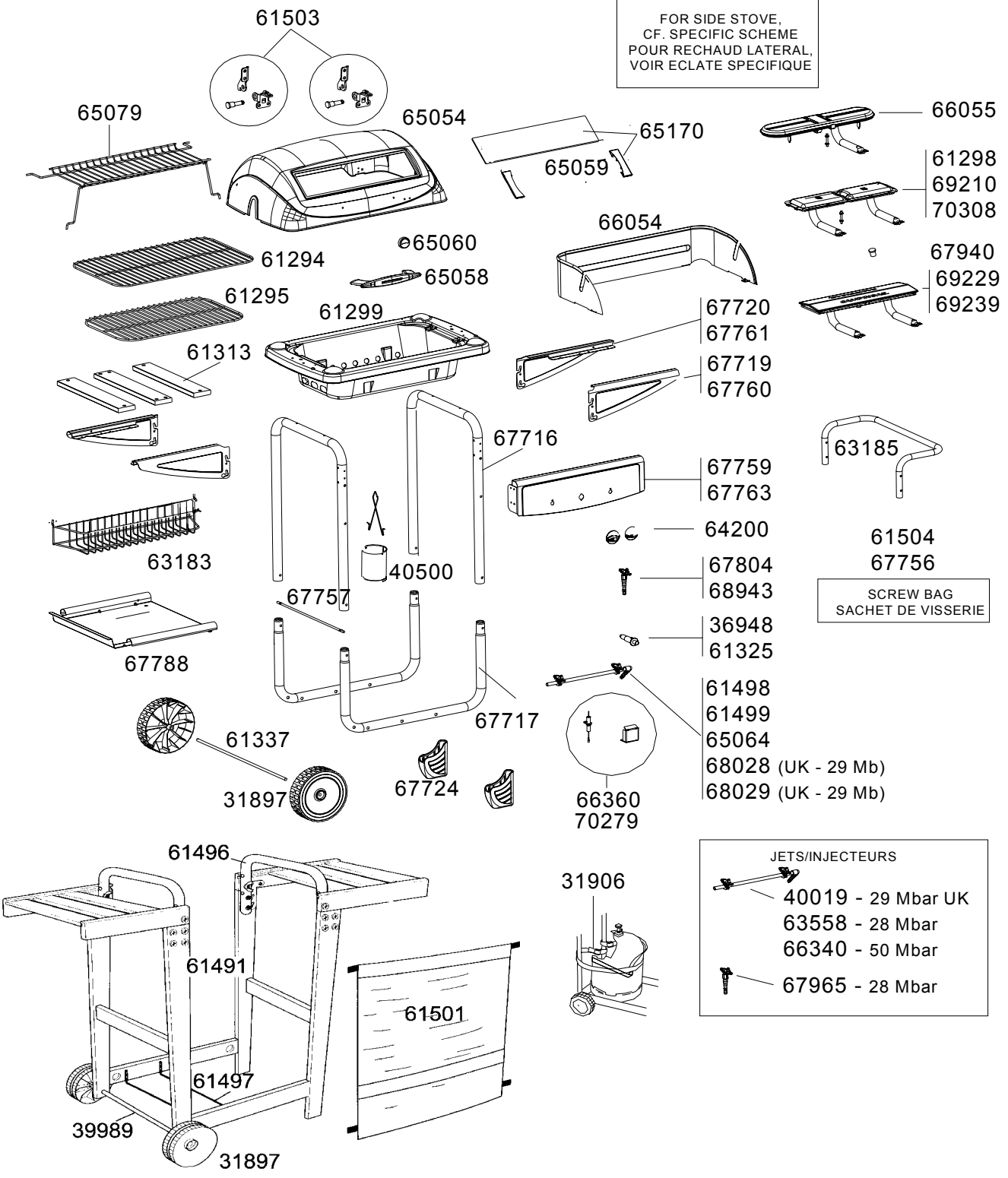


**EXPERT**



**BARBECUES EXPERT COMPACT -  
CLASSIC - PLUS - EXPERT - TRADITION  
- DELUXE - WOODY  
MOD. 2002/03**

FOR SIDE STOVE,  
CF. SPECIFIC SCHEME  
POUR RECHAUD LATERAL,  
VOIR ECLATE SPECIFIQUE



**BARBECUES EXPERT COMPACT -  
CLASSIC - PLUS - EXPERT -TRADITION -  
DELUXE - WOODY  
MOD. 2002/03**



| REF.  | POINTS | GB DESIGNATIONS                      | DESIGNATIONS F                       | COMPACT | CLASSIC | PLUS | TRADITION | EXPERT | DELUXE | WOODY |
|-------|--------|--------------------------------------|--------------------------------------|---------|---------|------|-----------|--------|--------|-------|
| 31897 | 50     | WHEEL DIAMETER 175 (X 1)             | ROUE DIAMETRE 175 (X 1)              | X       | X       | X    | X         | X      | X      | X     |
| 31906 | 30     | CYLINDER STRAP                       | SANGLE BOUTEILLE                     | X       | X       | X    | X         | X      | X      | X     |
| 36948 | 60     | SIMPLE IGNITER                       | PIEZO SIMPLE                         | X       | X       | X    | X         | X      |        | X     |
| 39989 | 50     | WHEEL AXIS                           | AXE DE ROUE                          |         |         |      |           |        |        | X     |
| 40019 | 50     | JET                                  | INJECTEUR                            |         |         |      |           | X      | X      |       |
| 40500 | 40     | GREASE CAN + WIRE                    | BOITE A GRAISSE + FIL                | X       | X       | X    | X         | X      | X      | X     |
| 61294 | 120    | NICKEL CHROME COOKING GRATE          | GRILLE DE CUISSON CHROME             | X       | X       | X    | X         | X      | X      | X     |
| 61295 | 90     | LAVA ROCK GRATE                      | GRILLE PIERRE DE LAVE                | X       | X       | X    | X         | X      | X      | X     |
| 61298 | 165    | BURNER 28 MBAR                       | BRULEUR 28 MBAR                      |         |         |      |           | X      | X      | X     |
| 61299 | 295    | BOTTOM                               | CUVE                                 | X       | X       | X    | X         | X      | X      | X     |
| 61313 | 80     | SET OF 3 PLANKS                      | JEU DE 3 LATTES                      |         | X       | X    | X         | X      | X      |       |
| 61325 | 83     | DOUBLE IGNITOR                       | PIEZO DOUBLE                         |         |         |      |           |        | X      |       |
| 61337 | 30     | AXLE WHEEL                           | AXE DE ROUE                          | X       | X       | X    | X         | X      | X      |       |
| 61491 | 700    | FULL WOOD CARRIAGE - BEECH           | CHARIOT PREEMBALLE EN HETRE          |         |         |      |           |        |        | X     |
| 61496 | 70     | GREY "U" TUBE                        | TUBE EN "U" GRIS                     |         |         |      |           |        |        | X     |
| 61497 | 50     | CYLINDER SUPPORT                     | SUPPORT BOUTEILLE                    |         |         |      |           |        |        | X     |
| 61498 | 150    | GAS PIPE 28 MB- 1/2"                 | TUBULURE COMPLETE 28MB -1/2"         |         |         |      |           | X      |        | X     |
| 61499 | 150    | GAS PIPE 50 MB- 1/4"                 | TUBULURE COMPLETE 50MB-1/4"          |         |         |      |           | X      |        | X     |
| 61501 | 100    | YELLOW/BROWN CYLINDER COVER          | JUPE CACHE BOUT.JAUNE/MARRON         |         |         |      |           |        |        | X     |
| 61503 | 50     | LID HINGE SET (X 2)                  | CHARNIERES+AXE x 2 COUVERCLE         | X       | X       | X    |           | X      | X      | X     |
| 61504 | 100    | SCREW BAG FULL WOOD CARRIAGE         | SACHET VISSERIE CHARIOT BOIS         |         |         |      |           |        |        | X     |
| 63183 | 100    | FRONTAL BASKET                       | PANIER FRONTAL                       |         |         |      |           |        | X      |       |
| 63185 | 90     | TUBE HANDLE COMPACT                  | POIGNEE TUBE COMPACT                 | X       |         |      |           |        |        |       |
| 63558 | 30     | JET                                  | INJECTEUR                            |         |         |      |           | X      | X      | X     |
| 64200 | 30     | KNOBS (X 2)                          | VOLANTS (X2)                         | X       | X       | X    | X         | X      | X      | X     |
| 65054 | 290    | LID                                  | COUVERCLE                            |         |         | X    |           | X      | X      | X     |
| 65058 | 55     | PLASTIC FRONT HANDLE                 | POIGNEE FRONTALE PLASTIQUE           | X       | X       | X    |           | X      | X      | X     |
| 65059 | 60     | GLASS SQUARE (X 2)                   | EQUERRE MAINTIEN VITRE (X2)          |         |         | X    |           | X      | X      | X     |
| 65060 | 50     | THERMOMETER                          | THERMOMETRE                          |         |         | X    |           | X      | X      | X     |
| 65064 | 260    | SIDE STOVE GAS PIPE 28MB 1/2"        | TUBULURE RECHAUD LATERAL 28MB 1/2"   |         |         |      |           |        | X      |       |
| 65079 | 80     | ARTICULATED WARMING GRID             | GRILLE DE MIJOTAGE ARTICULEE         |         |         |      |           |        | X      | X     |
| 65170 | 100    | GLASS (+ 2 SUPPORTS)                 | VITRE (+ 2 EQUERRES)                 |         |         | X    |           | X      | X      | X     |
| 66054 | 160    | WINDSHIELD                           | PAREVENT                             |         |         |      | X         |        |        |       |
| 66055 | 135    | BURNER                               | BRULEUR                              | X       | X       | X    | X         |        |        |       |
| 66340 | 30     | JET                                  | INJECTEUR                            |         |         |      |           | X      | X      | X     |
| 66360 | 50     | ELECTRODE                            | ELECTRODE                            | X       | X       | X    | X         |        |        |       |
| 67716 | 90     | UPPER U TUBE - GREY                  | TUBE U SUPERIEUR - GRIS              | X       | X       | X    | X         | X      | X      |       |
| 67717 | 90     | LOWER U TUBE - GREY                  | TUBE U INFERIEUR - GRIS              | X       | X       | X    | X         | X      | X      |       |
| 67719 | 60     | LEFT SHELF HOLDER - GREY             | SUPPORT ETAGERE GAUCHE - GRIS        |         | X       | X    | X         |        |        |       |
| 67720 | 60     | RIGHT SHELF HOLDER - GREY            | SUPPORT ETAGERE DROIT - GRIS         |         | X       | X    | X         |        |        |       |
| 67724 | 30     | FOOT                                 | PIED                                 | X       | X       | X    | X         | X      | X      |       |
| 67756 | 100    | SCREW BAG                            | SACHET DE VISSERIE                   |         | X       | X    | X         |        |        |       |
| 67757 | 30     | CYLINDER STOP WIRE                   | FIL ARRET BOUTEILLE                  | X       | X       | X    | X         | X      | X      |       |
| 67759 | 90     | SILVER FRONT PANEL                   | CONSOLE ARGENT                       |         |         |      |           | X      | X      |       |
| 67760 | 60     | LEFT SHELF HOLDER - SILVER           | SUPPORT ETAGERE GAUCHE - ARGENT      |         |         |      |           | X      | X      |       |
| 67761 | 60     | RIGHT SHELF HOLDER - SILVER          | SUPPORT ETAGERE DROIT - ARGENT       |         |         |      |           | X      | X      |       |
| 67763 | 100    | GREY FRONT PANEL                     | CONSOLE GRISE                        |         |         |      |           |        |        | X     |
| 67788 | 110    | GREY CYLINDER SUPPORT                | SUPPORT DE RESERVOIR GRIS            | X       | X       | X    | X         | X      | X      |       |
| 67804 | 120    | TAP 28 MBAR - 1/2"                   | ROBINET 28 MBAR - 1/2"               | X       | X       | X    |           |        |        |       |
| 67940 | 30     | SCREW (X 5) FOR BURNER               | VIS (x 5) POUR BRULEUR               | X       | X       | X    | X         | X      | X      | X     |
| 67965 | 30     | JET                                  | INJECTEUR                            | X       | X       | X    | X         |        |        |       |
| 68028 | 150    | GAS PIPE 28 MBAR - EXPORT NOZZLE     | TUBULURE 28 MBAR - ABOUT EXPORT      |         |         |      |           | X      |        |       |
| 68029 | 260    | SIDE STOVE PIPE 28 MB -EXPORT NOZZLE | TUBULURE RECHAUD 28 MB -ABOUT EXPORT |         |         |      |           |        | X      |       |



**BARBECUES EXPERT COMPACT -  
CLASSIC - PLUS - EXPERT -TRADITION -  
DELUXE - WOODY  
MOD. 2002/03**

| REF.  | POINTS | GB DESIGNATIONS                                 | DESIGNATIONS F                     | COMPACT | CLASSIC | PLUS | TRADITION | EXPERT | DELUXE | WOODY |
|-------|--------|---|------------------------------------|---------|---------|------|-----------|--------|--------|-------|
| 68943 | 90     | TAP 28 MB WITH EXPORT NOZZLE                    | ROBINET 28 MB- ABOUT EXPORT        | X       | X       | X    | X         |        |        |       |
| 69210 | 150    | BURNER 50 MBAR                                  | BRULEUR 50 MBAR                    |         |         |      |           | X      | X      | X     |
| 69229 | 260    | CAST-IRON BURNER 28 MB                          | BRULEUR FONTE 28 MB                | X       | X       | X    | X         | X      | X      | X     |
| 69239 | 220    | CAST-IRON BURNER 50 MB                          | BRULEUR FONTE 50 MB                | X       | X       | X    | X         | X      | X      | X     |
| 70279 | 50     | ELECTRODE + HOLDER                              | ELECTRODE + CACHE ELECTRODE        |         |         |      |           | X      | X      | X     |
| 70308 | 220    | ACCESSORY BURNER ELDORADO/EXPERT                | ACCESSOIRE BRULEUR ELDORADO/EXPERT |         |         |      |           | X      | X      | X     |
| 67758 | 90     | PACKAGING                                       | EMBALLAGE                          | X       | X       | X    |           |        |        |       |
|       | O      | POUR RECHAUD LATERAL VOIR ECLATE RECHAUD EXPERT |                                    |         |         |      |           |        | X      |       |
|       |        | FOR SIDE STOVE SEE SIDE STOVE SCHEME OF EXPERT  |                                    |         |         |      |           |        | X      |       |