

**BARBECUES EXPERT - PLUS - DELUXE -
WOODY - TRADITION - MOD. 2000/01 &
EASY**



EXPERT - EXPERT PLUS



EXPERT TRADITION



EXPERT EASY



EXPERT WOODY

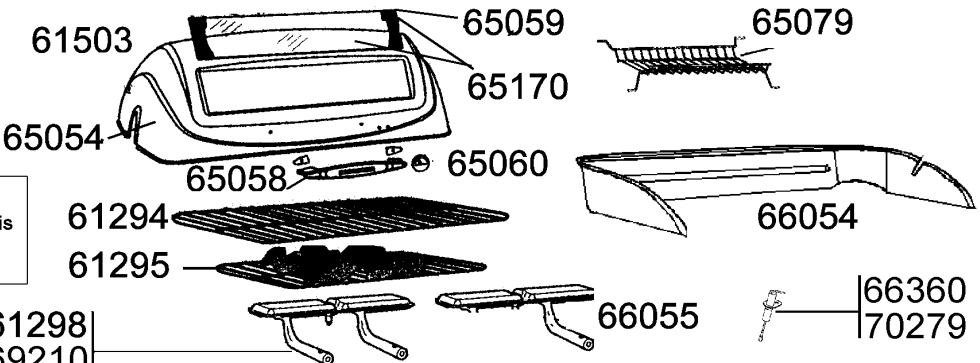


EXPERT DELUXE

**BARBECUES EXPERT - PLUS - DELUXE -
WOODY - TRADITION - MOD. 2000/01 &
EASY**

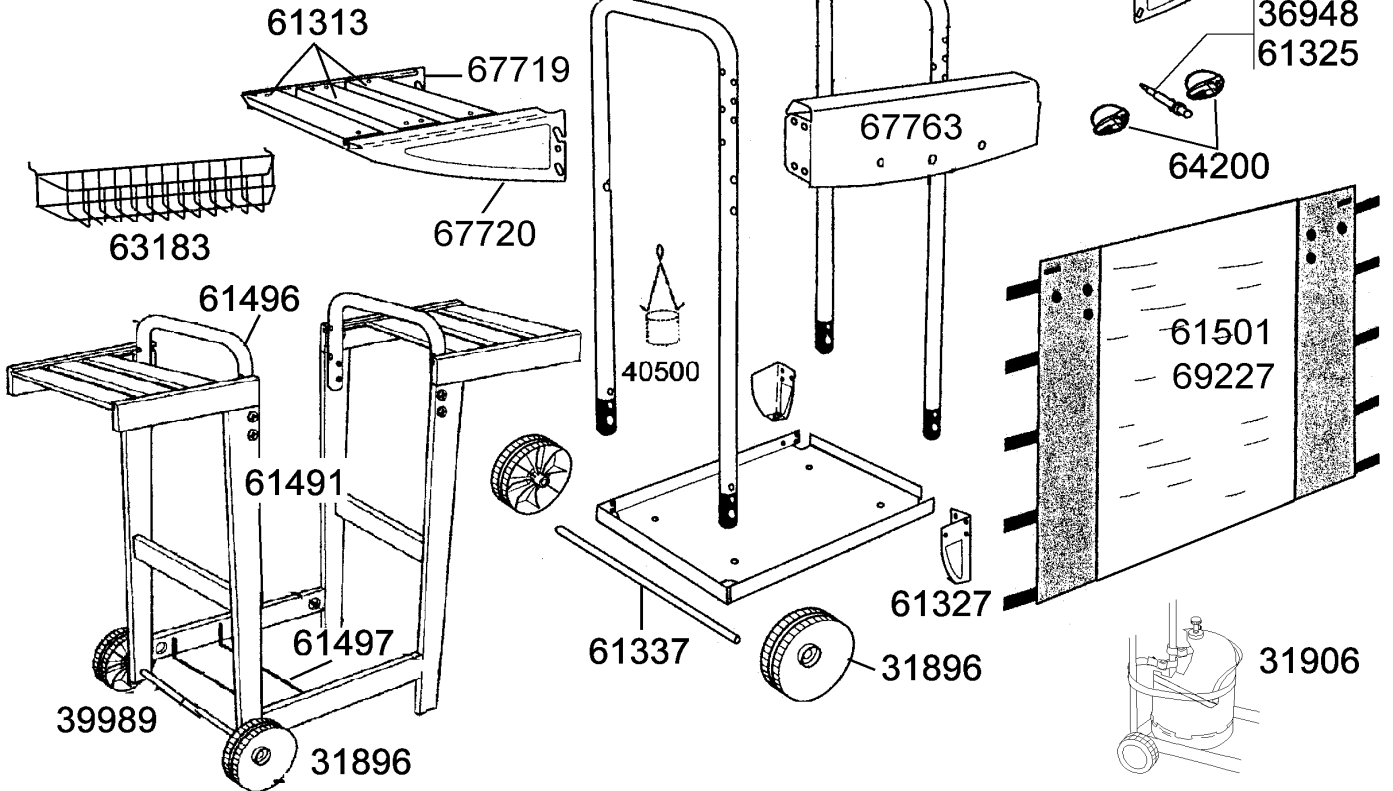


Screw bag For wooden trolley
Sachet visserie Pour chariot bois
61504



JETS / INJECTEURS
63558 (28 Mbar) 61498
66340 (50 Mbar) 61499
65064

JET / INJECTEUR
31841 (50 Mbar)



**BARBECUES EXPERT - PLUS - DELUXE -
WOODY - TRADITION - MOD.2000/01 &
EASY**



REF.	POINTS	GB - DESIGNATIONS	DESIGNATIONS - F -	EXPERT - EXPERT PLUS & EASY	EXPERT DELUXE	EXPERT TRADITION	EXPERT WOODY
31841	30	JET	INJECTEUR			X	
31896	50	WHEEL DIAMETER 150 (X 1)	ROUE DIAMETRE 150 (X 1)	X	X	X	X
31906	30	CYLINDER STRAP	SANGLE BOUTEILLE	X	X	X	X
36948	60	SIMPLE IGNITER	PIEZO SIMPLE	X		X	X
39989	50	WHEEL AXIS	AXE DE ROUE				X
40500	40	GREASE CAN + WIRE	BOITE A GRAISSE + FIL	X	X	X	X
61294	120	NICKEL CHROME COOKING GRATE	GRILLE DE CUISSON CHROMEE	X	X	X	X
61295	90	LAVA ROCK GRATE	GRILLE PIERRE DE LAVE	X	X	X	X
61298	165	BURNER 28 MBAR	BRULEUR 28 MBAR	X	X		X
61299	295	BOTTOM	CUVE	X	X	X	X
61313	80	SET OF 3 PLANKS	JEU DE 3 LATTES	X	X	X	
61325	83	DOUBLE IGNITOR	PIEZO DOUBLE		X		
61327	70	GREY FOOT	PIED TOLE GRIS	X	X	X	
61337	30	AXLE WHEEL	AXE DE ROUE	X	X	X	
61491	700	FULL WOOD CARRIAGE - BEECH	CHARIOT PREEMBALLÉ EN HETRE				X
61496	70	GREY "U" TUBE	TUBE EN "U" GRIS				X
61497	50	CYLINDER SUPPORT	SUPPORT BOUTEILLE				X
61498	150	GAS PIPE 28 MB- 1/2"	TUBULURE COMPLETE 28MB -1/2"	X			X
61499	150	GAS PIPE 50 MB- 1/4"	TUBULURE COMPLETE 50MB-1/4"	X			
61501	100	YELLOW/BROWN CYLINDER COVER	JUPE CACHE BOUT.JAUNE/MARRON				X
61503	50	LID HINGE SET (X 2)	CHARNIERES+AXE x 2 COUVERCLE	X	X		X
61504	100	SCREW BAG FULL WOOD CARRIAGE	SACHET VISSERIE CHARIOT BOIS				X
63183	100	FRONTAL BASKET	PANIER FRONTAL	X	X		
63558	30	JET	INJECTEUR	X	X		X
64200	30	KNOBS (X 2)	VOLANTS (X2)	X	X	X	X
65054	290	LID	COUVERCLE	X	X		X
65058	55	PLASTIC FRONT HANDLE	POIGNEE FRONTALE PLASTIQUE	X	X		X
65059	60	GLASS SQUARE (X 2)	EQUERRE MAINTIEN VITRE (X2)	X	X		X
65060	50	THERMOMETER	THERMOMETRE	X	X		X
65064	260	SIDE STOVE GAS PIPE 28MB 1/2"	TUBULURE RECHAUD LATERAL 28MB 1/2"		X		
65079	80	ARTICULATED WARMING GRID	GRILLE DE MIJOTAGE ARTICULEE	X	X		X
65170	100	GLASS (+ 2 SUPPORTS)	VITRE (+ 2 EQUERRES)	X	X		X
66054	160	WINDSHIELD	PAREVENT			X	
66055	135	BURNER	BRULEUR			X	
66340	30	JET	INJECTEUR	X	X		X
66360	50	ELECTRODE	ELECTRODE			X	
67719	60	LEFT SHELF HOLDER - GREY	SUPPORT ETAGERE GAUCHE - GRIS			X	
67720	60	RIGHT SHELF HOLDER - GREY	SUPPORT ETAGERE DROIT - GRIS			X	
67763	100	GREY FRONT PANEL	CONSOLE GRISE				X
67940	30	SCREW (X 5) FOR BURNER	VIS (x 5) POUR BRULEUR	X	X	X	X
69210	150	BURNER 50 MBAR	BRULEUR 50 MBAR	X	X		X
69227	110	CYLINDER COVER	JUPE	X	X	X	X
70279	50	ELECTRODE + HOLDER	ELECTRODE + CACHE ELECTRODE	X	X		X
70308	220	ACCESSORY BURNER ELDORADO/EXPERT	ACCESSOIRE BRULEUR ELDORADO/EXPERT	X	X		X
	O	POUR RECHAUD LATERAL VOIR ECLATE RECHAUD EXPERT DELUXE FOR SIDE STOVE SEE SIDE STOVE SCHEME OF EXPERT DELUXE					