

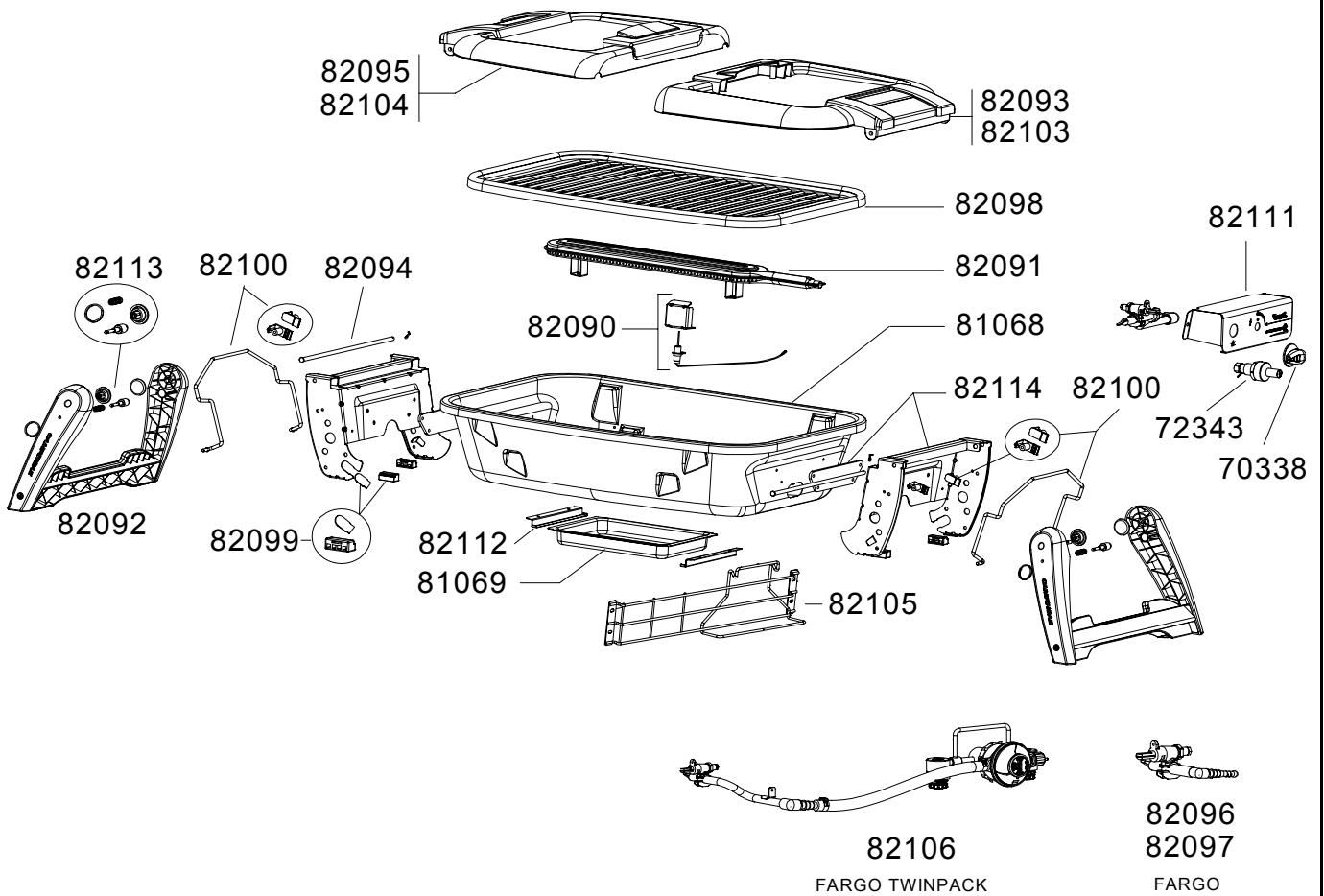
BARBECUES FARGO & FARGO TWINPACK



FARGO



FARGO TWINPACK





**BARBECUES FARGO & FARGO
TWINPACK**

| REF . | POINTS | GB DESIGNATIONS | DESIGNATIONS F | FARGO | FARGOTWINPACK |
|-------|--------|----------------------------------|-------------------------------------|-------|---------------|
| 70338 | 30 | KNOBS (X2) | VOLANTS (x2) | X | X |
| 72343 | 70 | PIEZO ONE OUTLET(+ NUT) | PIEZO SIMPLE (+ ECROU) | X | X |
| 81068 | 320 | BOTTOM | CUVE | X | X |
| 81069 | 70 | GREASE TRAY | BAC A GRAISSE | X | X |
| 82090 | 70 | ELECTRODE + HOLDER | ELECTRODE + SUPPORT | X | X |
| 82091 | 220 | BURNER | BRULEUR | X | X |
| 82092 | 80 | LEG | PIED | X | X |
| 82093 | 120 | RIGHT SIDE SHELF - SILVER | TABLETTE DROITE - ARGENT | X | |
| 82094 | 60 | SHELF AXLE | AXE TABLETTE | X | X |
| 82095 | 120 | LEFT SIDE SHELF - SILVER | TABLETTE GAUCHE - ARGENT | X | |
| 82096 | 200 | GAS PIPE 28 MB EXPORT | TUBULURE 28 MB EXPORT | X | |
| 82097 | 200 | GAS PIPE 50 MB - 1/4" (D) & (CH) | TUBULURE 50 MB - 1/4" (D) & (CH) | X | |
| 82098 | 100 | ENAMELLED COOKING GRID | GRILLE CUISSON EMAILLEE | X | X |
| 82099 | 60 | FOOT PAD (X4) + PLUGS | PATINS PLASTIQUES (X4) + CACHES | X | X |
| 82100 | 60 | WIRE SHELF HOLDER (X2) + 4 CLIPS | FIL SUPPORT ETAGERE (X2) + 4 CLIPS | X | X |
| 82103 | 110 | RIGHT SIDE SHELF - BLUE | TABLETTE DROITE - BLEUE | | X |
| 82104 | 110 | LEFT SIDE SHELF - BLUE | TABLETTE GAUCHE - BLEUE | | X |
| 82105 | 60 | PROTECTION GRID | GRILLE DE PROTECTION | X | X |
| 82106 | 430 | GAS ASSEMBLY | ENSEMBLE GAZ | | X |
| 82111 | 80 | CONTROL PANEL | CONSOLE | X | X |
| 82112 | 60 | GREASE TRAY SLIDE (X2) | GLISSIERE TIROIR GRAISSE (X2) | X | X |
| 82113 | 50 | KIT LOCKING FOOT | ENSEMBLE VERROUILLAGE PIED | X | X |
| 82114 | 100 | BRACKET + INSULATING PLATE | SUPPORT EQUERRE + ISOLANT THERMIQUE | X | X |
| 82101 | 110 | PACKAGING | EMBALLAGE | X | |
| 82102 | 110 | PACKAGING | EMBALLAGE | | X |