

**RANCHERO 9000 - 4 - & 10000  
EXCLUSIVE - MODELES 97**

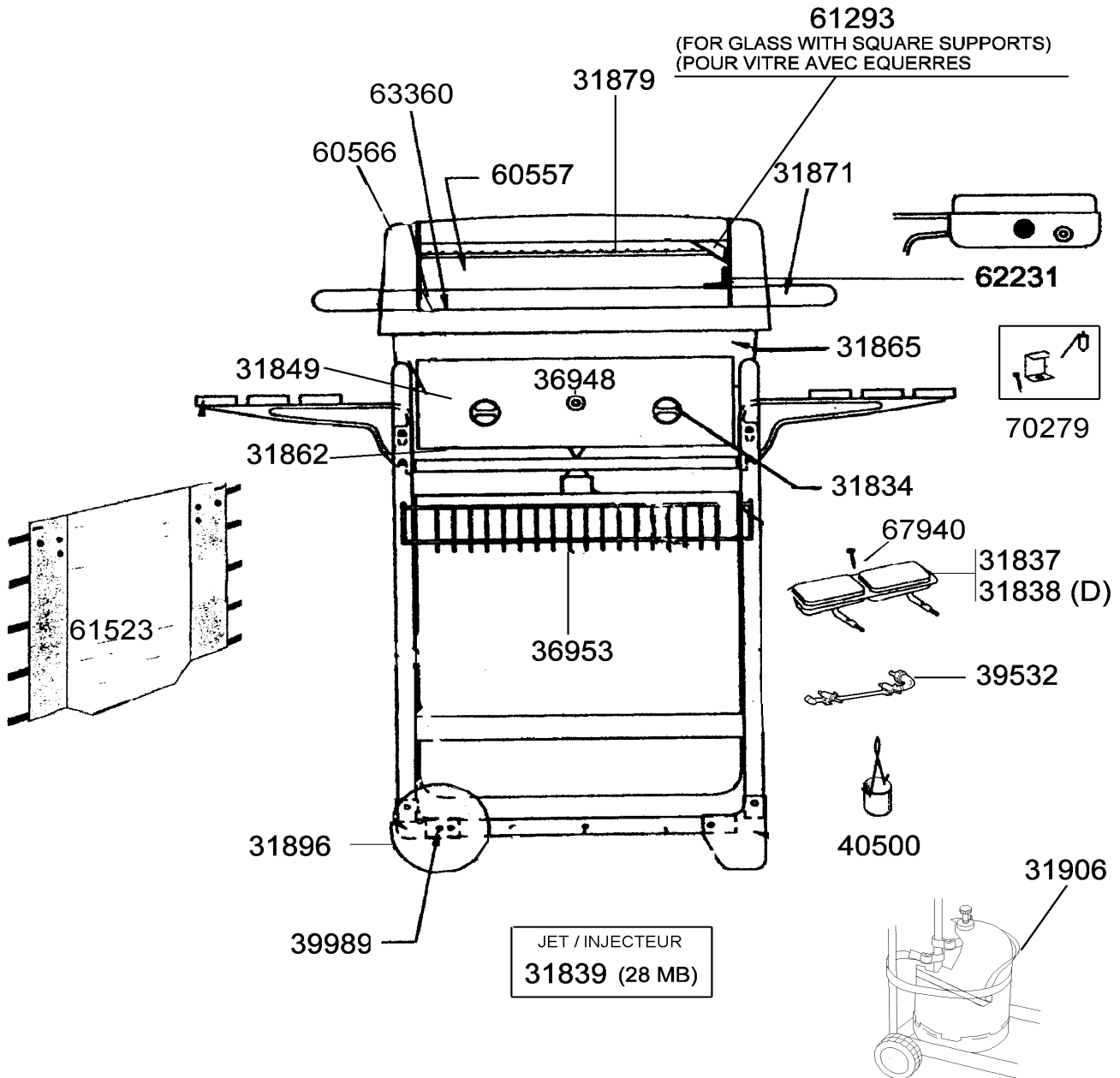


**9000 - 4 CLASSIC**



**9000 - 4 SUPER**

FOR SIDE STOVE,  
CF. SPECIFIC SCHEME  
POUR RECHAUD LATÉRAL,  
VOIR ECLATE SPECIFIQUE



**RANCHERO 9000 - 4 - & 10000  
EXCLUSIVE - MODELES 97**



REF.	POINTS	- GB - DESIGNATIONS	DESIGNATIONS - F -	CLASSIC-4 & CLASSIC -4 LB	SUPER 4	9000 EXCLUSIVE	10000 EXCLUSIVE
31834	30	FRONT PANEL KNOB (X2)	VOLANT DE CONSOLE (X2)	X	X	X	X
31837	165	BURNER	BRULEUR	X	X	X	X
31838	135	BURNER TYPE "D"	BRULEUR "ALLEMAND"	X	X	X	X
31839	30	JET	INJECTEUR	X	X	X	X
31849	320	CONTROL PANEL	CONSOLE	X	X		
31862	150	BASE BOTTOM	FOND DE CUVE	X	X	X	X
31865	650	BASE	CUVE	X	X	X	X
31871	80	HANDLE & (HANDLE GASKET)	POIGNEE+ (RONDELLE)	X	X	X	X
31879	120	CHROMED WARMING GRID	GRILLE DE MIJOTAGE CHROMEE		X		X
31896	50	WHEEL DIAMETER 150 (X 1)	ROUE DIAMETRE 150 (X 1)	X	X	X	X
31906	30	CYLINDER STRAP	SANGLE BOUTEILLE	X	X	X	X
36948	60	SIMPLE IGNITER	PIEZO SIMPLE	X	X	X	X
36953	100	FRONT BASKET	PANIER FRONTAL		X		X
39532	220	COMPLETE GAS PIPE-28 MBAR 1/2"	TUBULURE COMPLETE-28 MBAR 1/2"	X	X	X	X
39989	50	WHEEL AXIS	AXE DE ROUE	X	X	X	X
40500	40	GREASE CAN + WIRE	BOITE A GRAISSE + FIL	X	X	X	X
60557	150	GLASS +(SUPPORT X4)	VITRE + (EQUERRE X4)	X	X	X	X
60566	90	LAVA ROCK GRATE	GRILLE PIERRE DE LAVE	X	X	X	X
61293	65	ANGULAR THERMOMETER	THERMOMETRE D'ANGLE	X	X	X	X
61523	120	FRONT COVER (GREY/YELLOW)	JUPE TEXTILE (GRISE/JAUNE)	X	X	X	X
62231	60	GLASS SQUARE SUPPORT (X4)	EQUERRE VITRE (X4)	X	X	X	X
63360	80	HALF COOKING CHROMED GRID	DEMI GRILLE CUISSON CHROMEE	X	X	X	X
67940	30	SCREW (X 5) FOR BURNER	VIS (x 5) POUR BRULEUR	X	X	X	X
70279	50	ELECTRODE + HOLDER	ELECTRODE + CACHE ELECTRODE	X	X	X	X
	<b>O</b>	<b>POUR PIECES DU RECHAUD LATERAL VOIR PLANCHE DU RECHAUD RANCHERO</b>					X
		<b>FOR SIDE STOVE SEE RANCHERO STOVE SCHEME</b>					