

**RANCHEROS  
MAXI - ULTRA - GRANDE**



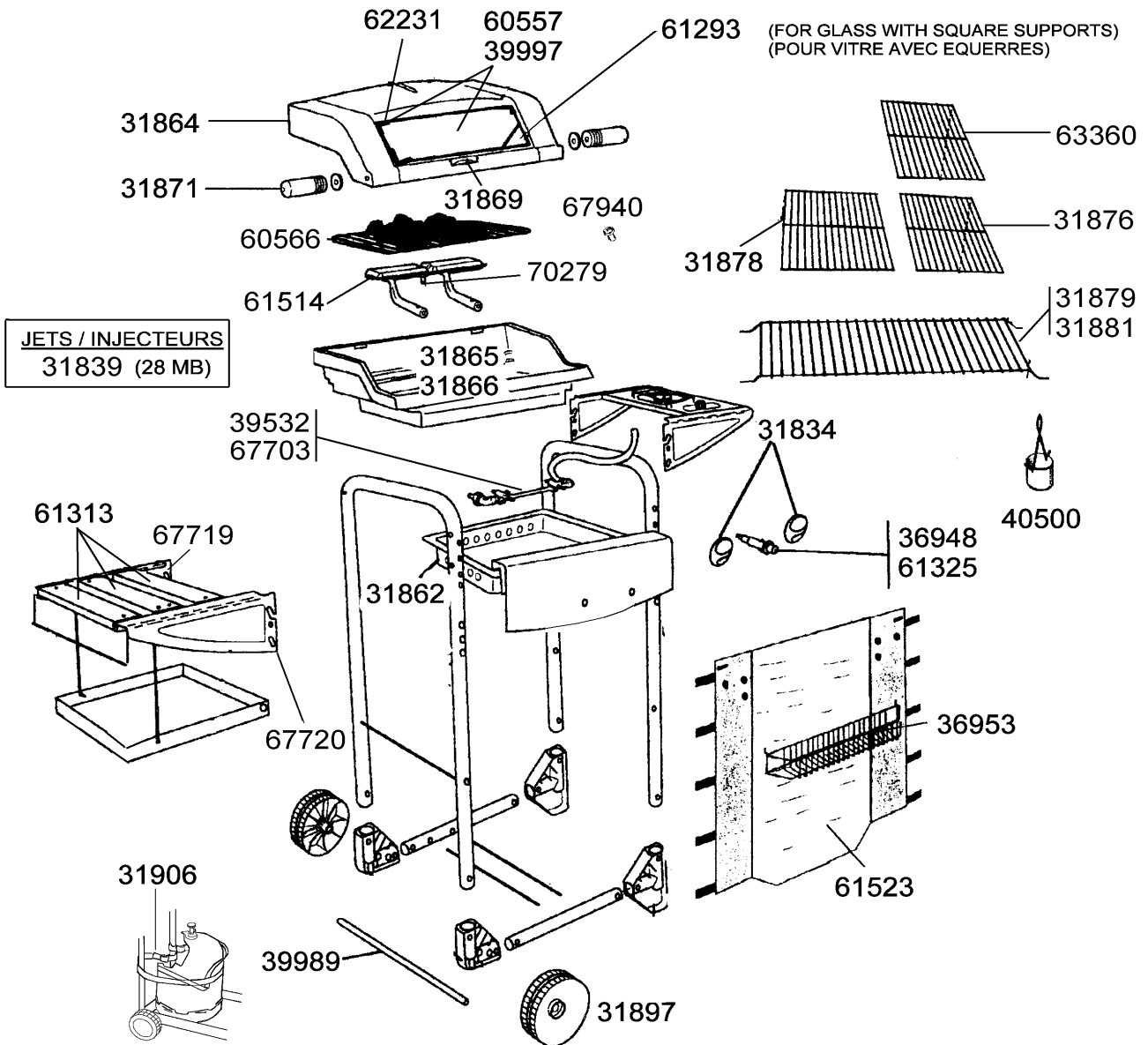
**MAXI**



**ULTRA**



**GRANDE**



**RANCHEROS  
MAXI - ULTRA - GRANDE**



REF.	POINTS	GB - DESIGNATIONS	DESIGNATIONS - F	MAXI	ULTRA	GRANDE
31834	30	FRONT PANEL KNOB (X2)	VOLANT DE CONSOLE (X2)	X	X	X
31839	30	JET	INJECTEUR	X		
31862	150	BASE BOTTOM	FOND DE CUVE	X	X	X
31864	540	LID	COUVERCLE			X
31865	650	BASE	CUVE	X	X	
31866	740	BASE	CUVE			X
31869	80	RECTANGULAR THERMOMETER	THERMOMETRE RECTANGULAIRE			X
31871	80	HANDLE & (HANDLE GASKET)	POIGNEE+ (RONDELLE)	X	X	X
31876	150	ENAMELLED COOKING GRATE (SM)	GRILLE CUISSON EMAILLEE (PM)			X
31878	160	ENAMELLED COOKING GRID (LM)	GRILLE CUISSON EMAILLEE (GM)			X
31879	120	CHROMED WARMING GRID	GRILLE DE MIJOTAGE CHROMEE	X	X	
31881	80	CHROMED WARMING GRID	GRILLE DE MIJOTAGE CHROMEE			X
31897	50	WHEEL DIAMETER 175 (X 1)	ROUE DIAMETRE 175 (X 1)	X	X	X
31906	30	CYLINDER STRAP	SANGLE BOUTEILLE	X	X	X
36948	60	SIMPLE IGNITER	PIEZO SIMPLE	X		
36953	100	FRONT BASKET	PANIER FRONTAL		X	X
39532	220	COMPLETE GAS PIPE-28 MBAR 1/2"	TUBULURE COMPLETE-28 MBAR 1/2"	X		
39989	50	WHEEL AXIS	AXE DE ROUE	X	X	X
39997	120	GLASS + (SUPPORT X4)	VITRE+ (EQUERRE X4)			X
40500	40	GREASE CAN + WIRE	BOITE A GRAISSE + FIL	X	X	X
60557	150	GLASS +(SUPPORT X4)	VITRE + (EQUERRE X4)	X	X	
60566	90	LAVA ROCK GRATE	GRILLE PIERRE DE LAVE	X	X	X
61293	65	ANGULAR THERMOMETER	THERMOMETRE D'ANGLE	X	X	
61313	80	SET OF 3 PLANKS	JEU DE 3 LATTES	X	X	X
61325	83	DOUBLE IGNITOR	PIEZO DOUBLE		X	X
61514	170	RANCHERO BURNER 28 & 50 MBAR	BRULEUR RANCHERO 28 & 50 MBAR	X	X	X
61523	120	FRONT COVER (GREY/YELLOW)	JUPE TEXTILE (GRISE/JAUNE)	X	X	X
62231	60	GLASS SQUARE SUPPORT (X4)	EQUERRE VITRE (X4)	X	X	X
63360	80	HALF COOKING CHROMED GRID	DEMI GRILLE CUISSON CHROMEE	X	X	
67703	140	GAS PIPE 28 MB 1/4" - CH WITHOUT STOVE	TUBULURE 28MB 1/4"- CH SANS RECHAUD			X
67719	60	LEFT SHELF HOLDER - GREY	SUPPORT ETAGERE GAUCHE - GRIS			X
67720	60	RIGHT SHELF HOLDER - GREY	SUPPORT ETAGERE DROIT - GRIS			X
67940	30	SCREW (X 5) FOR BURNER	VIS (x 5) POUR BRULEUR	X	X	X
70279	50	ELECTRODE + HOLDER	ELECTRODE + CACHE ELECTRODE	X	X	X
<b>O</b>		<b>POUR PIECES DE RECHAUD LATERAL VOIR PLANCHE DU RECHAUD RANCHERO FOR SIDE STOVE SEE RANCHERO STOVE SCHEME</b>			X	X